

# QPD W4X2,5 M25 FC GY - Panel feed-through



1424010

<https://www.phoenixcontact.com/us/products/1424010>

Please be informed that the data shown in this PDF document is generated from our online catalog. Please find the complete data in the user documentation. Our general terms of use for downloads are valid.



Panel feed-through, QUICKON connection, 1 mm<sup>2</sup> ... 2.5 mm<sup>2</sup>, 690 V, 20 A, gray, without QUICKON nut, assembly thread: M25, Spade connection, 2.5 mm<sup>2</sup>

## Your advantages

- Innovative and time saving - QUICKON fast connection for time saving of up to 80 % for on-site connection
- Robust throughout: housing with IP68/IP69K and IK07 protection for a wide range of applications
- Safer connection with mechanical coding to protect against mismatching, and touch-proof protection in accordance with DIN EN 0105
- Efficient - by using panel feed-throughs, devices no longer need to be opened in order to connect cables

## Commercial data

Item number	1424010
Packing unit	1 pc
Minimum order quantity	1 pc
Sales key	BF50
Product key	BF6ABB
GTIN	4055626366258
Weight per piece (including packing)	22.22 g
Weight per piece (excluding packing)	22.22 g
Customs tariff number	85366990
Country of origin	PL

# QPD W4X2,5 M25 FC GY - Panel feed-through



1424010

<https://www.phoenixcontact.com/us/products/1424010>

## Technical data

### Product properties

Type	QPD 4x2,5
Product type	Panel feed-through
Product family	QPD
Number of positions	4
Position marking	1, 2, 3, 4
Number of connections per position	1
Series	QPD
Coding	coded

### Insulation characteristics

Overvoltage category	III
Degree of pollution	3

### Connection data

#### Connection technology

Connection technology	QUICKON connection
Connection system, internal	IDC connection
Frequency of connections between conductors of the same cross section	max. 10

#### Conductor connection

Conductor cross section flexibel	1 mm <sup>2</sup> ... 2.5 mm <sup>2</sup>
Conductor cross section solid	1 mm <sup>2</sup> ... 2.5 mm <sup>2</sup>
Connection cross section AWG	16 ... 14
Tightening torque, union nut	7 Nm
Tightening torque, counter nut	5 Nm

### Dimensions

Dimensional drawing	
Width	30 mm
Height	30 mm
Length	47.7 mm
Diameter	30 mm

### Electrical properties

Rated surge voltage (II/2)	6 kV
Rated surge voltage (III/2)	6 kV
Rated surge voltage (III/3)	6 kV

# QPD W4X2,5 M25 FC GY - Panel feed-through



1424010

<https://www.phoenixcontact.com/us/products/1424010>

Rated current	20 A
Contact resistance	< 3 mΩ
rated voltage (II/2)	1000 V
rated voltage (III/2)	690 V
Rated voltage (III/3)	690 V
Nominal voltage $U_N$	690 V AC
	690 V DC
Nominal current $I_N$	20 A

## Mechanical properties

### Mechanical data

Insertion/withdrawal cycles	max. 50
-----------------------------	---------

## Material specifications

Material	PA
Flammability rating according to UL 94	V0
Contact material	Cu
Contact surface material	silver-plated
Contact carrier material	PA

## Cable/line

Structure of individual litz in acc. with VDE 0295 / smallest wire diameter	VDE 0295 class 1 to 6/min. 0.15 mm
Wire diameter including insulation	2 mm ... 3.6 mm
Position marking	1, 2, 3, 4
Material wire insulation	PVC/PE/TPE/rubber
Halogen-free	yes

## Mounting

Mounting type	Front mounting M25
Connection method	Spade connection

## Environmental and real-life conditions

### Ambient conditions

Degree of protection	IP66
	IP68 (2 m / 24 h)
	IP69K
Ambient temperature (operation)	-40 °C ... 100 °C
Temperature when conductor connected	-5 °C ... 50 °C
Ambient temperature (storage/transport)	-40 °C ... 100 °C

# QPD W4X2,5 M25 FC GY - Panel feed-through

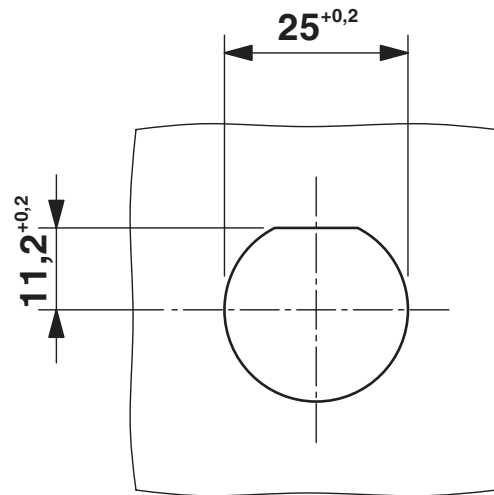


1424010

<https://www.phoenixcontact.com/us/products/1424010>

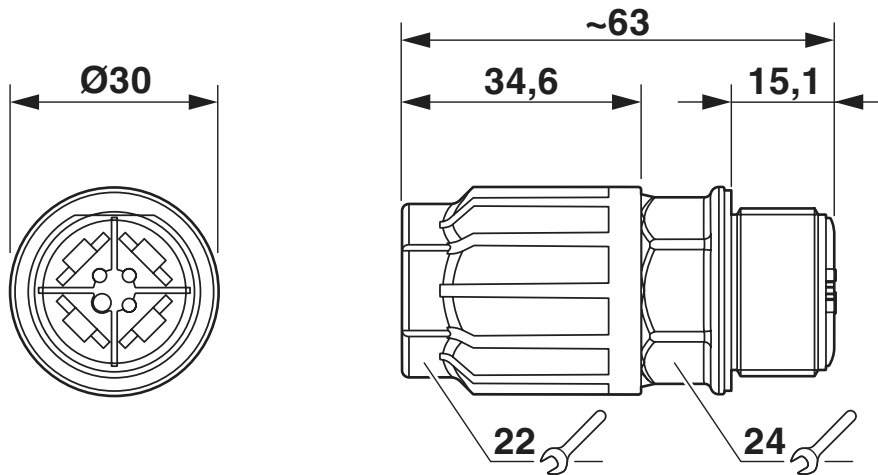
## Drawings

Dimensional drawing



Panel cutout

Dimensional drawing



# QPD W4X2,5 M25 FC GY - Panel feed-through



1424010

<https://www.phoenixcontact.com/us/products/1424010>

## Approvals

To download certificates, visit the product detail page: <https://www.phoenixcontact.com/us/products/1424010>



**IECEE CB Scheme**  
Approval ID: DE1-65875



**EAC**  
Approval ID: RU C-DE.BL08.B.00511



**VDE Zeichengenehmigung**  
Approval ID: 40029149

	Nominal voltage $U_N$	Nominal current $I_N$	Cross section AWG	Cross section $\text{mm}^2$
Only flexible conductors	400 V	20 A	-	1.5 - 2.5
Only rigid conductors	690 V	20 A	-	1.5 - 2.5

# QPD W4X2,5 M25 FC GY - Panel feed-through



1424010

<https://www.phoenixcontact.com/us/products/1424010>

## Classifications

### ECLASS

ECLASS-11.0	27440602
ECLASS-12.0	27440602
ECLASS-13.0	27440602

### ETIM

ETIM 8.0	EC002566
----------	----------

### UNSPSC

UNSPSC 21.0	39121500
-------------	----------

# QPD W4X2,5 M25 FC GY - Panel feed-through



1424010

<https://www.phoenixcontact.com/us/products/1424010>

## Environmental product compliance

China RoHS	Environmentally friendly use period: unlimited = EFUP-e
	No hazardous substances above threshold values

# QPD W4X2,5 M25 FC GY - Panel feed-through



1424010

<https://www.phoenixcontact.com/us/products/1424010>

## Accessories

### CP QPD 4X2,5 - Coding profile

1425950

<https://www.phoenixcontact.com/us/products/1425950>



Coding profile red, for pushing into the QUICKON dome and connector, can be positioned in 90° steps.

---

### QPD QSK 5X1,5 - Protective cap

1414758

<https://www.phoenixcontact.com/us/products/1414758>



Protective cap plastic, for QPD-QUICKON connection 5x 1.5 mm<sup>2</sup>, IP50



## QPD W4X2,5 M25 FC GY - Panel feed-through

1424010

<https://www.phoenixcontact.com/us/products/1424010>



## QPD QSK BK 5X1,5 FS - Protective cap

1414728

<https://www.phoenixcontact.com/us/products/1414728>

Protective cap, plastic, for QUICKON connection, black, with retaining cord, IP68



---

## Q-MU M25 - Nut

1640715

<https://www.phoenixcontact.com/us/products/1640715>

Nut (plastic) to lock the contact carrier from the inside of the device



# QPD W4X2,5 M25 FC GY - Panel feed-through

1424010

<https://www.phoenixcontact.com/us/products/1424010>



## QSS 22 - Socket wrench

1670206

<https://www.phoenixcontact.com/us/products/1670206>



Allen wrench, for loosening and fastening the QUICKON union nut, WAF 22 mm

---

Phoenix Contact 2023 © - all rights reserved

<https://www.phoenixcontact.com>

Phoenix Contact USA  
586 Fulling Mill Road  
Middletown, PA 17057, United States  
(+717) 944-1300  
[info@phoenixcon.com](mailto:info@phoenixcon.com)