

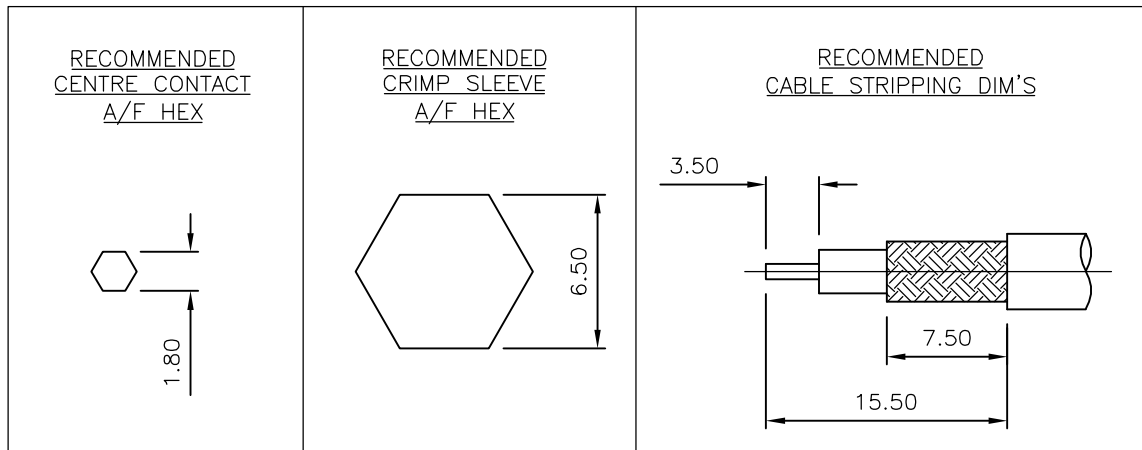
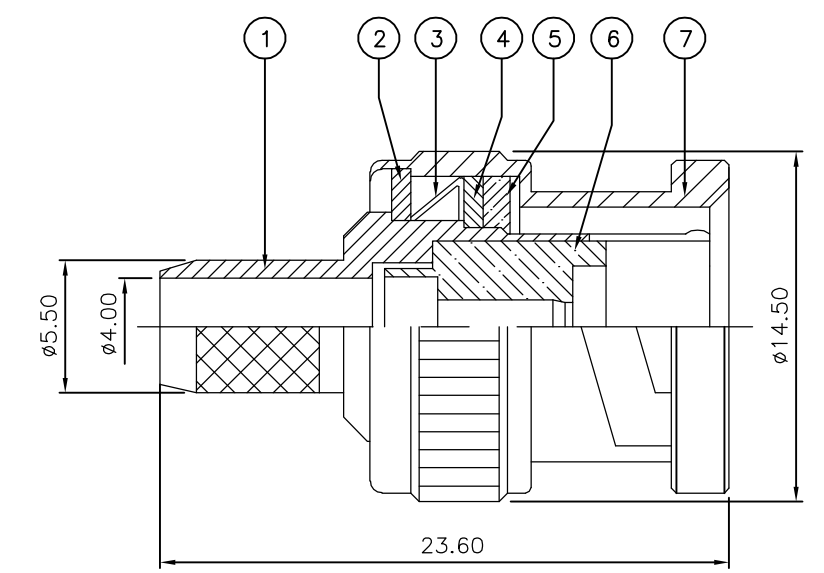
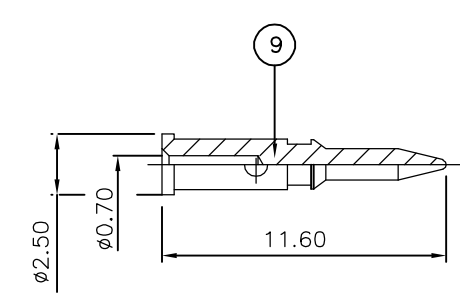
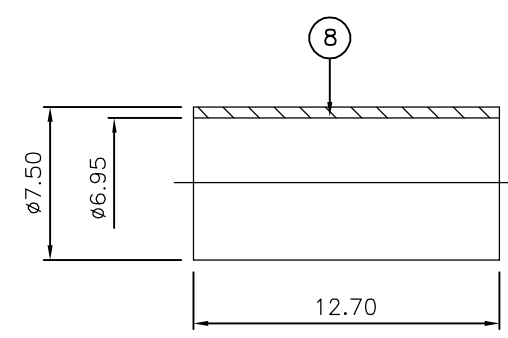
THIS DRAWING IS UNPUBLISHED. RELEASED FOR PUBLICATION JAN ,2006.
 © COPYRIGHT 2006 BY TYCO ELECTRONICS CORPORATION. ALL RIGHTS RESERVED.

LOC	DIST	REVISIONS			
P	LTR	DESCRIPTION	DATE	DWN	APVD
E	B	C	ECR-06-001518	19JAN06	JMS FWK

NOTES:

- 1 PACK IN ACCORDANCE WITH AMP SPEC 107-3275
- 2 100 TRAY PACK IN ACCORDANCE WITH AMP SPEC 107-3275
- 3 Au PLATING
- 4 Ni PLATING
- 5 THIS ITEM MUST BE WHITE
- 6 HAND TOOL : 9-1478240-0
- 7 DIE SET : 9-1478242-0
- 8 ELECTRICAL CHARACTERISTICS
 FREQUENCY RANGE: DC - 2 GHz
 NOMINAL IMPEDANCE: 75 Ohm

 INSULATION RESISTANCE: 5000 MOhm
 WORKING VOLTAGE: 500 Volts RMS at Sea Level
 DIELECTRIC WITHSTAND VOLTAGE: 1500 Volts RMS Max
 CONTACT RESISTANCE:
 CENTRE CONTACT: 1.50 mOhm Max
 OUTER CONTACT: 0.20 mOhm Max
 VSWR @ 2GHz: 1.20:1 Max
 INSERTION LOSS dB @ x 2 GHz: 0.20 Max
- 9 MECHANICAL CHARACTERISTICS
 COUPLING RETENTION FORCE: 445N Min
 CABLE RETENTION FORCE: 170N Min
 DURABILITY: 500 Cycles Min
- 10 ENVIRONMENTAL CHARACTERISTICS
 OPERATING TEMPERATURE: -65 to +165 DegC



QTY	PER ASSY	MATERIAL	DESCRIPTION	ITEM
1	1	BRASS	CONTACT	9
1	1	BRASS	FERRULE	8
1	1	BRASS	SHELL	7
1	1	PTFE	INSULATION	6
1	1	SILICONE RUBBER	GASKET	5
1	1	BRASS	RETAINING RING	4
1	1	SPRING STEEL	SPRING	3
1	1	BRASS	WASHER	2
1	1	BRASS	BODY	1
6--0	1--0			
		MATERIAL	DESCRIPTION	ITEM

THIS DRAWING IS A CONTROLLED DOCUMENT.		DWN J.SANDWELL 19JAN06	Tyco Electronics Corporation Bideford EX39 4HE	
DIMENSIONS: mm		CHK S.PARLOW 19JAN06		
		APVD F.WHEELER-KING 19JAN06	NAME BNC STRAIGHT PLUG CRIMP 75 OHM PSF1/3M,TM3304	
MATERIAL SEE TABLE		PRODUCT SPEC -	APPLICATION SPEC -	RESTRICTED TO -
		WEIGHT -	SIZE A3	CAGE CODE 00779
		FINISH -	DRAWING NO C-1337517	REV C
		CUSTOMER DRAWING	SCALE NTS	SHEET 1 OF 1