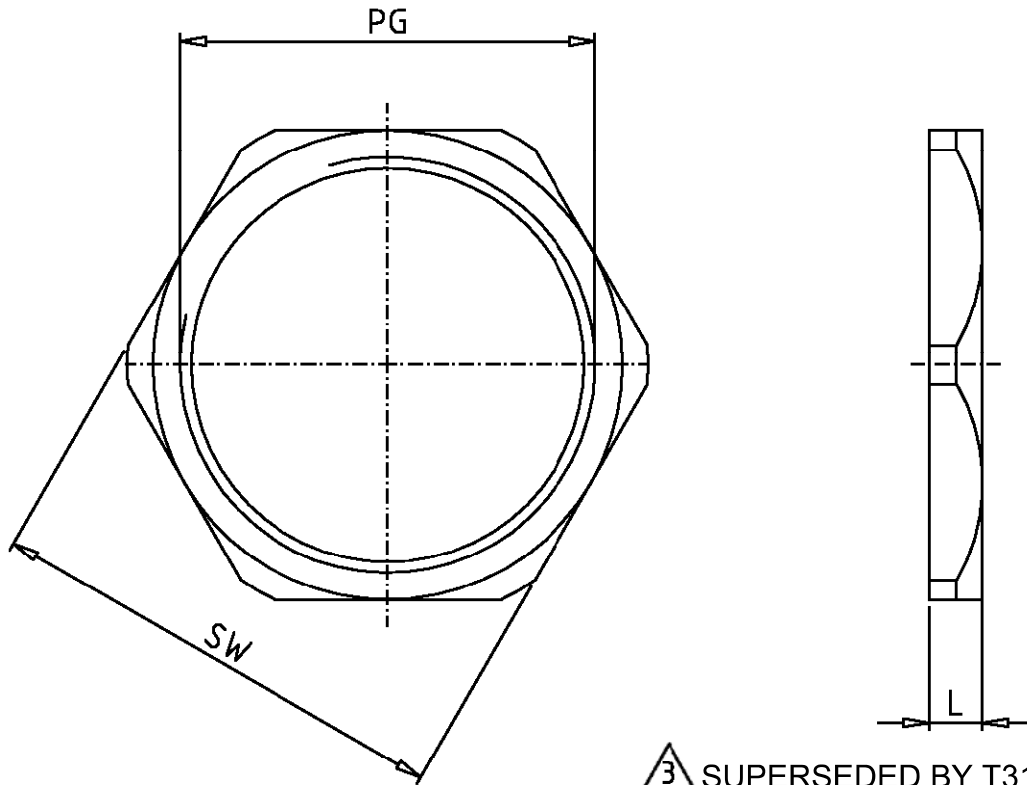


MATED WITH: PASSEND ZU:	LOC AI	DIST -	REVISIONS AENDERUNGEN				DATE	DWN	APVD
			P	LTR	DESCRIPTION BESCHREIBUNG				
PROJEKT NR.:	A3 ECR-17-014051					04APR18	SG	MKO	



- 3 SUPERSEDED BY T3161110001-000
- 4 SUPERSEDED BY T3161200050-000
- 5 SUPERSEDED BY T3161160001-000
- 6 OBSOLETE

0-1	4	GM.M20.SKT-MS	Messing/brass	vernickelt nickel plated	-	20	24	3
7-2	6	GM.42.SKT-MS	Messing/brass	vernickelt nickel plated	42	-	60	5
6-2		GM.36.SKT-MS	Messing/brass	vernickelt nickel plated	36	-	51	5
5-2		GM.29.SKT-MS	Messing/brass	vernickelt nickel plated	29	-	41	4
4-2	6	GM.21.SKT-MS	Messing/brass	vernickelt nickel plated	21	-	32	3,5
3-2	5	GM.16.SKT-MS	Messing/brass	vernickelt nickel plated	16	-	26	3
2-2	6	GM.13.SKT-MS	Messing/brass	vernickelt nickel plated	13.5	-	23	3
1-2	3	GM.11.SKT-MS	Messing/brass	vernickelt nickel plated	11	-	21	3
0-2	6	GM.9.SKT-MS	Messing/brass	vernickelt nickel plated	9	-	18	2,8

TE PART NO	DESCRIPTION	MATERIAL	SURFACE	PG	M	SW	L
------------	-------------	----------	---------	----	---	----	---

THIS DRAWING IS UNPUBLISHED. VERTRAULICHE UNVEROEFFENTLICHE ZEICHNUNG.
 BY AMP INCORPORATED. ALL RIGHTS RESERVED. ALLE RECHTE VORBEHALTEN.
 COPYRIGHT 1997

DIMENSIONS: DIMENSIONEN: mm TOLERANCES UNLESS OTHERWISE SPECIFIED: ALLGEMEINTOLERANZEN ISO 8015 ISO 2768 - mH - E DIN 16901 - 14.0 ANGLES / WINKEL #-	DWN Schneider 08.05.2000	MATERIAL -	FINISH OBERFLAECHE/FARBE -
	CHK Schweiger 08.05.2000		
APVD -	NAME GM lock nut 6-kt-Mutter		
PRODUCT SPEC PRODUKTSPEZ. -	SIZE A4	CAGE CODE 00779	DRAWING NO ZEICHNUNGS-NR. C-1106055
APPLICATION SPEC VERARBEITUNGSSPEZ. -	RESTRICTED TO NUR FUER -		
WEIGHT GEWICHT -	CUSTOMER DRAWING / KUNDENZEICHNUNG		
MASSTAB 2:1		BLATT 1	OF VON 1
		A3	