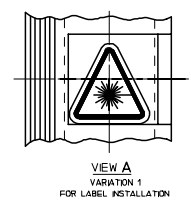
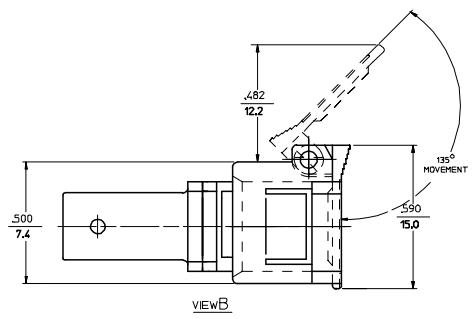
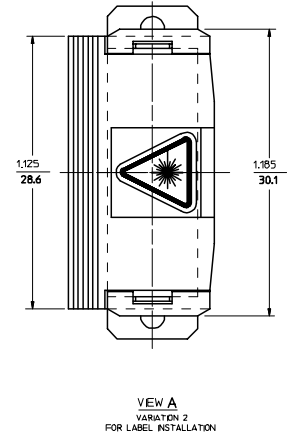
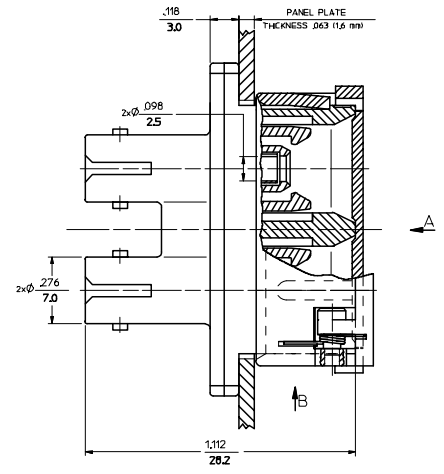
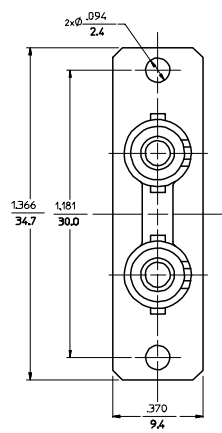
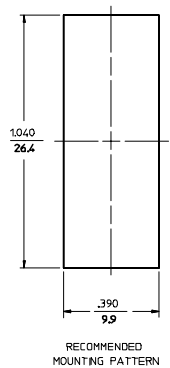


ADAPTER		SC-ST DUPLEX ADAPTER W/O MOUNTING PLATE		SHIELD ASSEMBLY	
P/N	P/N	COLOR	SLEEVE MATERIAL	P/N	COLOR
106166-500	106166-0200	BLUE	ZR	106166-0200	BLUE
106167-500	106167-0200		PHOSPHOR BRONZE		
106166-510	106166-0210	BEIGE	ZR	106166-0210	BEIGE
106167-510	106167-0210		PHOSPHOR BRONZE		
106166-530	106166-0230	BLACK	ZR	106166-0230	BLACK
106167-530	106167-0230		PHOSPHOR BRONZE		



NOTES:
1. LABEL MUST BE INSTALLED AND ORIENTED BY CUSTOMER (SEE VIEW A).
2. DUST CAPS ARE NOT SHOWN, BUT INCLUDED.

ENTER DESCRIPTION EC NO: MF2006-0237 DRAWN: P. BLIN 2005/11/29 CHKD: CHK 2005/11/29 APPR: L. GUMIN 2005/11/29	QUALITY SYMBOLS ▽=0 ▽=0	GENERAL TOLERANCES (UNLESS SPECIFIED)		DIMENSION STYLE IN/MM		SCALE 4:1	DESIGN UNITS INCH	THIRD ANGLE PROJECTION
		4 PLACES ± .005 ± .005 3 PLACES ± .005 ± .005 2 PLACES ± .005 ± .005 1 PLACE ± .005 ± .005	mm INCH ± .005 ± .005 ± .005 ± .005 ± .005 ± .005 ± .005 ± .005	DRAWN BY RPAC (FIC)	DATE 2005/10/11	TITLE SC-ST DUPLEX ADAPTER WITH SHIELD		
		ANGULAR ±1/2°		CHECKED BY DATE	APPROVED BY DATE	MOLEX INCORPORATED		
		DRAFT WHERE APPLICABLE MUST REMAIN WITHIN DIMENSIONS		MATERIAL NO. SEE TABLE	DOCUMENT NO. SD-10616X-15X0	SHEET NO. 1 OF 01		

THIS DRAWING CONTAINS INFORMATION THAT IS PROPRIETARY TO MOLEX INCORPORATED AND SHOULD NOT BE USED WITHOUT WRITTEN PERMISSION