

5745652-4 ✓ ACTIVE

AMPLIMITE | AMPLIMITE Kit

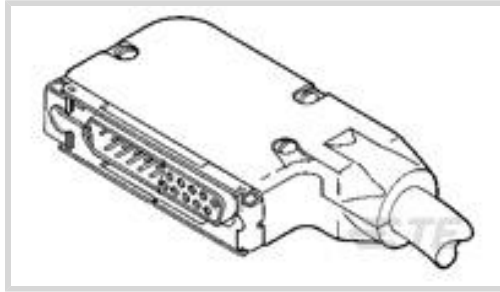
TE Internal #: 5745652-4

Shielded, Two-Piece RFI/EMI Shield, Zinc, Straight, Shell Size 2, 15
Position, AMPLIMITE Kit

[View on TE.com >](#)



Connectors > Connector Accessories > Connector Backshells



Connector Backshell Product Style: **Shielded**

Connector Backshell Product Type: **Two-Piece RFI/EMI Shield**

Primary Product Material: **Zinc**

Body Orientation: **Straight**

Compatible With Connector Shell Size: **2**

Features

Product Type Features

Connector Backshell Product Style	Shielded
Connector Backshell Product Type	Two-Piece RFI/EMI Shield

Configuration Features

Number of Positions	15
---------------------	----

Body Features

Primary Product Material	Zinc
Primary Product Plating Material	Nickel over Copper

Mechanical Attachment

Mating Retention Type	Slide Latch
Thread Size	4-40

Housing Features

Body Orientation	Straight
Compatible With Connector Shape	D-Shaped

Dimensions

Compatible Insulation Diameter Range	5.72 mm[.225 in]
--------------------------------------	------------------

Usage Conditions

Operating Temperature Range	-55 – 105 °C[-67 – 221 °F]
-----------------------------	----------------------------

Operation/Application



Compatible With Connector Shell Size	2
--------------------------------------	---

Packaging Features

Packaging Quantity	1
Packaging Method	Bag

Other

Connector Accessory Comment	All parts are packaged unassembled., Each kits is comprised of a two-piece shield with three pan head screws and a slide latch with two 4-40 slide latch screws.
-----------------------------	--

Product Compliance

[For compliance documentation, visit the product page on TE.com>](#)

EU RoHS Directive 2011/65/EU	Compliant with Exemptions
EU ELV Directive 2000/53/EC	Out of Scope
China RoHS 2 Directive MIIT Order No 32, 2016	Restricted Materials Above Threshold
EU REACH Regulation (EC) No. 1907/2006	Current ECHA Candidate List: JUNE 2023 (235) Candidate List Declared Against: JAN 2023 (233) SVHC > Threshold: Pb (.35% in Component Part) Article Safe Usage Statements: Do not eat, drink or smoke when using this product. Wash thoroughly after handling. Recycle if possible and dispose of the article by following all applicable governmental regulations relevant to your geographic location.
Halogen Content	Low Halogen - Br, Cl, F, I < 900 ppm per homogenous material. Also BFR/CFR/PVC Free
Solder Process Capability	Not applicable for solder process capability

Product Compliance Disclaimer

This information is provided based on reasonable inquiry of our suppliers and represents our current actual knowledge based on the information they provided. This information is subject to change. The part numbers that TE has identified as EU RoHS compliant have a maximum concentration of 0.1% by weight in homogenous materials for lead, hexavalent chromium, mercury, PBB, PBDE, DBP, BBP, DEHP, DIBP, and 0.01% for cadmium, or qualify for an exemption to these limits as defined in the Annexes of Directive 2011/65/EU (RoHS2). Finished electrical and electronic equipment products will be CE marked as required by Directive 2011/65/EU. Components may not be CE marked. Additionally, the part numbers that TE has identified as EU ELV compliant have a maximum concentration of 0.1% by weight in homogenous materials for lead, hexavalent chromium, and mercury, and 0.01% for cadmium, or qualify for an exemption to these limits as defined in the Annexes of Directive 2000/53/EC (ELV). Regarding the REACH Regulation, the information TE provides on SVHC in articles for this part number is based on the latest European Chemicals Agency (ECHA) 'Guidance on requirements for substances in articles' posted at this URL: <https://echa.europa.eu/guidance-documents/guidance-on-reach>

Compatible Parts

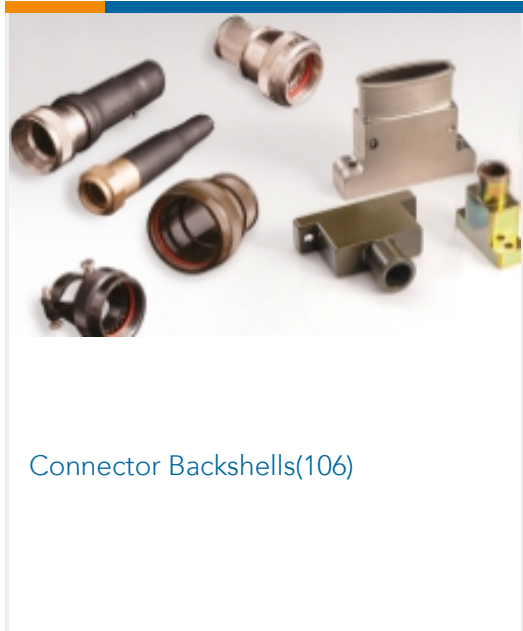


TE Part # 1-745494-5
15 HDE MS PLUG, 22-26, LEAD FREE



TE Part # 1-745494-6
15 HDE MS PLUG, 22-26, LEAD FREE

Also in the Series | **AMPLIMITE Kit**



Connector Backshells(106)



Connector Strain Relief(30)



D-Sub Contact Accessories(1)



D-Sub Covers(3)



D-Sub Locking & Mounting(119)

Customers Also Bought



TE Part #5205868-1
15 RCPT RA/MS STD



TE Part #794617-6
6POS, MICRO MNL, RCPT HSG



TE Part #5745653-4
DIECAST STRAIN RELIEF KIT, SZ 3



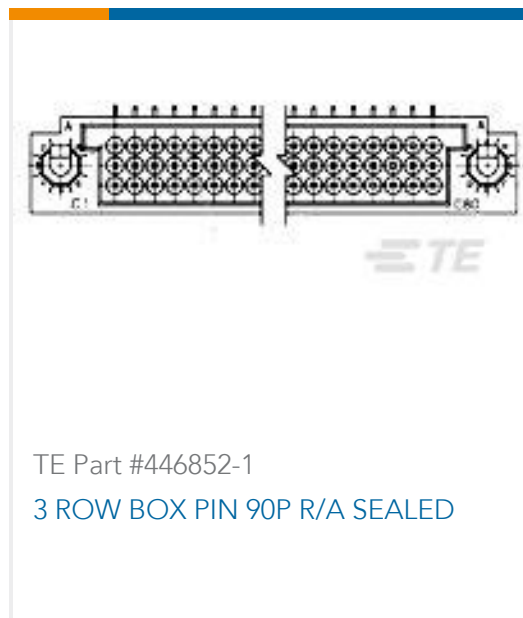
TE Part #6828130-1
CO KIT, LC, SM, DUP TIGHT



TE Part #3-794617-6
6P, MICRO MNL RCPT HSG, DBL ROW, GW V0



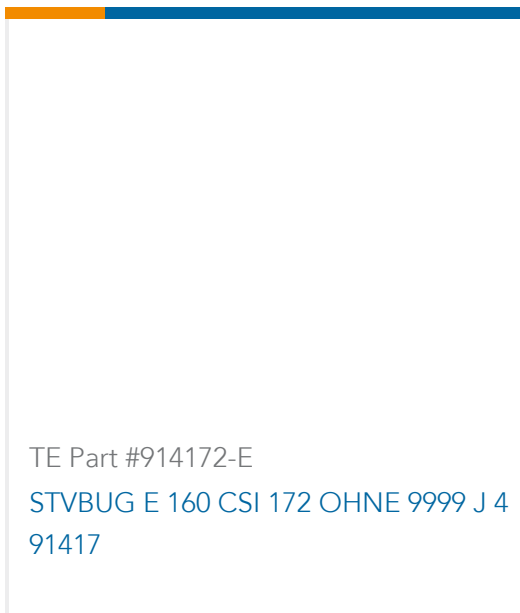
TE Part #YDIV40E13-35SNC009
RECP ASSY



TE Part #446852-1
3 ROW BOX PIN 90P R/A SEALED



TE Part #2560-222-2031
CONT PIN



Documents

Product Drawings

[DIECAST STRAIN RELIEF KIT,SZ 2](#)

English

CAD Files

[3D PDF](#)

English

[Customer View Model](#)

[ENG_CVM_5745652-4_O.2d_dxf.zip](#)

English

[Customer View Model](#)

[ENG_CVM_5745652-4_O.3d_igs.zip](#)

English

[Customer View Model](#)

[ENG_CVM_5745652-4_O.3d_stp.zip](#)

English

By downloading the CAD file I accept and agree to the [Terms and Conditions](#) of use.

Datasheets & Catalog Pages

[AMPLIMITE Subminiature D Connectors - Cable Connectors](#)

English

[AMPLIMITE Cable Connectors and Shielding Hardware Kits QRG](#)

English

Product Environmental Compliance

[TE Material Declaration](#)

English

Instruction Sheets

[Instruction Sheet \(U.S.\)](#)

English