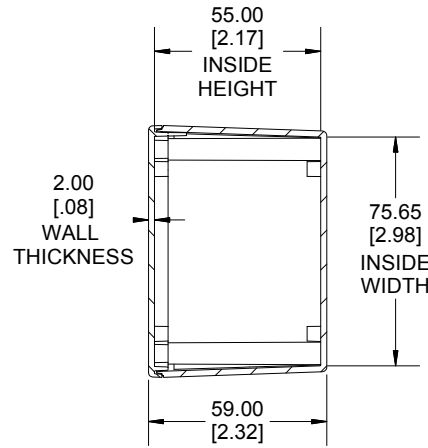
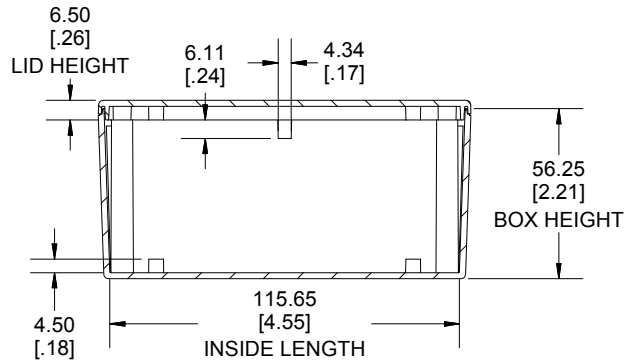


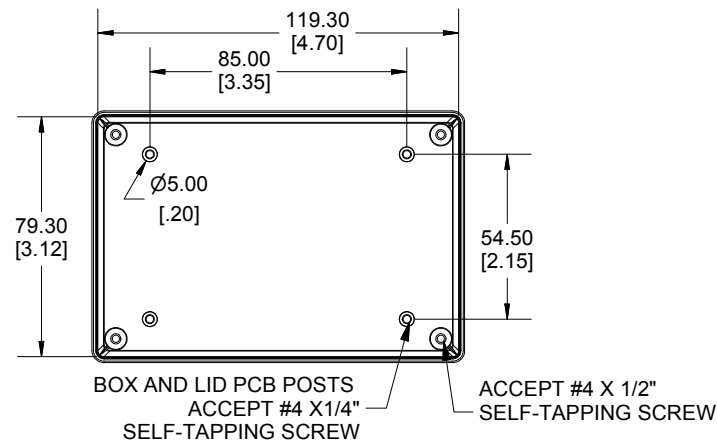
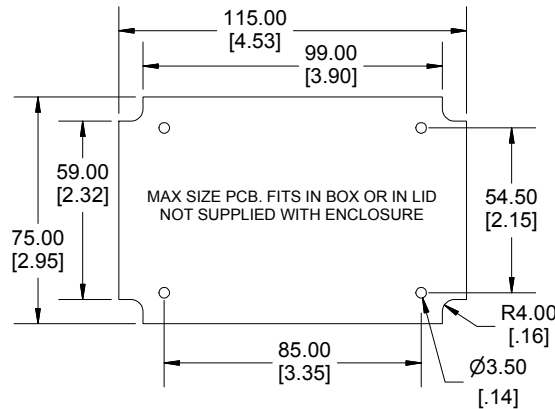
TOP VIEW



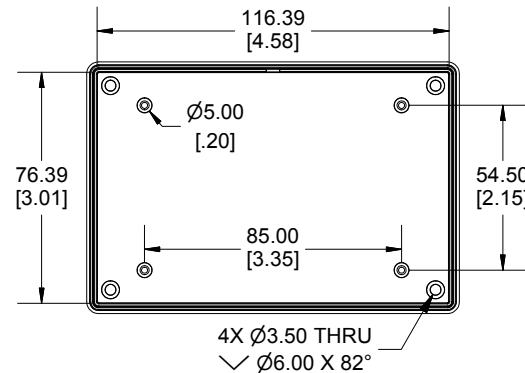
**SECTION B-B
END VIEW**



**SECTION A-A
SIDE VIEW**



INSIDE BOX



INSIDE LID

Dimensions:
mm
[inches]

Enclosures can be Factory Modified (Milling, Drilling, Printing etc.)
Contact Factory mjm@hammondmfg.com for quotes
Solid models of this enclosure available in STEP or IGES.
(Part number and text placement/orientation on our products are subject to change. we do not recommend using them as a locating reference for modification purposes)

NOTE	
Purchased assembly includes box, lid and Enclosure molded from GPABS Plastic. Other materials / colours available consult factory.	
Recommended Torque : (35-43) Ozf.in / (25-30) cNm	
PART NUMBERS	
1591XXTS Enclosure	
Black Textured Enclosure	1591XXTSBK
ACCESSORIES	
Black Cover Screws #4 X 1/2" Self-tapping	1591TS100BK (Pkg 100)
Plated Cover Screws #4 X 1/2" Self-tapping	1591TS100 (Pkg 100)
P.C. Board Screws	1593ATS50 (Pkg 50)
[#4 x 1/4" self-tapping (6.4mm)]	1593ATS100 (Pkg 100)

**HAMMOND
MANUFACTURING®**

1591XXTS

www.hammondmfg.com