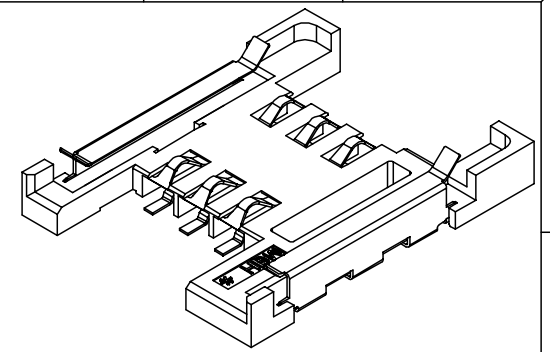
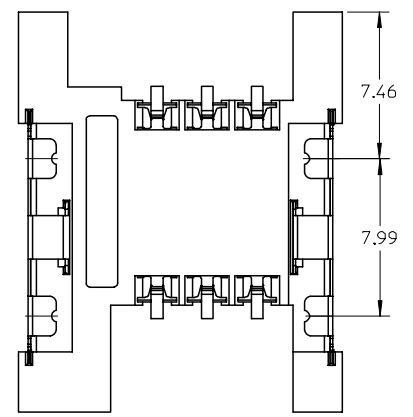


SECTION Z-Z



- NOTES:
- MATERIAL  
HOUSING: LCP, GLASS-FILLED, UL 94V-0, COLOR, BLACK.  
TERMINAL: THICKNESS 0.12MM, PHOSPHOR BRONZE.  
SHELL: STAINLESS STEEL.
  - FINISH:  
TERMINAL CONTACT AREA: 0.75 MICRON GOLD MIN OVERALL 1.25 MICRON NICKEL MIN.  
TERMINAL SOLDER AREA: GOLD FLASH OVERALL 1.25 MICRON NICKEL MIN.  
SHELL: GOLD FLASH OVERALL 1.25 MICRON NICKEL MIN.
  - COPLANARITY: 0.1MM MAX AMONG SOLDER TAILS AND FITTING NAILS.
  - PRODUCT SPECIFICATION: PS-47481-001.
  - DATE CODE (4 DIGITS)  

* * * *	DAY (1--7)
* * * *	WEEK (01--52)
* * * *	YEAR (6--9)
  - THE PART 474810001 COMPLIANT TO RoHS DIRECTIVE 2002/95/EC AND ELV 200/53/EC.

NEW DRAWING EC NO: SH2007-0315 DRWN: BWAN CHKD: XIXU APPR: JNCHEN	2007/01/30 2007/01/31 2007/02/08	QUALITY SYMBOLS ▽=0 ∇=0	GENERAL TOLERANCES (UNLESS SPECIFIED)		DIMENSION STYLE MM ONLY	SCALE 4:1	DESIGN UNITS METRIC	THIRD ANGLE PROJECTION			
			4 PLACES ± --- ± ---	3 PLACES ± --- ± ---	2 PLACES ± 0.15 ± ---	1 PLACE ± --- ± ---	DRAWN BY BWAN	DATE 2006/08/29	TITLE 2.5 PITCH SIM CONNECTOR		
			ANGULAR ± 2 °				APPROVED BY JNCHEN	DATE 2006/08/29	MOLEX INCORPORATED		
			DRAFT WHERE APPLICABLE MUST REMAIN WITHIN DIMENSIONS		MATERIAL NO. 474810001		DOCUMENT NO. SD-47481-001		SHEET NO. 1 OF 1		