

NOTES:

1.0 ELECTRICAL SPECIFICATIONS:

1.1 FREQUENCY RANGE: DC to 26.5 GHz

1.2 VSWR:

DC to 18.0 GHz: 1.12:1

18.0 to 26.5 GHz: 1.18:1

1.3 MAXIMUM INPUT POWER: 2 WATTS AVG. @ +25°C

DERATED LINEARLY TO 1 WATT @ +125°C

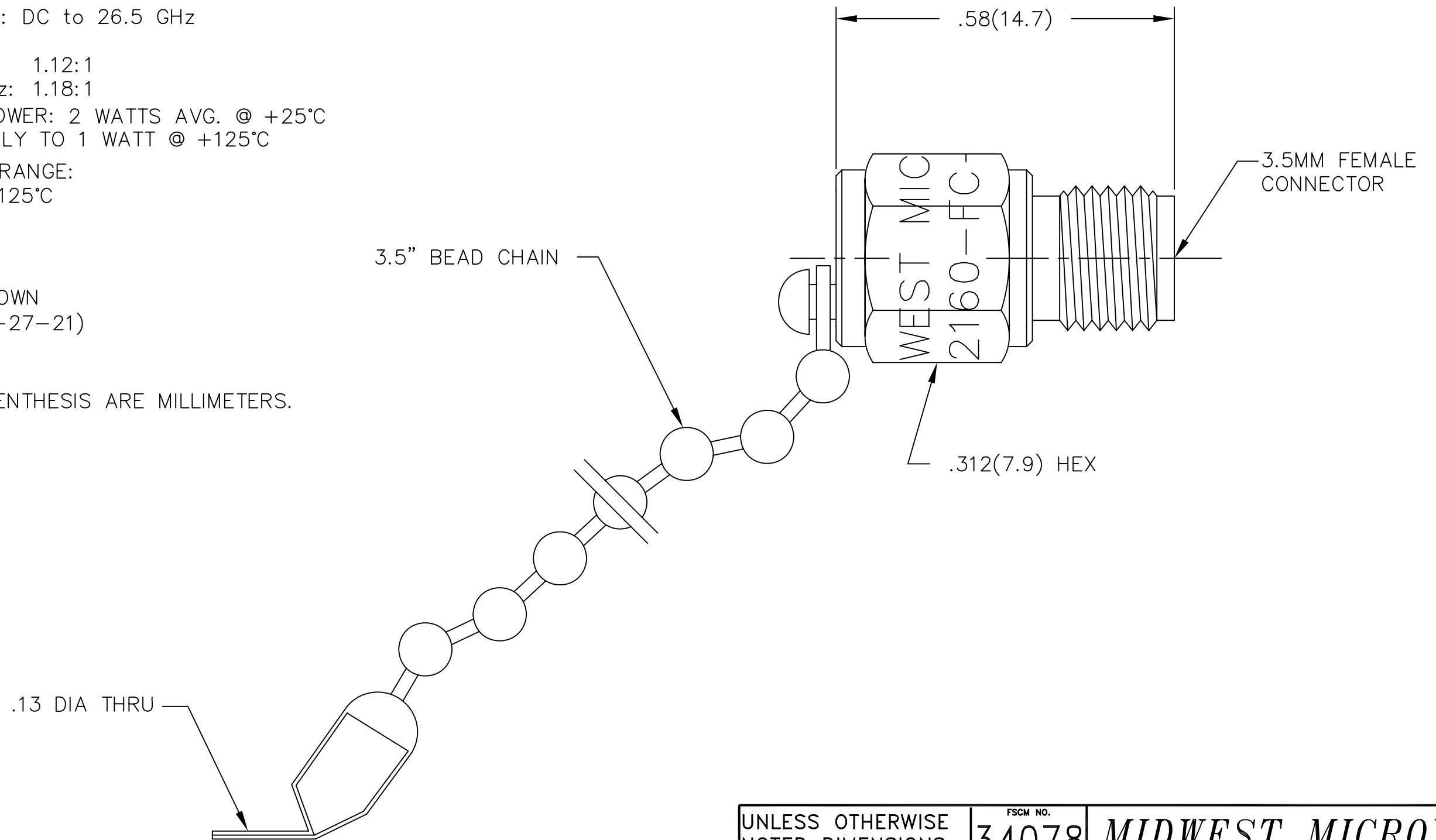
1.3 OPERATING TEMP. RANGE:

-65°C to +125°C

2.0 MARKING:

MARK UNIT AS SHOWN
(REF.: INK-02639-27-21)

3.0 DIMENSIONS IN PARENTHESIS ARE MILLIMETERS.



MODEL NUMBER
TRM-2160-FC-35M-02
REV.
A1

DATE	8/12/92
DESCRIPTION	RELEASED
REV.	-
	A
	A1
ECN	12132
ADDED	TITLEBLOCK
	11/9/05

UNLESS OTHERWISE NOTED DIMENSIONS ARE IN INCHES AND TOLERANCES ARE:	FSCM NO.	34078 <i>MIDWEST MICROWAVE</i>	
	3 PLACE DECIMALS ±.005 2 PLACE DECIMALS ±.02 FRACTIONS ±1/64 PARALLELITY: T.I.R. _____ FLATNESS: T.I.R. _____ CONCENTRICITY: T.I.R. _____ ANGLES AND PERPENDICULARITY: ±1°	NOTICE: The information contained in this drawing is proprietary and must not be used without the permission of Midwest Microwave	TITLE TERMINATION 3.5MM JACK
	DRAWN/DATE A.BEATTY 8/6/92	ENG./DATE G.KOZAK 8/7/92	DRAWING NUMBER TRM-2160-FC-35M-02
	CHECKED/DATE M.HOLLMAN 8/7/92	APPROVED/DATE	SCALE: 5=1 SHEET 1 of 1