

4

3

2

1

THIS DRAWING IS UNPUBLISHED. RELEASED FOR PUBLICATION  
 © COPYRIGHT BY TYCO ELECTRONICS CORPORATION, ALL RIGHTS RESERVED.

LOC		DIST		REVISIONS			
DS	-	P	LTR	DESCRIPTION	DATE	DWN	APVD
		A		REVISED (ECR-10-020545)	03/DEC/10	SJ	HG

D

C

B

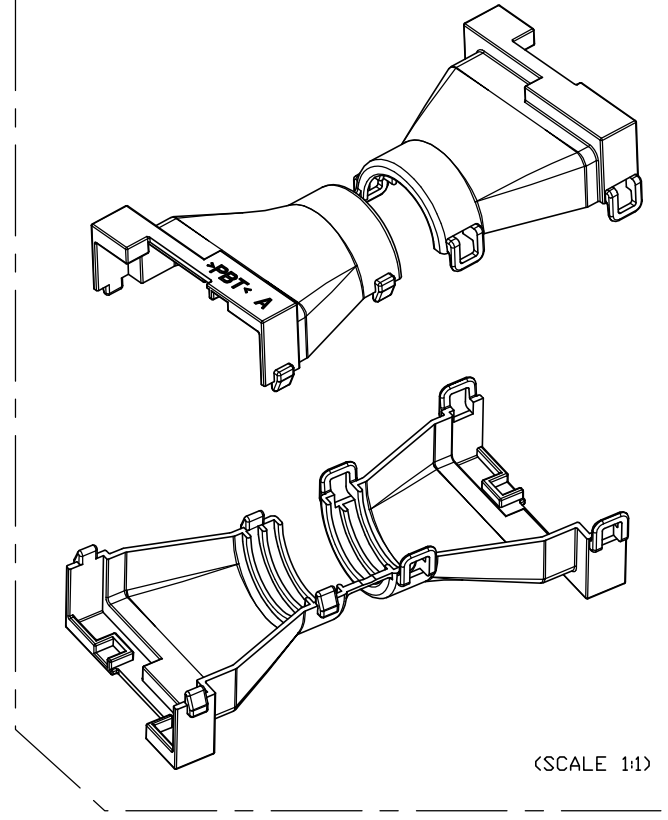
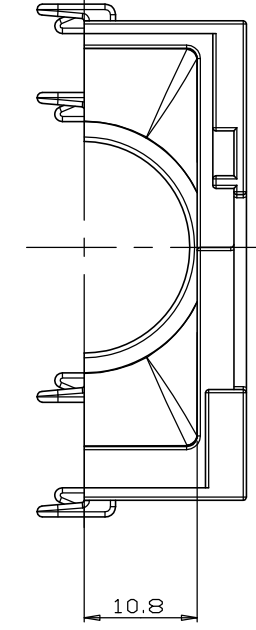
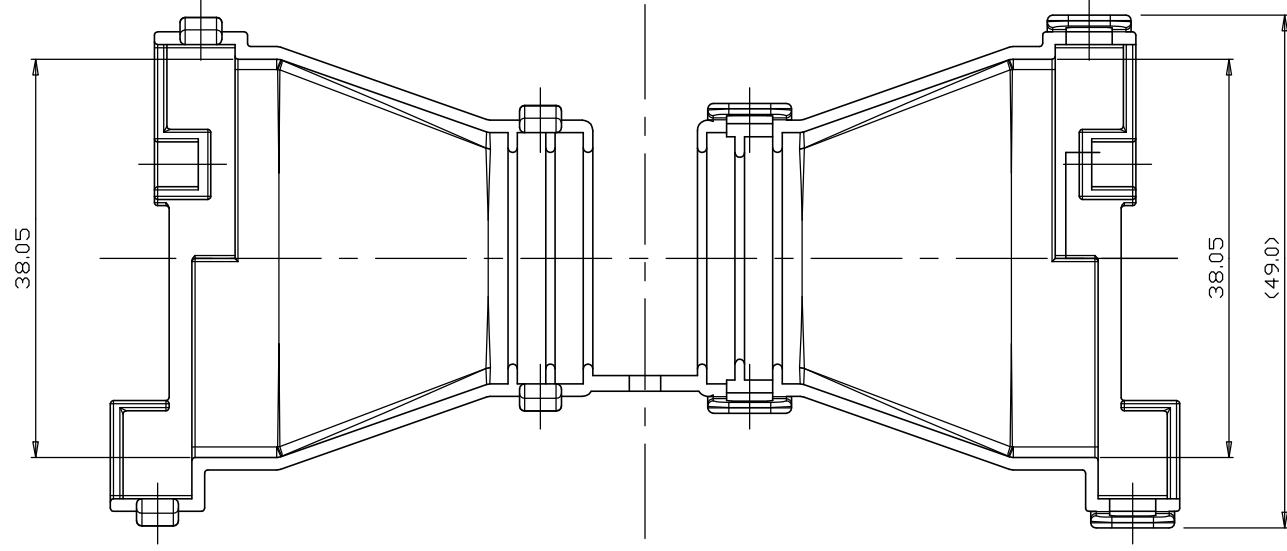
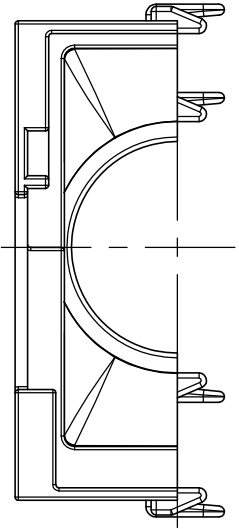
A

D

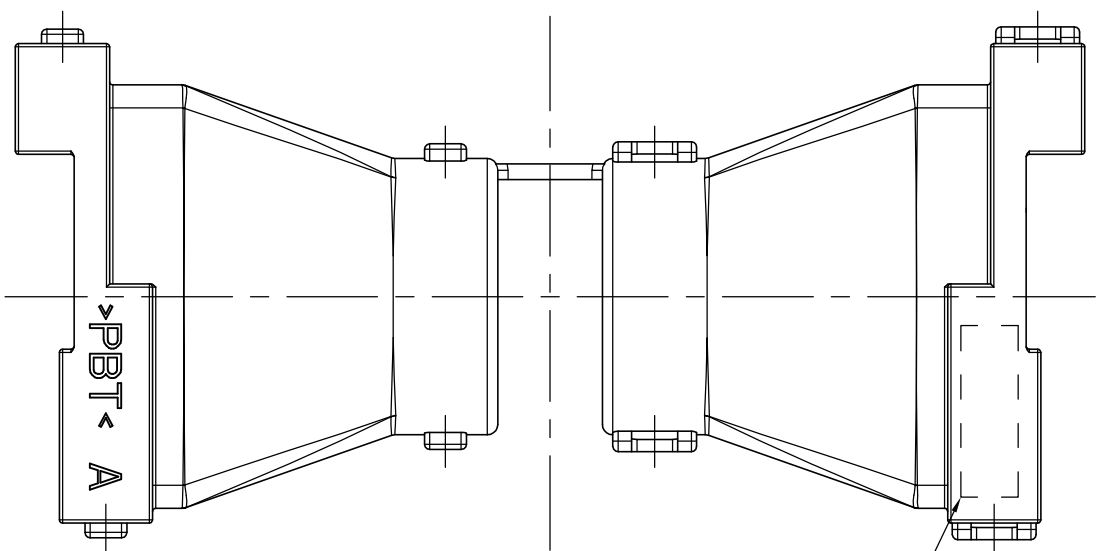
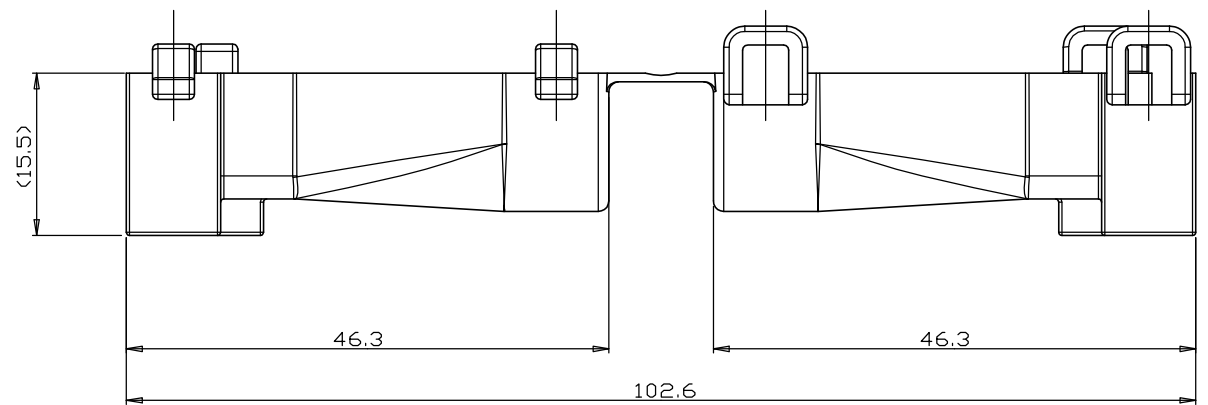
C

B

A



(SCALE 1:1)



Ⓐ TRADE MARK

- NOTES:  
 1. ALL RADII ARE 0.2 EXCEPT AS INDICATED  
 2. APPLIED CONNECTOR ASS'Y P/N : X-936429-X  
 3. APPLIED CORRUGATE TUBE : Ø19.0

BLACK	PBT(TRIBIT 1503B) P/N : 2-704773-5	COVER HSG FOR 42P CAP	0-936614-2
COLOR	MATERIAL	DESCRIPTION	PART NO.

DIMENSIONS:		TOLERANCES UNLESS OTHERWISE SPECIFIED:		DWN : SJ CHOI		Tyco Electronics kyungsan, korea	
mm		0 <XX<10	± 0.2	CHK : JW JUNG		NAME	
		10<XX<30	± 0.25	APVD : HG CHO		PRODUCT SPEC	COVER HOUSING FOR MTII/.090/JPT HYBRID
		30<XX	± 0.3			APPLICATION SPEC	42P CAP ASSEMBLY CONNECTOR
		ANGLES	± 3°			WEIGHT	
3rd ANGLE PROJECTION						SIZE	A200779
MATERIAL	FINISH					CAGE CODE	936614
SEE NOTES						DRAWING NO	936614
						RESTRICTED TO	
						SCALE	2/1
						SHEET	1 OF 1
						REV	A