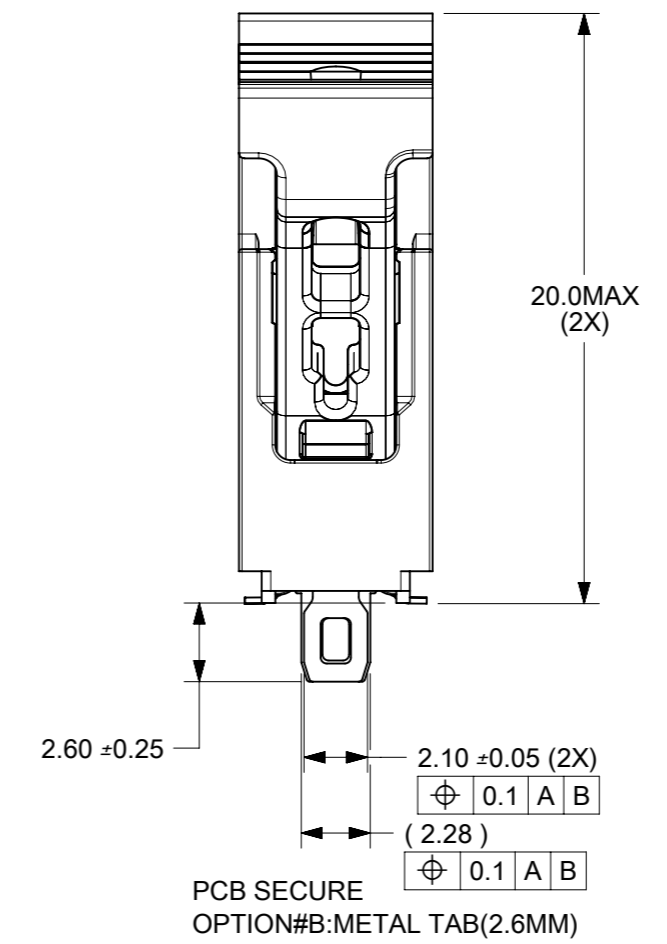
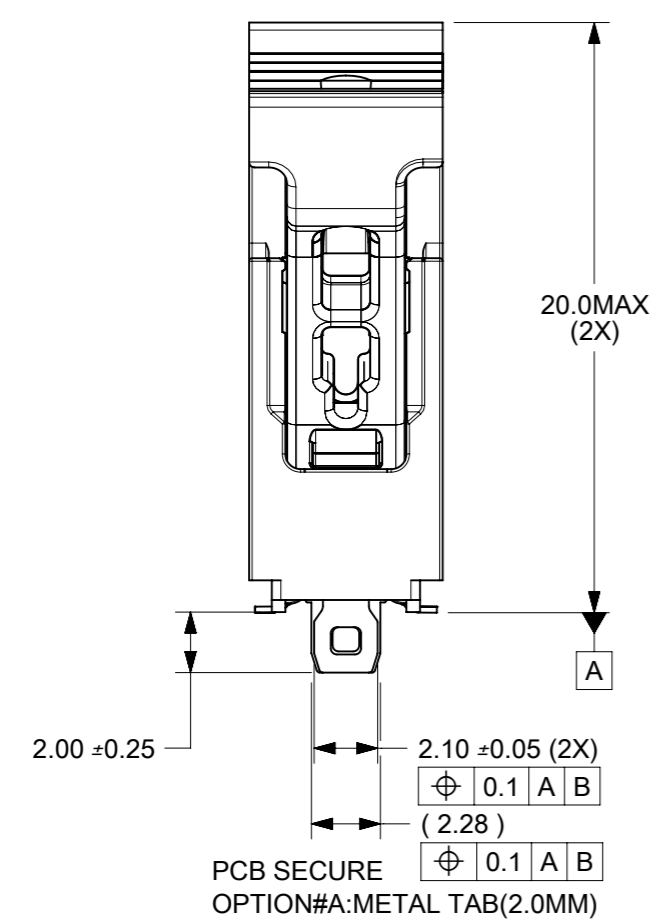
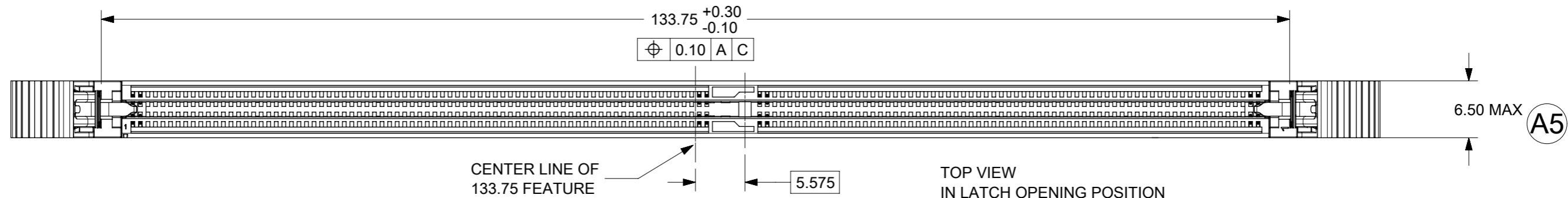


NOTES:

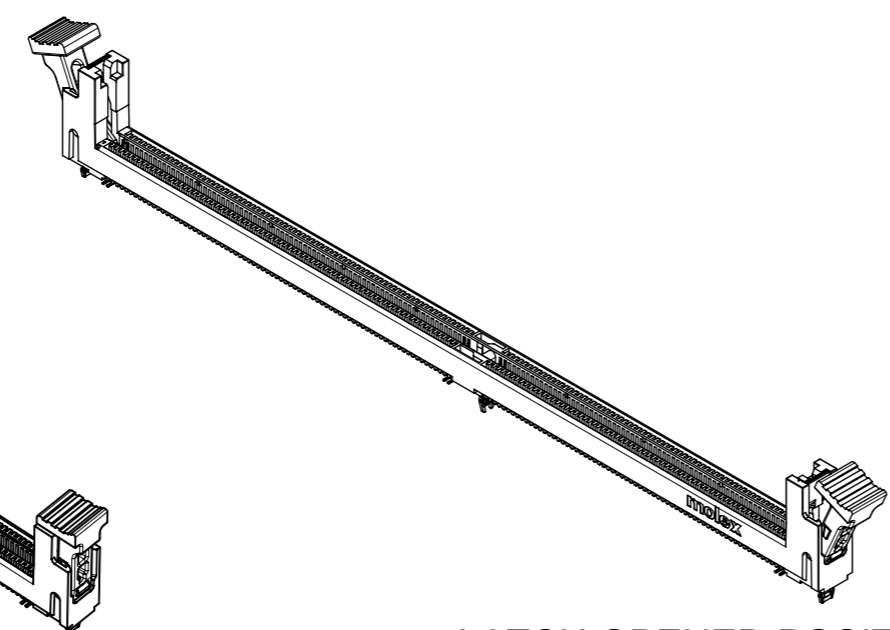
1. MATERIAL : HOUSING - POLYAMIDE (PA), GLASS FILLED, UL 94 V-0.
COLOUR : SEE TABLE ON SHEET 6/7.
LATCH - POLYAMIDE (PA), GLASS FILLED, UL 94 V-0.
COLOUR : SEE TABLE ON SHEET 6/7.
TERMINAL: COPPER ALLOY.
2. FINISHES - SEE TABLE ON SHEET 5.
3. PRODUCT SPECIFICATION : SEE TABLE ON SHEET 5.
4. PACKAGING SPECIFICATION: PRODUCT SHALL BE PACKED IN TRAY, SEE SHEET 5.
5. CARD SLOT ACCEPTS 1.40±0.10MM MODULE THICKNESS (MEASURED OVER P.C. PADS).
6. MOLEX LOGO, DATE & PART NO. INDICATED ON HOUSING.
7. MODULE SEATING PLANE.
8. KEEP OUT ZONE RESERVED FOR LATCH.
9. KEEP OUT AREA IS THE AREA WHERE THE CONNECTOR (INCLUDES LATCHES IN OPENING POSITION) IS MOUNTED ON THE PCB.
10. KAPTON TAPE TO BE ADHERED AT THIS LOCATION

THIS DESIGN IS BASED ON DESIGN OBJECTIVES AND IS STRICTLY TENTATIVE. IT MAY CHANGE BASED ON RESULTS OF ADDITIONAL DESIGN REVIEWS AND VERIFICATIONS.

SYMBOLS		THIS DRAWING CONTAINS INFORMATION THAT IS PROPRIETARY TO MOLEX ELECTRONIC TECHNOLOGIES, LLC AND SHOULD NOT BE USED WITHOUT WRITTEN PERMISSION	
DIMENSION UNITS	SCALE	CURRENT REV DESC:	
▽ = 0	mm	NTS	molex DDR4 DIMM, 0.85MM PITCH, VERTICAL, SMT, 288CKT
▽ = 0	GENERAL TOLERANCES (UNLESS SPECIFIED)		
▽ = 0	ANGULAR TOL ± 2.0°		
▽ = 0	4 PLACES ±		
▽ = 0	3 PLACES ±		EC NO: 645706 DRWN: CCHEN103 2020/08/11 CHK'D: SHLENI 2020/11/04 APPR: SHLENI 2020/11/04
▽ = 0	2 PLACES ± 0.2		INITIAL REVISION: DRWN: JAKEEMEW 2017/03/22 APPR: SHLENI 2017/04/12
▽ = 0	1 PLACE ±		DOCUMENT NUMBER: 2042450003 DOC TYPE: PSD DOC PART: 000 REVISION: A5
▽ = 0	0 PLACES ±		PRODUCT CUSTOMER DRAWING MATERIAL NUMBER: SEE TABLE CUSTOMER: GENERAL MARKET SHEET NUMBER: 1 OF 6
■ = 0	DRAFT WHERE APPLICABLE MUST REMAIN WITHIN DIMENSIONS		THIRD ANGLE PROJECTION DRAWING: A3-SIZE SERIES: 204245

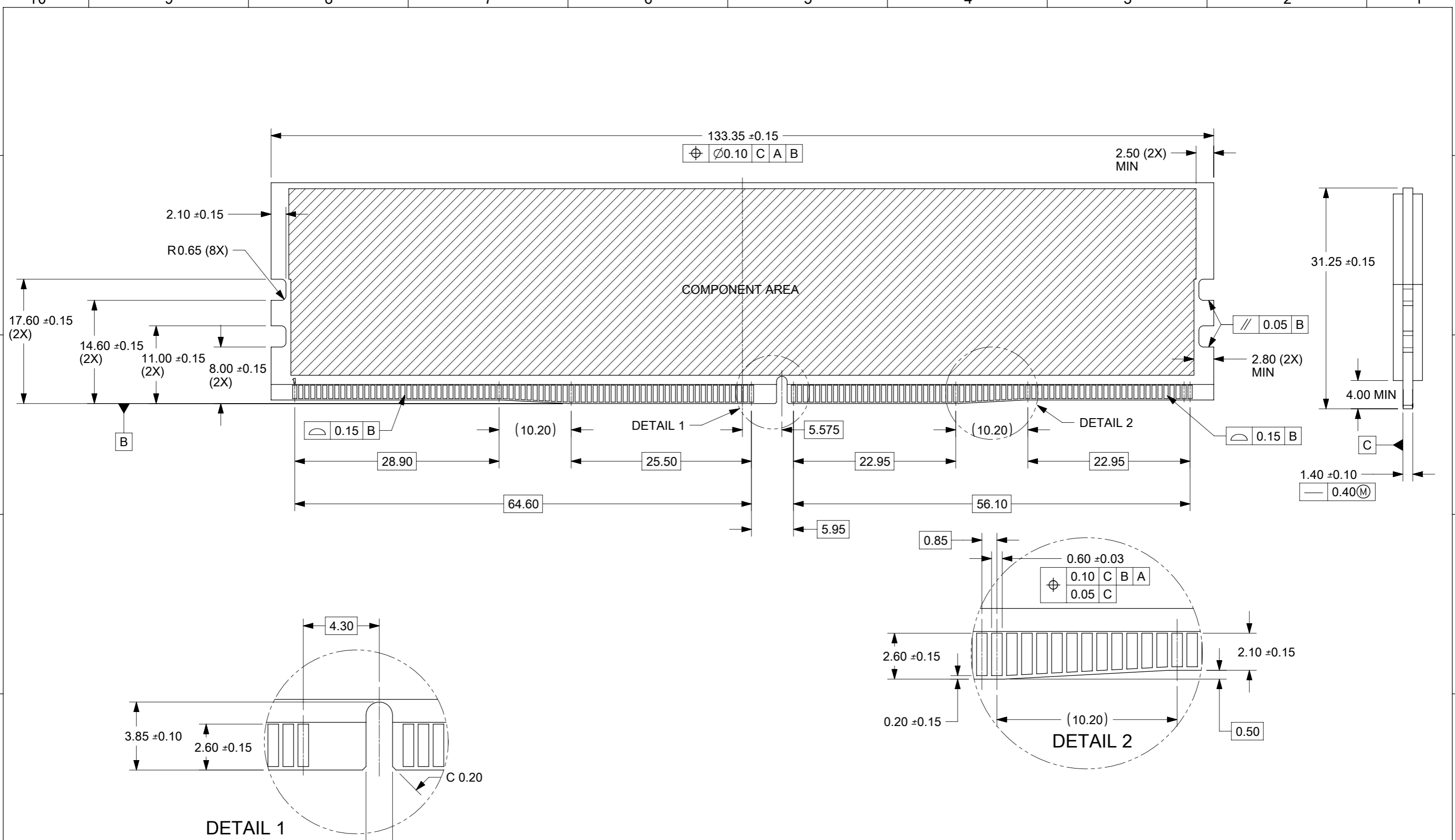


LATCH CLOSED POSITION



LATCH OPENED POSITION

SYMBOLS	THIS DRAWING CONTAINS INFORMATION THAT IS PROPRIETARY TO MOLEX ELECTRONIC TECHNOLOGIES, LLC AND SHOULD NOT BE USED WITHOUT WRITTEN PERMISSION		CURRENT REV DESC:					
	DIMENSION UNITS	SCALE						EC NO: 645706
▽ = 0	mm	NTS	DRWN: CCHEN103	2020/11/04	PRODUCT CUSTOMER DRAWING			
▽ = 0	GENERAL TOLERANCES (UNLESS SPECIFIED)		CHK'D: SHLENI	2020/11/04				
▽ = 0	ANGULAR TOL ± 2.0°		APPR: SHLENI	2020/11/04	DOCUMENT NUMBER: 2042450003			
▽ = 0	4 PLACES ±		INITIAL REVISION:					
▽ = 0	3 PLACES ±		DRWN: JAKEEMEW		2017/03/22	DOC TYPE: PSD	DOC PART: 000	REVISION: A5
▽ = 0	2 PLACES ±	0.2	APPR: SHLENI		2017/04/12	MATERIAL NUMBER: SEE TABLE		
▽ = 0	1 PLACE ±		THIRD ANGLE PROJECTION		DRAWING: A3-SIZE			
▽ = 0	0 PLACES ±		DRAFT WHERE APPLICABLE MUST REMAIN WITHIN DIMENSIONS					

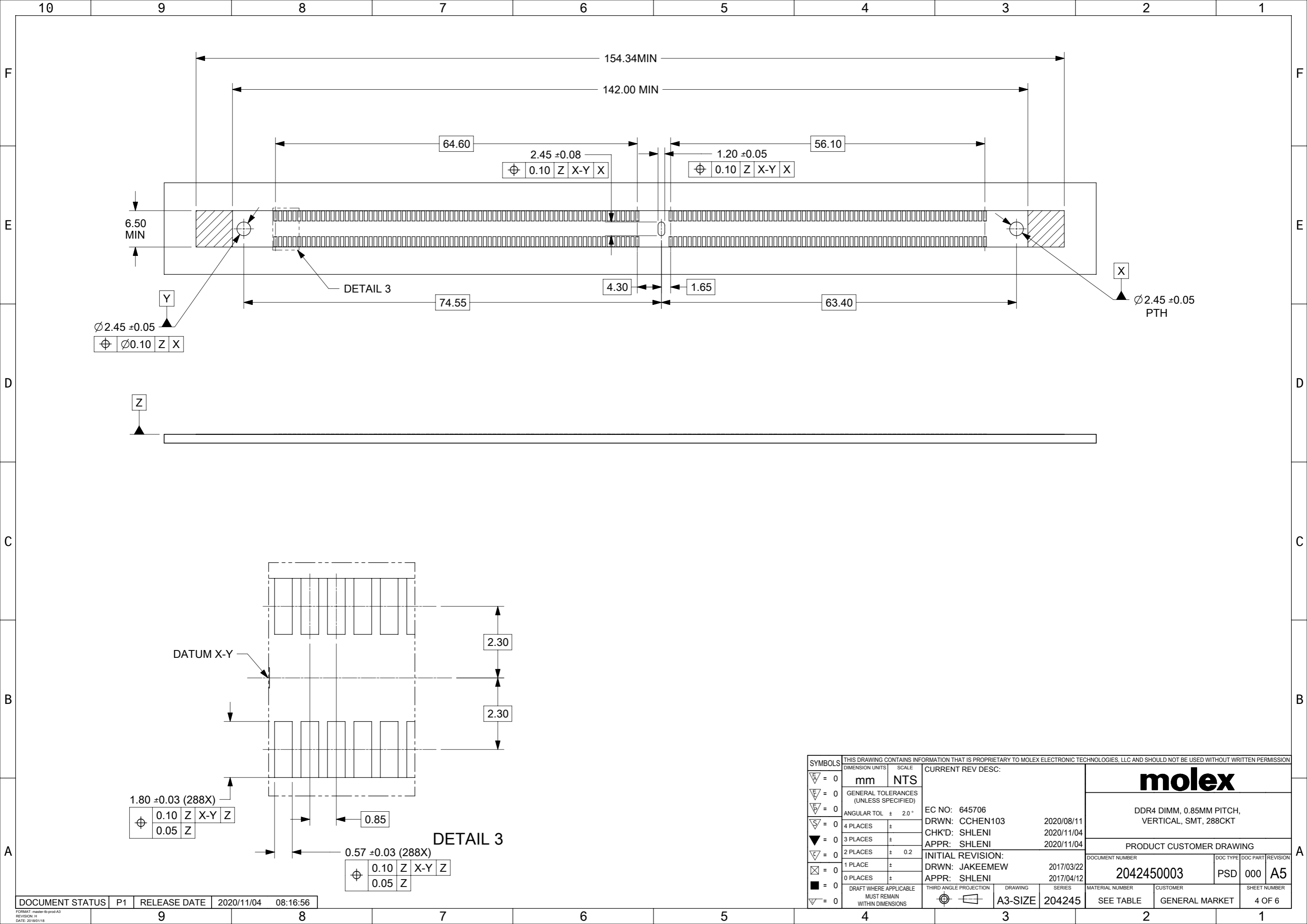


10 9 8 7 6 5 4 3 2 1



133.35 ±0.15
 Ø0.10 C A B
 2.50 (2X) MIN
 2.10 ±0.15
 R0.65 (8X)
 17.60 ±0.15 (2X)
 14.60 ±0.15 (2X)
 11.00 ±0.15 (2X)
 8.00 ±0.15 (2X)
 31.25 ±0.15
 4.00 MIN
 1.40 ±0.10
 0.40(M)
 2.80 (2X) MIN
 0.05 B
 0.15 B
 0.15 B
 5.575
 22.95
 22.95
 56.10
 5.95
 10.20
 10.20
 28.90
 25.50
 64.60
 DETAIL 1
 DETAIL 2
 DETAIL 2
 0.85
 0.60 ±0.03
 0.10 C B A
 0.05 C
 2.60 ±0.15
 2.10 ±0.15
 0.20 ±0.15
 10.20
 0.50
 0.85
 4.30
 3.85 ±0.10
 2.60 ±0.15
 C 0.20
 1.50 ±0.05
 A

THIS DRAWING CONTAINS INFORMATION THAT IS PROPRIETARY TO MOLEX ELECTRONIC TECHNOLOGIES, LLC AND SHOULD NOT BE USED WITHOUT WRITTEN PERMISSION													
SYMBOLS		DIMENSION UNITS		SCALE		CURRENT REV DESC:							
▽ = 0		mm		NTS		EC NO: 645706							
▽ = 0		GENERAL TOLERANCES (UNLESS SPECIFIED)				DRWN: CCHEN103 2020/08/11						DDR4 DIMM, 0.85MM PITCH, VERTICAL, SMT, 288CKT	
▽ = 0		ANGULAR TOL ± 2.0°				CHK'D: SHLENI 2020/11/04							
▽ = 0		4 PLACES ±				APPR: SHLENI 2020/11/04						PRODUCT CUSTOMER DRAWING	
▽ = 0		3 PLACES ±				INITIAL REVISION:							
▽ = 0		2 PLACES ± 0.2				DRWN: JAKEEMEW 2017/03/22						DOCUMENT NUMBER 2042450003	
▽ = 0		1 PLACE ±				APPR: SHLENI 2017/04/12							
▽ = 0		0 PLACES ±				DRAFT WHERE APPLICABLE MUST REMAIN WITHIN DIMENSIONS						DOC TYPE PSD	
▽ = 0		THIRD ANGLE PROJECTION		DRAWING		SERIES		MATERIAL NUMBER		CUSTOMER			
▽ = 0		A3-SIZE		204245		SEE TABLE		GENERAL MARKET		SHEET NUMBER 3 OF 6			



THIS DRAWING CONTAINS INFORMATION THAT IS PROPRIETARY TO MOLEX ELECTRONIC TECHNOLOGIES, LLC AND SHOULD NOT BE USED WITHOUT WRITTEN PERMISSION									
SYMBOLS	DIMENSION UNITS		SCALE		CURRENT REV DESC:				
	mm		NTS						
GENERAL TOLERANCES (UNLESS SPECIFIED)					EC NO: 645706 DRWN: CCHEN103 2020/08/11 CHK'D: SHLENI 2020/11/04 APPR: SHLENI 2020/11/04				
ANGULAR TOL ± 2.0°									
▽ = 0	4 PLACES		±		INITIAL REVISION: DRWN: JAKEEMEW 2017/03/22 APPR: SHLENI 2017/04/12				
▽ = 0	3 PLACES		±						
▽ = 0	2 PLACES		± 0.2		DOCUMENT NUMBER 2042450003 DOC TYPE PSD DOC PART 000 REVISION A5				
▽ = 0	1 PLACE		±						
▽ = 0	0 PLACES		±		MATERIAL NUMBER SEE TABLE CUSTOMER GENERAL MARKET SHEET NUMBER 4 OF 6				
■ = 0	DRAFT WHERE APPLICABLE MUST REMAIN WITHIN DIMENSIONS								
▽ = 0					A3-SIZE		204245		

DOCUMENT STATUS	P1	RELEASE DATE	2020/11/04	08:16:56
-----------------	----	--------------	------------	----------

ASSEMBLY PART NUMBER	HOUSING COLOUR	LATCH COLOUR	CIRCUIT SIZE	KAPTON TAPE	PCB SECURE FEATURES			PLATING OPTION	PRODUCT SPECIFICATION	PACKAGING SPECIFICATION
					LEFT	CENTER	RIGHT			
204245-1003	BLACK	BLACK	288	YES	OPTION#A: METAL TAB (2.00MM)	OPTION#A: METAL TAB (2.00MM)	OPTION#A: METAL TAB (2.00MM)	0.38 MICROMETER (15 MICROINCH) MINIMUM GOLD ON CONTACT 2.54 MICROMETER (100 MICROINCH) MINIMUM TIN ON SOLDER TAILS 1.27 MICROMETER (50 MICROINCH) MINIMUM NICKEL UNDERPLATE	2042450003	PK-78839-001
204245-1004	BLUE									
204245-1005	BLUE									
204245-1006	NATURAL (OFF-WHITE)									
204245-1013	BLACK	BLACK		NO						
204245-1030		NATURAL (OFF-WHITE)								
204245-1403		BLACK								
204245-1405	BLUE	BLUE		YES	OPTION#B: METAL TAB (2.60MM)	OPTION#B: METAL TAB (2.60MM)	OPTION#B: METAL TAB (2.60MM)			
204245-1813	BLACK	BLACK		NO	OPTION#A: METAL TAB (2.00MM)	OPTION#A: METAL TAB (2.00MM)	OPTION#A: METAL TAB (2.00MM)			
204245-1830		NATURAL (OFF-WHITE)								

A5

SYMBOLS = 0 = 0 = 0 = 0 = 0 = 0 = 0 = 0	THIS DRAWING CONTAINS INFORMATION THAT IS PROPRIETARY TO MOLEX ELECTRONIC TECHNOLOGIES, LLC AND SHOULD NOT BE USED WITHOUT WRITTEN PERMISSION DIMENSION UNITS: mm SCALE: NTS	CURRENT REV DESC: EC NO: 645706 DRWN: CCHEN103 2020/08/11 CHK'D: SHLENI 2020/11/04 APPR: SHLENI 2020/11/04 INITIAL REVISION: DRWN: JAKEEMEW 2017/03/22 APPR: SHLENI 2017/04/12	molex			
	GENERAL TOLERANCES (UNLESS SPECIFIED) ANGULAR TOL ± 2.0°		DDR4 DIMM, 0.85MM PITCH, VERTICAL, SMT, 288CKT			
	4 PLACES ± 3 PLACES ± 2 PLACES ± 0.2 1 PLACE ± 0 PLACES ±		PRODUCT CUSTOMER DRAWING			
	DRAFT WHERE APPLICABLE MUST REMAIN WITHIN DIMENSIONS		THIRD ANGLE PROJECTION 	DRAWING: A3-SIZE SERIES: 204245	MATERIAL NUMBER: 2042450003 CUSTOMER: GENERAL MARKET	DOC TYPE: PSD DOC PART: 000 REVISION: A5
			SHEET NUMBER: 5 OF 6			

ASSEMBLY PART NUMBER	HOUSING COLOUR	LATCH COLOUR	CIRCUIT SIZE	KAPTON TAPE	PCB SECURE FEATURES			PLATING OPTION	PRODUCT SPECIFICATION	PACKAGING SPECIFICATION
					LEFT	CENTER	RIGHT			
204245-0212	BLACK	BLACK	288	NO	OPTION#A: METAL TAB (2.00MM)	OPTION#A: METAL TAB (2.00MM)	OPTION#A: METAL TAB (2.00MM)	0.76 MICROMETER (30 MICROINCH) MINIMUM GOLD ON CONTACT 2.54 MICROMETER (100 MICROINCH) MINIMUM TIN ON SOLDER TAILS 1.27 MICROMETER (50 MICROINCH) MINIMUM NICKEL UNDERPLATE	2042450103	PK-78839-001
204245-0213		NATURAL (OFF-WHITE)								
204245-0214	BLUE									
204245-0312	BLACK									
204245-0313	BLACK	NATURAL (OFF-WHITE)		YES	OPTION#B: METAL TAB (2.60MM)	OPTION#B: METAL TAB (2.60MM)	OPTION#B: METAL TAB (2.60MM)			
204245-0311	NATURAL (OFF-WHITE)									
204245-0314	BLUE									
204245-0315	BLUE									
204245-0412	BLACK	BLACK								
204245-0415	BLUE	BLUE								

A5

SYMBOLS = 0 = 0 = 0 = 0 = 0 = 0 = 0 = 0 = 0	THIS DRAWING CONTAINS INFORMATION THAT IS PROPRIETARY TO MOLEX ELECTRONIC TECHNOLOGIES, LLC AND SHOULD NOT BE USED WITHOUT WRITTEN PERMISSION DIMENSION UNITS: mm SCALE: NTS	CURRENT REV DESC: EC NO: 645706 DRWN: CCHEN103 2020/08/11 CHK'D: SHLENI 2020/11/04 APPR: SHLENI 2020/11/04 INITIAL REVISION: DRWN: JAKEEMEW 2017/03/22 APPR: SHLENI 2017/04/12	 DDR4 DIMM, 0.85MM PITCH, VERTICAL, SMT, 288CKT				
	GENERAL TOLERANCES (UNLESS SPECIFIED) ANGULAR TOL ± 2.0°						PRODUCT CUSTOMER DRAWING
	4 PLACES ± 3 PLACES ± 2 PLACES ± 0.2 1 PLACE ± 0 PLACES ±		DOCUMENT NUMBER: 2042450003 DOC TYPE: PSD DOC PART: 000 REVISION: A5				
	DRAFT WHERE APPLICABLE MUST REMAIN WITHIN DIMENSIONS		THIRD ANGLE PROJECTION	DRAWING: A3-SIZE	SERIES: 204245	MATERIAL NUMBER: SEE TABLE	CUSTOMER: GENERAL MARKET