

**EM2426 Series  
EuroMag Terminal Blocks**

Header with Flanges (Mates with EM2416 Series); 7.62 Centers

**SPECIFICATIONS**

**Rating:** 15A, 300V

**Center Spacing:** 0.30" (7.62mm)

**Housing Material:** UL rated 94V0 Thermoplastic

**Contact Material:** Tin-Plated Brass

**Operating Temperature:** 105°C (221°F) max., -40°C (-40°F) min.

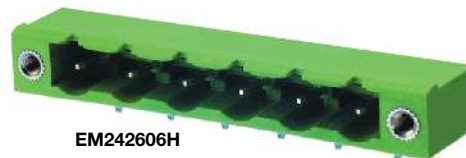
**Recommended PCB Hole Diameters:** 0.059" (1.50mm)

**Construction:** Mold-to-Length

**Agency Information:** File E62622; CE Certified



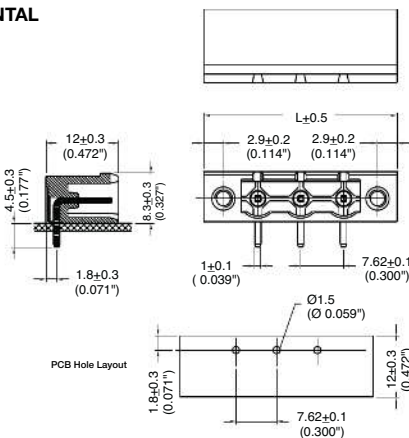
EM242603V



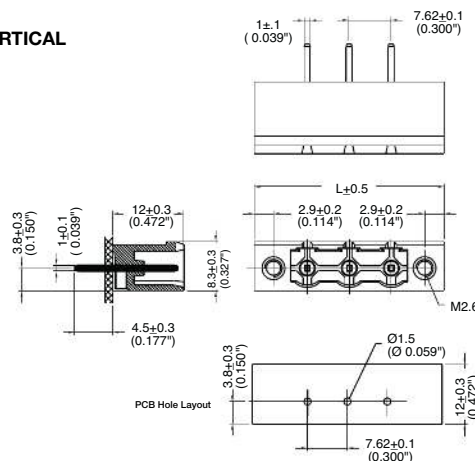
EM242606H

**Dimensions - mm (in)**

**HORIZONTAL**



**VERTICAL**



Poles	L (mm)	Poles	L (mm)
2	25.62	8	71.34
3	33.24	9	78.96
4	40.86	10	86.58
5	48.48	11	94.20
6	56.10	12	101.80
7	63.72		

To convert to inches, divide by 25.4

**Part Numbering System**

Series

# of Poles

Orientation

Mating Plug: EM2416 pg. 101

EM2426

□□

□

02 to 12

H - horizontal  
V - vertical