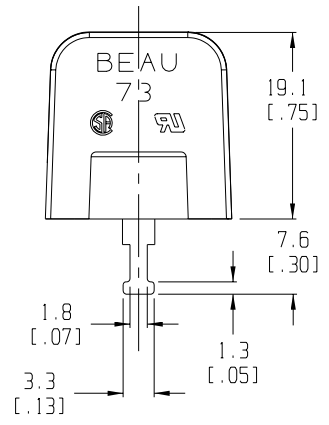
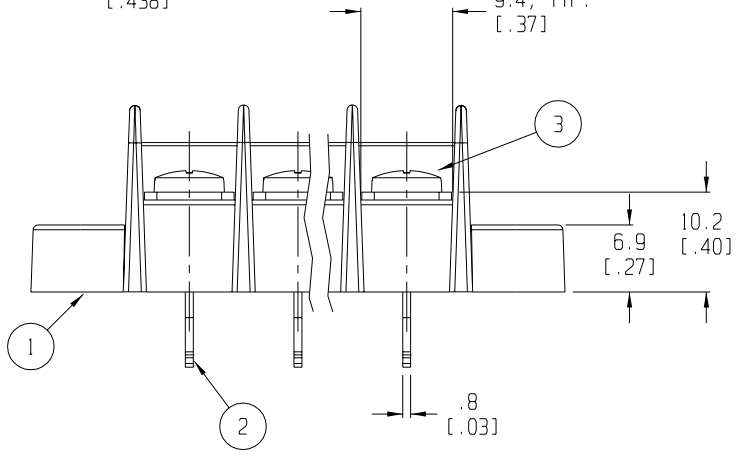


MATERIAL NO.	# OF CIRC. "XX"	"A"	"B"	"C"	"D"
	2	43.5 (1.71)	11.1 (.44)	33.3 (1.31)	24.5 (.97)
387346003	3	54.6 (2.15)	22.2 (.88)	44.5 (1.75)	35.7 (1.40)
	4	65.7 (2.59)	33.3 (1.31)	55.6 (2.19)	46.8 (1.84)
	5	76.8 (3.03)	44.5 (1.75)	66.7 (2.63)	57.9 (2.28)
	6	87.9 (3.46)	55.6 (2.19)	77.8 (3.06)	69.0 (2.72)
	7	99.1 (3.90)	66.7 (2.63)	88.9 (3.50)	80.1 (3.15)
	8	110.2 (4.39)	77.8 (3.06)	100.0 (3.94)	91.2 (3.59)
387346009	9	121.3 (4.78)	88.9 (3.50)	111.1 (4.38)	102.3 (4.03)
	10	132.4 (5.21)	100.0 (3.94)	122.2 (4.81)	113.4 (4.47)
	11	143.5 (5.65)	111.1 (4.38)	133.4 (5.25)	124.6 (4.90)
	12	154.6 (6.09)	122.2 (4.81)	144.5 (5.69)	135.7 (5.34)
	13	165.7 (6.53)	133.4 (5.25)	155.6 (6.13)	146.8 (5.78)
	14	176.8 (6.96)	144.5 (5.69)	166.7 (6.56)	157.9 (6.22)
	15	188.0 (7.40)	155.6 (6.13)	177.8 (7.00)	169.0 (6.65)
	16	199.1 (7.84)	166.7 (6.56)	188.9 (7.44)	180.1 (7.09)
	17	210.2 (8.28)	177.8 (7.00)	200.0 (7.88)	191.2 (7.53)
	18	221.3 (8.71)	188.9 (7.44)	211.1 (8.31)	202.3 (7.97)
	19	232.4 (9.15)	200.0 (7.88)	222.3 (8.75)	213.5 (8.40)
	20	243.5 (9.59)	211.1 (8.31)	233.4 (9.19)	224.6 (8.84)



- NOTES:
1. MATERIAL: SEE TABLE
  2. FINISHES: SEE TABLE
  3. PRODUCT SPECIFICATION: NOT REQUIRED
  4. PACKAGING: NOT REQUIRED
  5. MATES WITH: NONE

ITEM	QTY.	DESCRIPTION	MATERIAL	FINISH
3	XX	SCREW	STEEL	ZN, CLEAR CHROMATE
2	XX	TERMINAL	BRASS	TIN
1	1	BARRIER	THERMOPLASTIC	BLACK

EC NO. DRWN: CV CH'K: APPR.: A	DESCRIPTION MAJOR CRITICAL SPC S	GENERAL TOLERANCES: (UNLESS SPECIFIED) mm      INCH 4 PLACES ±.0015 3 PLACES ±.038      ±.005 2 PLACES ±.13      ±.01 1 PLACE ±.3 ANGULAR: ±2°		SCALE: 2:1 DESIGN UNITS: <input type="checkbox"/> mm <input checked="" type="checkbox"/> INCH	THIRD ANGLE PROJECTION	PROJECT NO. - DIMENSIONS: <input checked="" type="checkbox"/> mm <input type="checkbox"/> INCH <input type="checkbox"/> mm ONLY I SHT REV REVISE ON CAD ONLY
		DRAWN BY & DATE C. YORK 6-4-03		TITLE: SR BTS ASSY, TT, CS		APPROVED BY & DATE
		CAD FILENAME 73R6XX		MATERIAL NO. SEE CHART	DRAWING NO. SD-38734-001	SHEET NO. 1 OF 1
THIS DRAWING CONTAINS INFORMATION THAT IS PROPRIETARY TO MOLEX INCORPORATED AND SHOULD NOT BE USED WITHOUT WRITTEN PERMISSION.						SIZE B

F  
E  
D  
C  
B  
A

F  
E  
D  
C  
B  
A

10 9 8 7 6 5 4 3 2

10 9 8 7 6 5 4 3 2 1