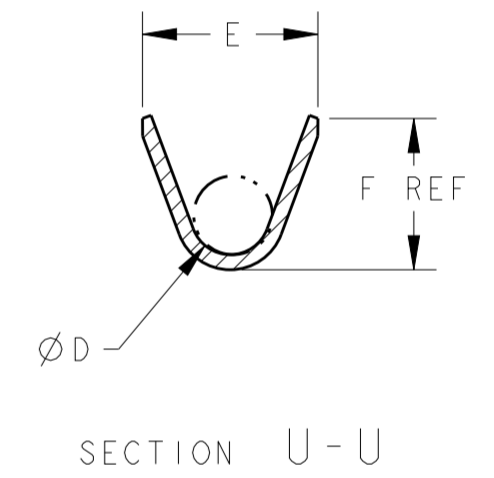
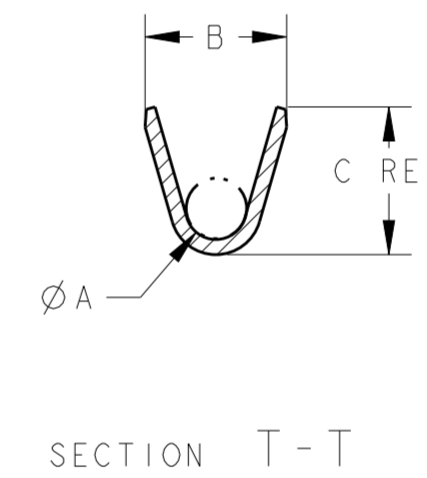
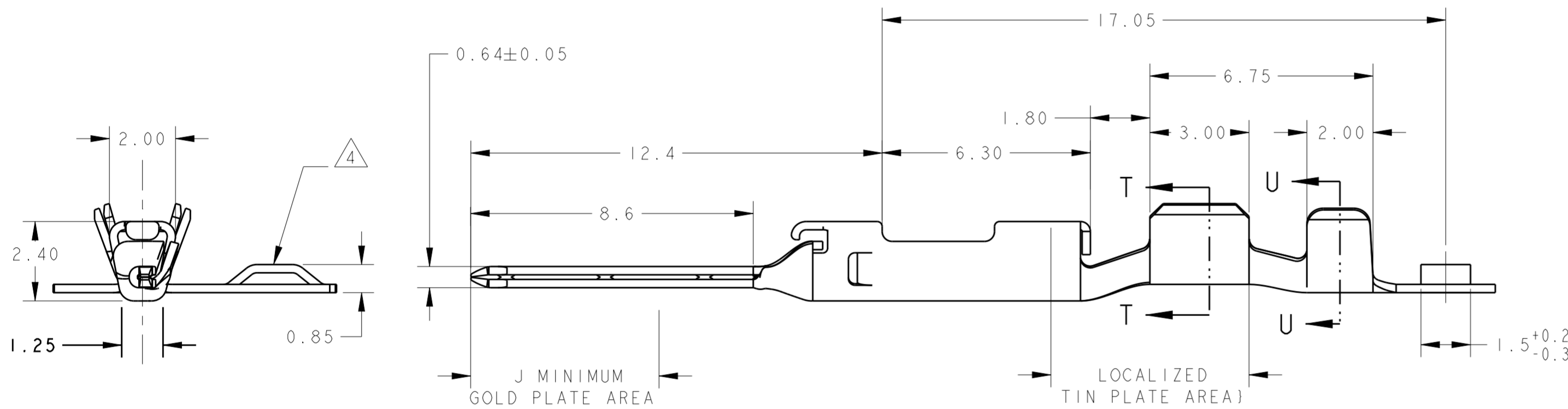
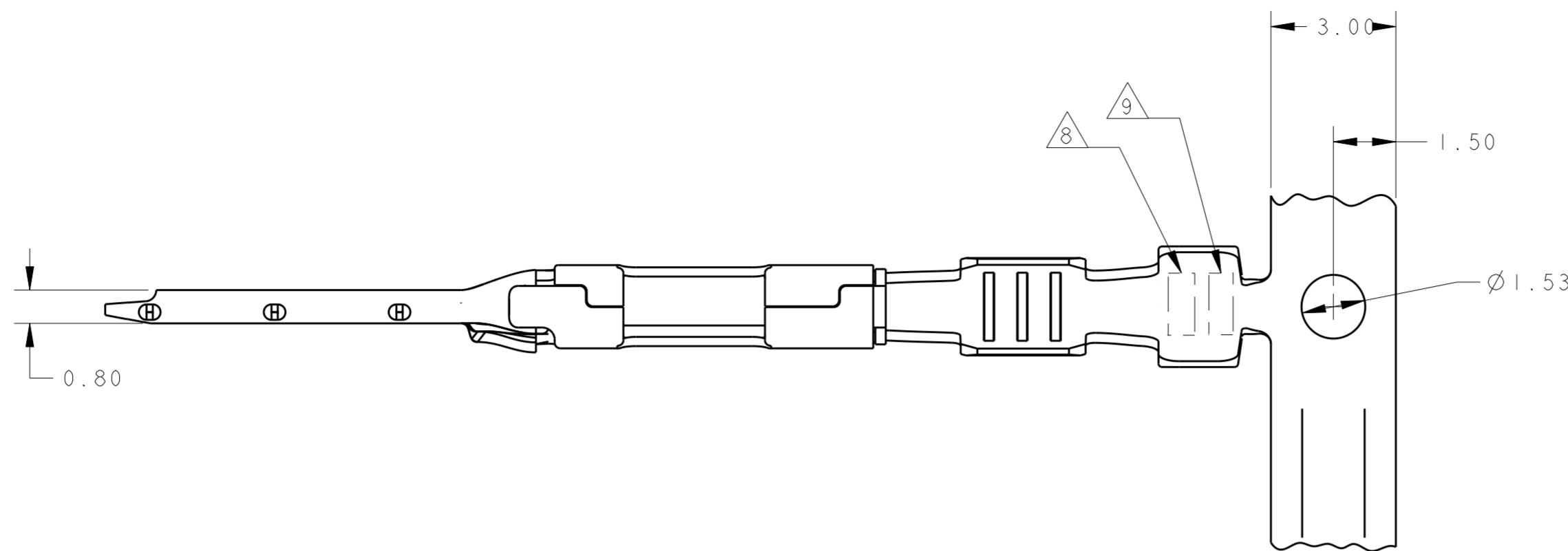
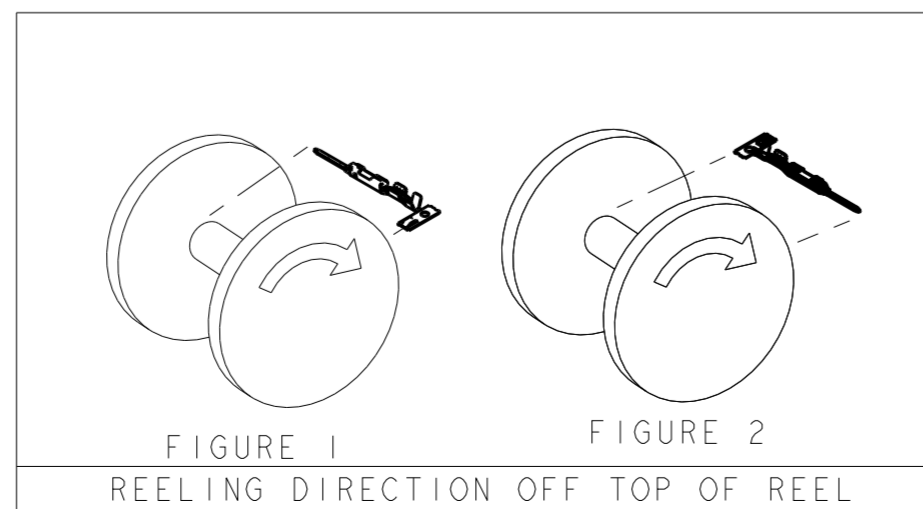


REVISIONS					
P	LTR	DESCRIPTION	DATE	DWN	APVD
0		EC 0K80-0282-01	23OCT01	FK	AE
A		REVISED PER ECO-20-013012	16SEP2020	AP	AH



- 1 MATERIAL: 0.25 THK BRASS
- 2 FINISH: 0.0025 MIN THK TIN IN LOCALIZED TIN PLATE AREA AND 0.00076 MIN THK GOLD IN GOLD PLATE AREA, ALL OVER 0.002 MIN THK NICKEL.
- 3 FOR USE WITH SHUNTED CONNECTOR.
- 4 FEATURE ON CARRIER STRIP IS RAISED TO INDICATE GOLD PLATED PRODUCT FEATURE APPEARS ADJACENT TO EVERY OTHER CONTACT MIN.
- 5 SEE FIGURE 1 FOR REELING DIRECTION.
- 6 SEE FIGURE 2 FOR REELING DIRECTION.
- 7. TERMINAL LUBRICATED WITH CHEMLUB 1102.
- 8 AMP TRADEMARK STAMPED IN THIS APPROXIMATE LOCATION. OPPOSITE SIDE.
- 9 WEEK CODE (YWW) STAMPED IN THIS APPROXIMATE LOCATION. OPPOSITE SIDE.
- 10 OBSOLETE PART



5.70	1.80	2.40	1.30	1.90	1.90	0.80	6	22	1488208-8
5.70	2.50	2.90	1.30	2.40	2.30	1.00		18-20	1488208-7
7.00	1.80	2.40	1.30	1.90	1.90	0.80		22	1488208-6
7.00	2.50	2.90	1.30	2.40	2.30	1.00	5	18-20	1488208-5
7.00	1.80	2.40	1.30	1.90	1.90	0.80		22	1488208-4 10
7.00	2.50	2.90	1.30	2.40	2.30	1.00		18-20	1488208-3
5.70	1.80	2.40	1.30	1.90	1.90	0.80	5	22	1488208-2
5.70	2.50	2.90	1.30	2.40	2.30	1.00		18-20	1488208-1
DIM J	DIM F	DIM E	DIM D	DIM C	DIM B	DIM A	REELING	WIRE SIZE	PART NUMBER

THIS DRAWING IS A CONTROLLED DOCUMENT.

DIMENSIONS:	TOLERANCES UNLESS OTHERWISE SPECIFIED:	DWN	F. KINSEY	23OCT01
mm	0 PLC ±.3	CHK	A. EBRAHEEM	23OCT01
	1 PLC ±.3	APVD	J. MYER	23OCT01
	2 PLC ±0.2	PRODUCT SPEC		
	3 PLC ±.2	APPLICATION SPEC		
	4 PLC ±.	114-13006		
	ANGLES ±2°	WEIGHT		
MATERIAL	FINISH	TE Connectivity NAME CONTACT, MALE, 0.64MM, GOLD PLATED SIZE CAGE CODE DRAWING NO RESTRICTED TO A200779C-1488208 SCALE 8:1 SHEET 1 OF 1 REV A		
material_2	finish_spec_2	CUSTOMER DRAWING		