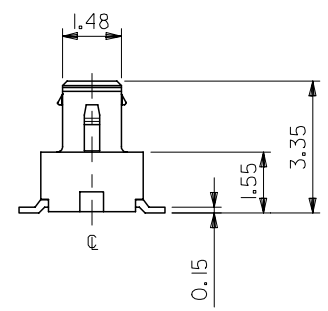
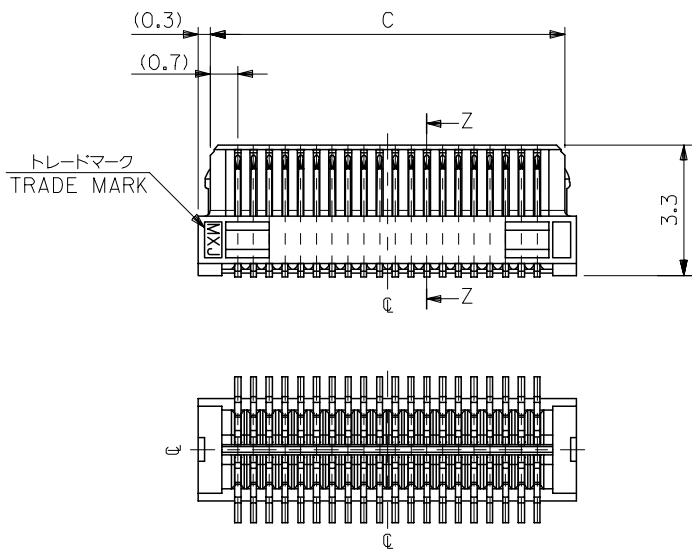


参考基板レイアウト (マウント面)
RECOMMENDED P.C.B. PATTERN DIMENSION.(REFERENCE)
(MOUNTING AREA)

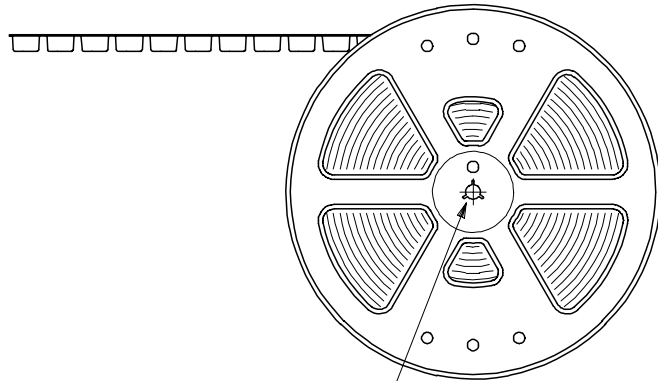


- 注記 NOTES:
- 使用材料 MATERIAL
ハウジング:液晶ポリマー ガラス充填 UL94V-0 茶色
HOUSING:LIQUID CRYSTAL POLYMER, GLASS FILLED, UL94V-0, COLOR BROWN
ターミナル:リン青銅 (t=0.15)
TERMINAL:PHOSPHOR BRONZE(t=0.15)
 - メッキ仕様 PLATING
金メッキ 0.25 マイクロメートル以上 (コンタクト部)
GOLD 0.25MICROMETER MINIMUM(CONTACT AREA)
金メッキ 0.35 マイクロメートル以下 (テール部)
GOLD 0.35MICROMETER MAXIMUM(TAIL AREA)
下地メッキ:ニッケルメッキ 1.5 マイクロメートル以上
UNDER PLATING : NICKEL 1.5MICROMETER MINIMUM
 - 嵌合相手:55394 シリーズ
MATE WITH : 55394 SERIES.
 - テール平坦度は、0.08以下
TAIL COPLANARITY TO BE 0.08MAXIMUM

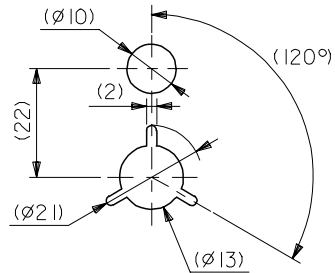
19	12.6	19.6	54552-0905	90
17	15.6	17.6	54552-0805	80
9	7.6	9.6	54552-0405	40
7	5.6	7.6	54552-0305	30
5	3.6	5.6	54552-0205	20
C	B	A	MATERIAL NO.	CIRCUIT
MODEL NO.			54552-***5	

REVISED EC NO: J2006-1654 DRW:HYAJIMA 2005/12/27 CHKD:MANAKA 2006/01/05 APPR:NUKITA 2006/01/10	GENERAL TOLERANCES (UNLESS SPECIFIED)		DIMENSION STYLE MM ONLY		SCALE ---	DESIGN UNITS METRIC	THIRD ANGLE PROJECTION
	10 UNDER	±0.2	DRAWN BY MHAYASHI	DATE 2000/05/31	TITLE 0.4 B/B CONN.REC.ASS'Y (R/A) W/O BOSS		
	10 OVER 30 UNDER	±0.25	CHECKED BY TITO	DATE 2000/05/31	MOLEX MOLEX INCORPORATED		
	30 OVER	±0.3	APPROVED BY MFUKUSHI	DATE 2000/05/31	DOCUMENT NO. SD-54552-009	SHEET NO. 1 OF 1	
	ANGULAR	±3 °	MATERIAL NO. SEE CHART				
DRAFT WHERE APPLICABLE MUST REMAIN WITHIN DIMENSIONS		SIZE A3	THIS DRAWING CONTAINS INFORMATION THAT IS PROPRIETARY TO MOLEX INCORPORATED AND SHOULD NOT BE USED WITHOUT WRITTEN PERMISSION				

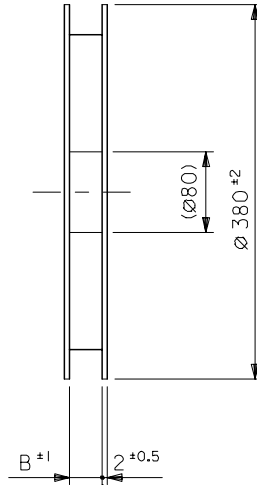
引き出し方向
PULL OUT
DIRECTION



"F"



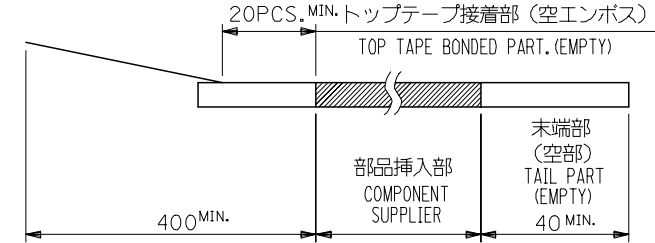
DETAIL 'F'



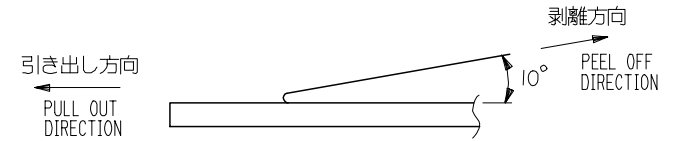
NOTES

1. 梱包数量：1500個/リール
NUMBER OF CONNECTORS : 1500PCS/REEL
2. リードテープ長さ LEAD TAPE LENGTH
20PCS. MIN. トップテープ接着部 (空エンボス)
TOP TAPE BONDED PART. (EMPTY)

引き出し方向
PULL OUT
DIRECTION



3. トップテープの剥離強度：0.1N ~ 0.7N(10.2gf ~ 71.4gf)
(剥離方向は下図参照)
尚、本規格値は出荷時に適用。(但し、輸送時に剥離が発生しないこと。)
PEELING OFF FORCE OF TOP TAPE : 0.1N ~ 0.7N(10.2gf ~ 71.4gf)
(PEELING DIRECTION AS SHOWN IN FOLLOWING FIG.)
THIS REQUIREMENT SHOULD BE APPLIED AT SHIPMENT.
PEEL OFF SHOULD NOT BE ALLOWED , DURING TRANSPORTATION.

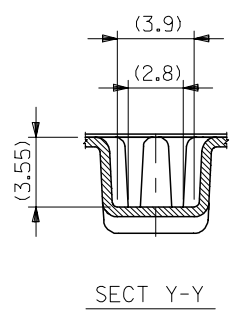
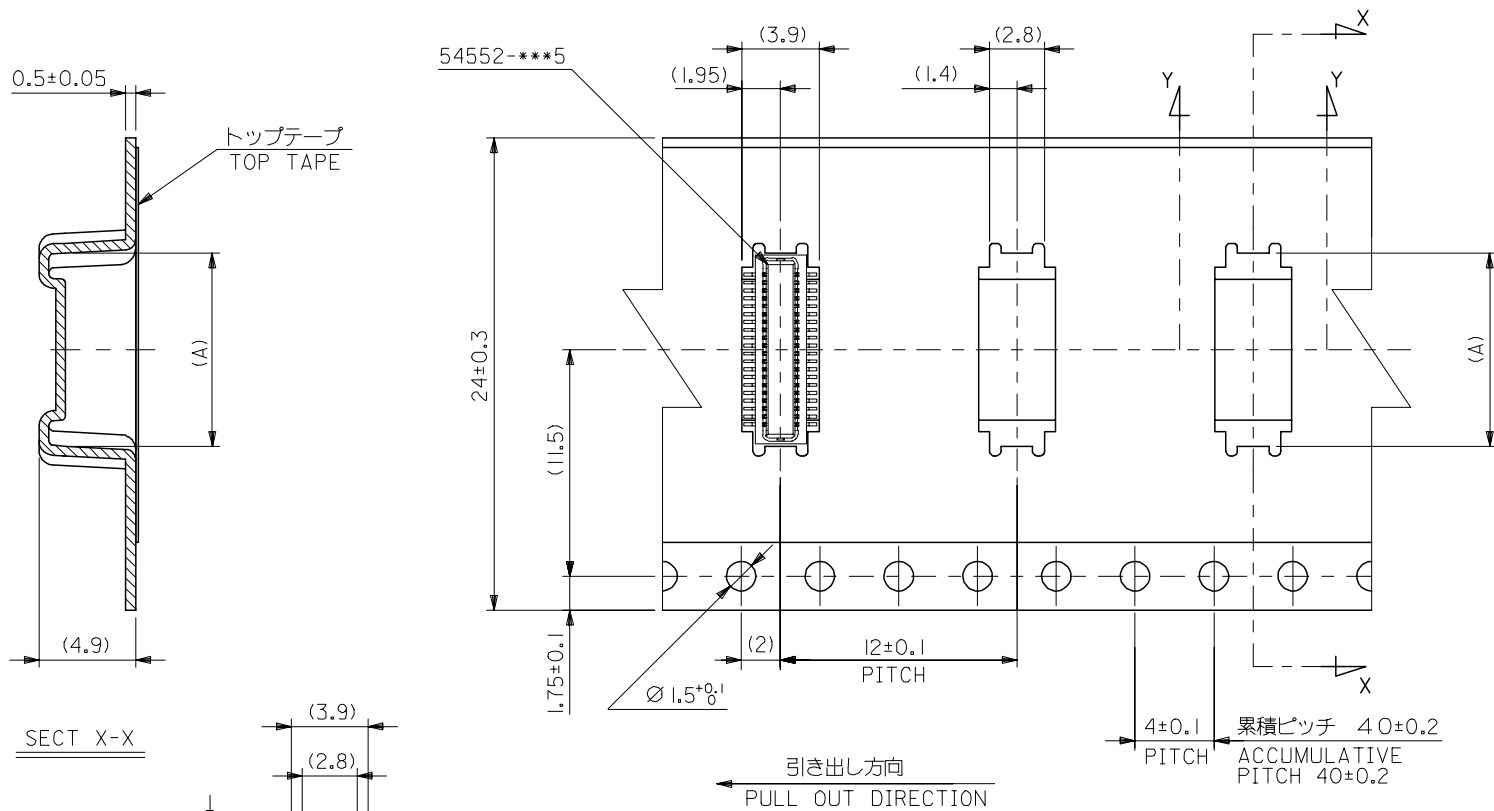


4. 材料(MATERIAL)
キャリアテープ(CARRIER TAPE) : ポリプロピレン(POLYPROPYLENE)
トップテープ(TOPTAPE) : PET , PE , PEF
リール(REEL) : ポリスチレン (PS) <リサイクル材を含む>
POLYSTYREN(PS) <RECYCLE MATERIAL CONTAINED>

54552-0906	90
54552-0806	80
54552-0406	40
54552-0306	30
54552-0206	20
MATERIAL. NO.	極数 CIRCUIT

MODEL NO. 54552-***6

REVISED EC NO: J2006-1654 DRW: HVAJIMA 2005/12/27 CHKD: TANAKA 2006/01/05 APPR: NUKITA 2006/01/10	GENERAL TOLERANCES (UNLESS SPECIFIED)		DIMENSION STYLE MM ONLY	SCALE ---	DESIGN UNITS METRIC	THIRD ANGLE PROJECTION
	10 UNDER	± 0.2	DRAWN BY MHAYASHI	DATE 2000/05/31	TITLE 0.4 BTBCONN REC ASSY RA W/O BOSS EMBSTP PKG	
	10 OVER 30 UNDER	± 0.25	CHECKED BY TITO	DATE 2000/05/31	MOLEX INCORPORATED	
	30 OVER	± 0.3	APPROVED BY MFUKUSHI	DATE 2000/05/31	DOCUMENT NO. SD-54552-010	
	ANGULAR	± 3 °	MATERIAL NO.	SEE CHART	SHEET NO. 1 OF 3	
	DRAFT WHERE APPLICABLE MUST REMAIN WITHIN DIMENSIONS		SIZE A3	THIS DRAWING CONTAINS INFORMATION THAT IS PROPRIETARY TO MOLEX INCORPORATED AND SHOULD NOT BE USED WITHOUT WRITTEN PERMISSION		



24mm幅キャリアテープ
24mm WIDTH CARRIER TAPE

24	25.5	9.8	54552-0406	40
	25.5	7.8	54552-0306	30
	25.5	5.8	54552-0206	20
キャリアテープ幅 CARRIER TAPE WIDTH	B	(A)	MATERIAL NO.	極数 CIRCUIT

MODEL NO. 54552-***6

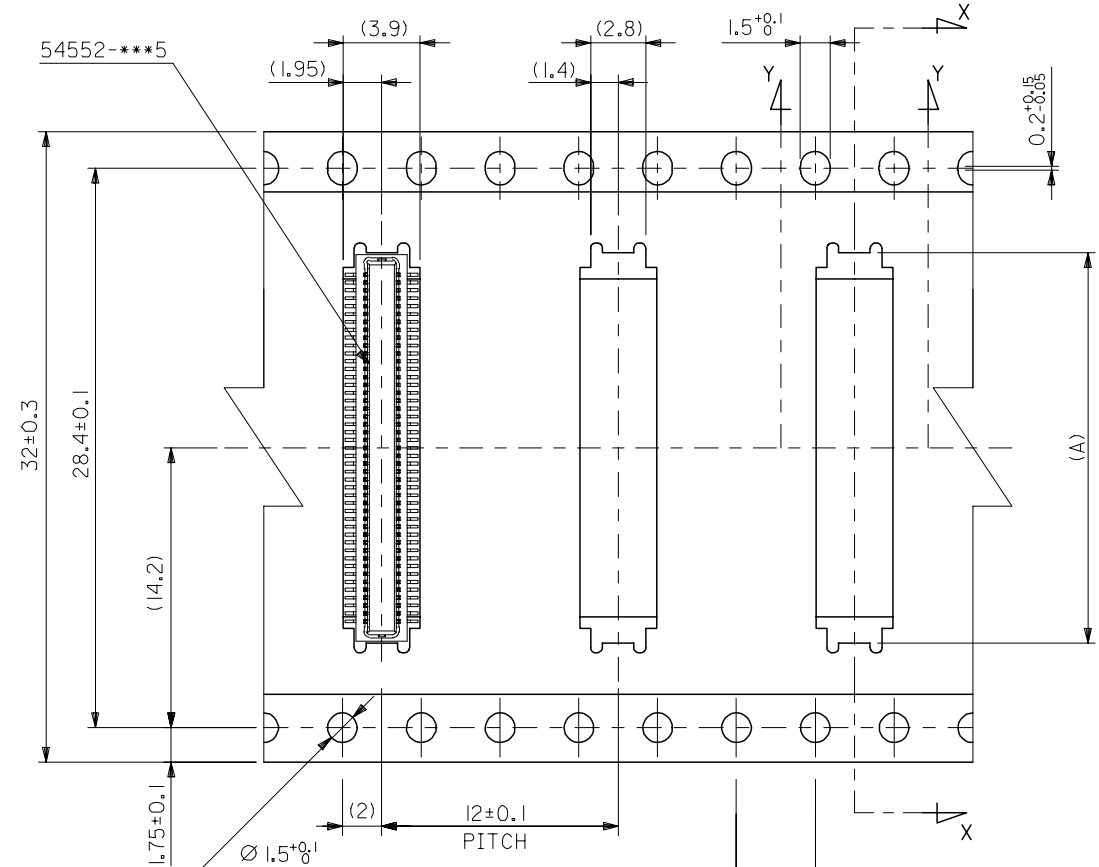
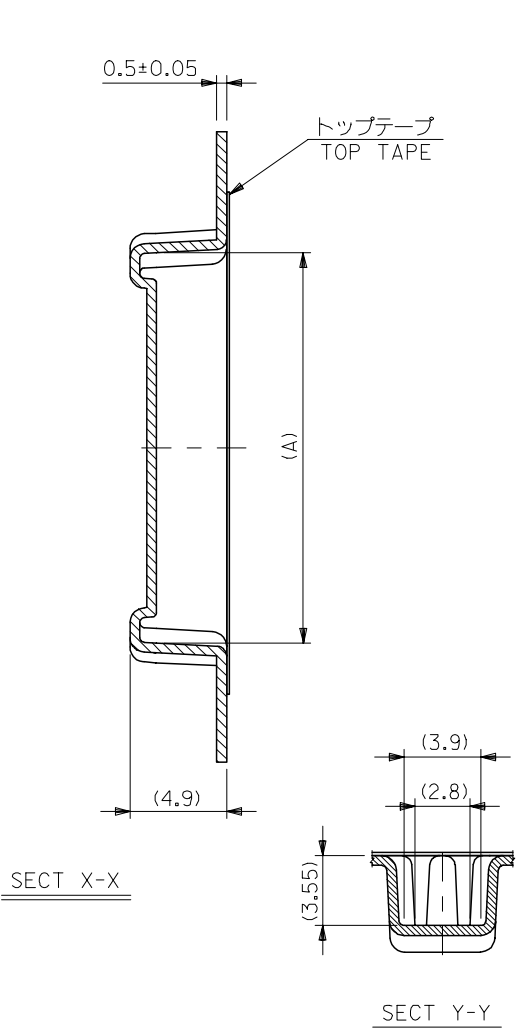
REVISED EC NO: J2006-1654 DRW: HVAJIMA 2005/12/27 CHK: DMTANAKA 2006/01/05 APPR: NUKITA 2006/01/10	GENERAL TOLERANCES (UNLESS SPECIFIED)		DIMENSION STYLE MM ONLY		SCALE ---	DESIGN UNITS METRIC	THIRD ANGLE PROJECTION
	10 UNDER	±0.2	DRAWN BY MHAYASHI	DATE 2000/05/31	TITLE 0.4 BTB CONN REC ASSY RA W/O BOSS EMBSTP PKG		
	10 OVER 30 UNDER	±0.25	CHECKED BY TITO	DATE 2000/05/31	APPROVED BY MFUKUSHI		
	30 OVER	±0.3	APPROVED BY MFUKUSHI	DATE 2000/05/31	MATERIAL NO.		
	ANGULAR	±3 °	DRAFT WHERE APPLICABLE MUST REMAIN WITHIN DIMENSIONS		SEE CHART		DOCUMENT NO. SD-54552-010

MOLEX INCORPORATED

THIS DRAWING CONTAINS INFORMATION THAT IS PROPRIETARY TO MOLEX INCORPORATED AND SHOULD NOT BE USED WITHOUT WRITTEN PERMISSION

10 9 8 7 6 5 4 3 2 1

F E D C B A



引き出し方向
PULL OUT DIRECTION

32mm幅キャリアテープ
32mm WIDTH CARRIER TAPE

MODEL NO.	54552-***6	32	33.5	19.8	54552-0906	90
CARRIER TAPE WIDTH	B	32	33.5	17.8	54552-0806	80
				(A)	MATERIAL NO.	極数 CIRCUIT

REVISED EC NO: J2006-1654 DRW:HYAJIMA 2005/12/27 CHK:D:TANAKA 2006/01/05 APPR:NUKITA 2006/01/10	GENERAL TOLERANCES (UNLESS SPECIFIED)		DIMENSION STYLE MM ONLY		SCALE ---	DESIGN UNITS METRIC	THIRD ANGLE PROJECTION
	10 UNDER	±0.2	DRAWN BY MHAYASHI	DATE 2000/05/31	TITLE 0.4 BTB CONN REC ASSY RA W/O BOSS EMBSTP PKG		
	10 OVER 30 UNDER	±0.25	CHECKED BY TITO	DATE 2000/05/31	MOLEX INCORPORATED		
	30 OVER	±0.3	APPROVED BY MFUKUSHI	DATE 2000/05/31	DOCUMENT NO. SD-54552-010		
	ANGULAR	±3 °	MATERIAL NO. SEE CHART		SHEET NO. 3 OF 3		
	DRAFT WHERE APPLICABLE MUST REMAIN WITHIN DIMENSIONS		SIZE A3		THIS DRAWING CONTAINS INFORMATION THAT IS PROPRIETARY TO MOLEX INCORPORATED AND SHOULD NOT BE USED WITHOUT WRITTEN PERMISSION		