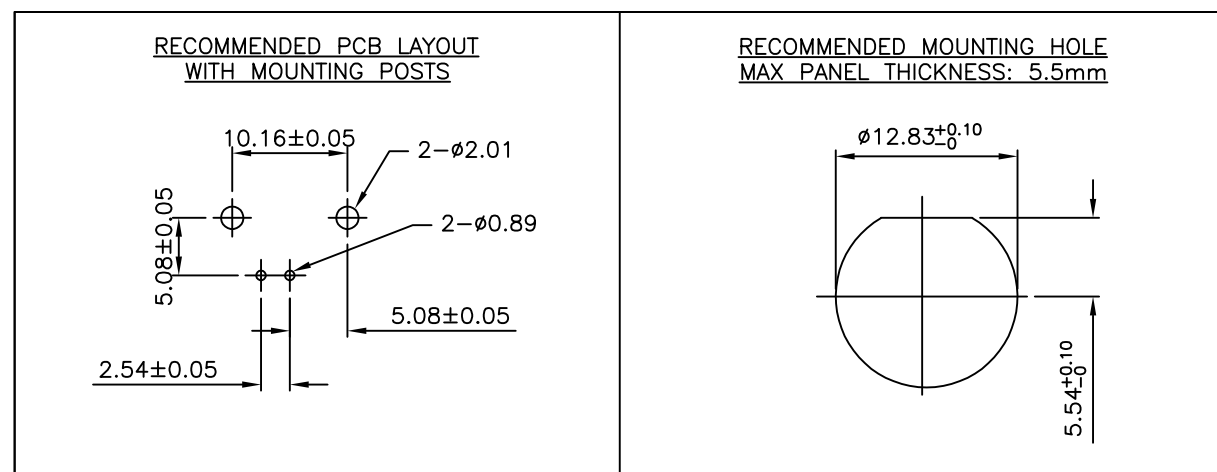
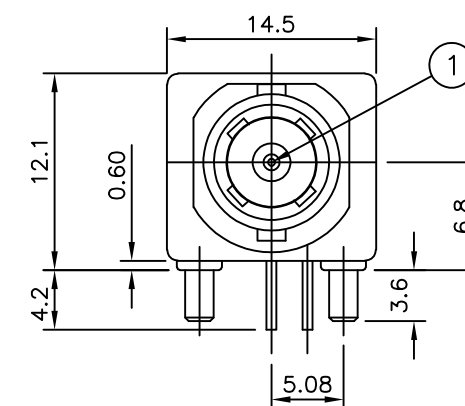
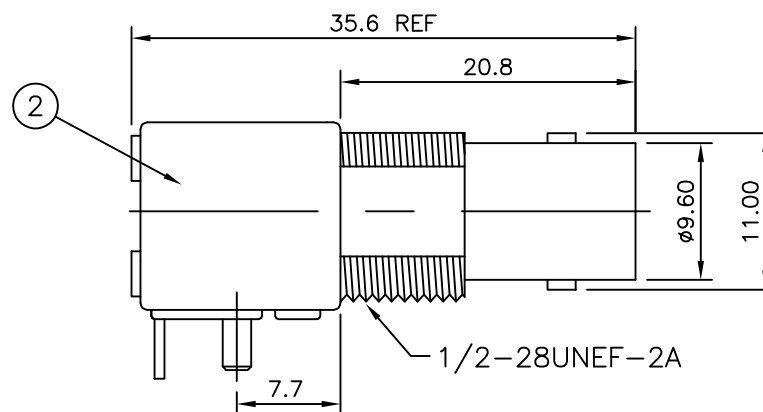
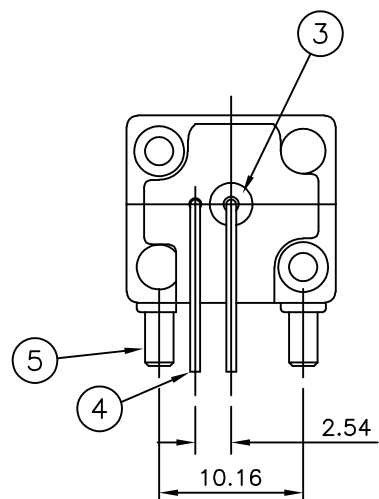


| LOC | DIST | REVISIONS | | | | | |
|-----|------|-----------|-----|---------------|-----------|------|------|
| E | B | P | LTR | DESCRIPTION | DATE | DWN | APVD |
| | | D | | ECO-09-003420 | 05 Mar 09 | RITA | BOB |

NOTES:

- ① SINGLE PACK IN ACCORDANCE WITH AMP SPEC 107-3275
- ② 50 TRAY PACK IN ACCORDANCE WITH AMP SPEC 107-3275
- ③ Au PLATING
- ④ Ni PLATING
- ⑤ TIN PLATING
- 6. FOR TECHNICAL DATA REFER TO YOUR LOCAL TYCO ELECTRONICS SALES OFFICE
- 7. ALL DIMENSIONS ARE NOMINAL FOR REFERENCE ONLY UNLESS OTHERWISE STATED



| QTY | QTY | MATERIAL | DESCRIPTION | ITEM |
|------|------|------------|---------------|------|
| 2 | 2 | BRASS | MOUNTING POST | 5 |
| 1 | 1 | BRASS | SOLDER TAIL | 4 |
| 1 | 1 | PE-606 | INSULATOR | 3 |
| 1 | 1 | ZINC ALLOY | BODY | 2 |
| 1 | 1 | BRASS | CONTACT | 1 |
| 6--0 | 1--0 | MATERIAL | DESCRIPTION | ITEM |

| | | | | | |
|--|--|-------------------------------|--|--|--|
| THIS DRAWING IS A CONTROLLED DOCUMENT. | | DWN RITA ZUO 05 Mar 09 | Tyco Electronics Corporation Kunshan, Jiangsu, PRC 215312 | | |
| DIMENSIONS: MM | | CHK ANSON MA 05 Mar 09 | NAME BNC SHIELDED LOW PROFILE ELBOW PCB SOCKET 75 OHM | | |
| TOLERANCES UNLESS OTHERWISE SPECIFIED: | | APVD BOB ZHAO 05 Mar 09 | PRODUCT SPEC 108-112000 | | |
| 0 PLC ± 0.5 | | APPLICATION SPEC | | | |
| 1 PLC ± 0.3 | | SIZE A3 | | | |
| 2 PLC ± 0.2 | | CAGE CODE 00779 | | | |
| 3 PLC ± - | | DRAWING NO C-1478030 | | | |
| 4 PLC ± - | | RESTRICTED TO | | | |
| ANGLES ± - | | WEIGHT - | | | |
| MATERIAL SEE TABLE | | CUSTOMER DRAWING | | | |
| FINISH SEE TABLE | | SCALE NTS | | | |
| | | SHEET 1 OF 1 | | | |
| | | REV D | | | |