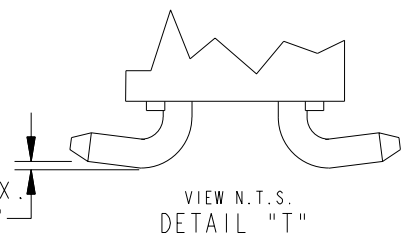
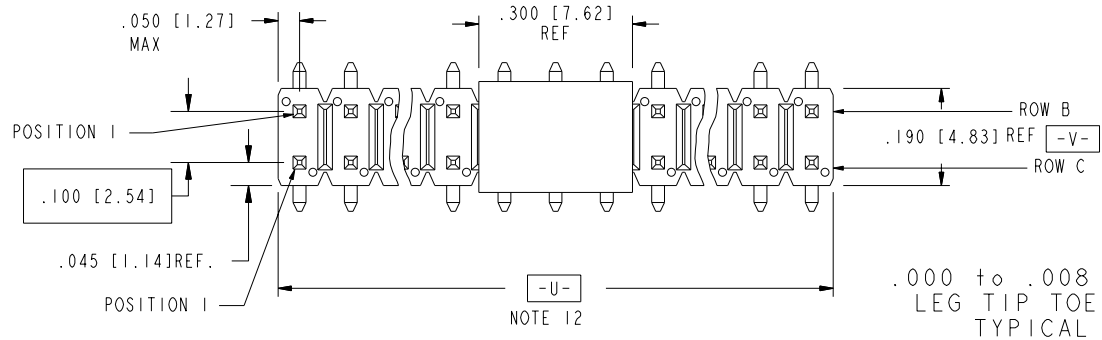
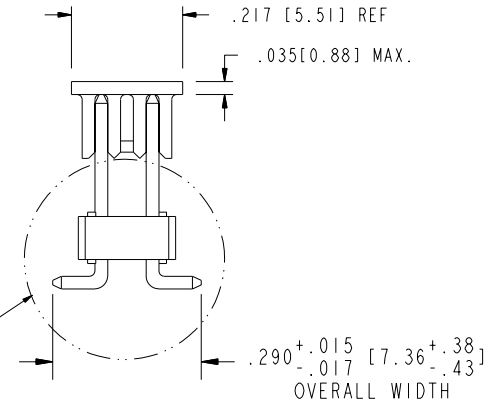
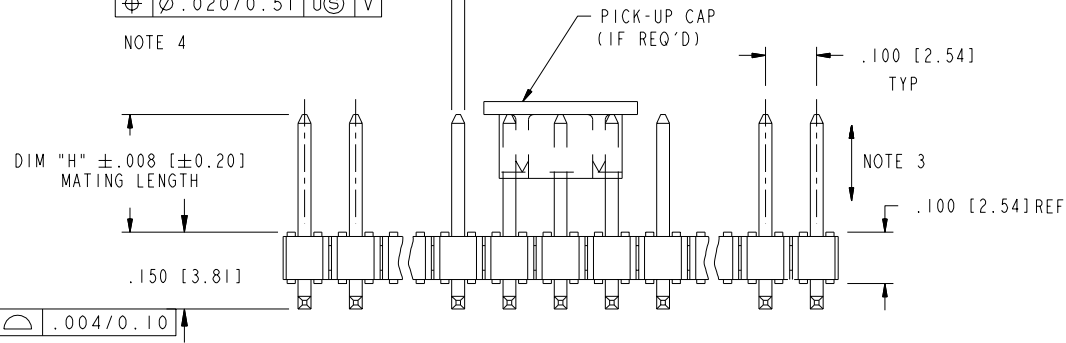


PRODUCT NO.  
XXXXX-XYYP XXX LF

- LEAD FREE OPTION (SEE NOTE 8 & 10)
- POLARIZATION NOTE 12
- PACKAGING OPTIONS (SEE NOTE 6)
- NO. OF POSITIONS (SEE NOTE 5)
- PLATING NUMBER (SEE SHEET 2)
- BASE PART NUMBER (SEE SHEET 4)



□ .025±.001 [0.64±0.03] TYP.  
⊕ ∅ .020/0.51 U S V  
NOTE 4



Copyright FCI.

rev	ecn no	dr	date
AB	M08-0237	MHT	3/03/08
AC	M08-0291	MHT	10/08/08
AD	M08-0326	MHT	11/19/08
AE	M09-0055	MHT	3/26/09
AF	M09-0083	MHT	6/03/09
AG	M09-0131	MHT	8/31/09
AH	N10-0332	David	9/20/10

www.fciconnect.com		surface ISO 1302 ✓	tolerance std ISO 406 ISO 1101	projection ISO 1101	INCH/MM
		TOLERANCES UNLESS OTHERWISE SPECIFIED			
Dr	M.CLOUSER	4/28/95	ANGULAR	size A3	Scale &scal
Eng	T.HANNA	4/28/95	LINEAR	ECN	N10-0332
Chr	T.HANNA	4/28/95	0° ±2°	Product family	Spec ref
Appr	T.HANNA	4/28/95			
FCI		BERGSTIK II HEADER DR		dwg no	95157
		.100cc DUPLEX VERT. SMT			Rev. AH
		catalog no	CUSTOMER	sheet 1 of 5	

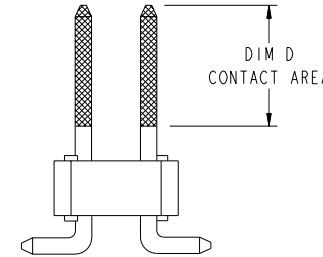
REV F - 2006-04-17

PRODUCT NUMBER	CONTACT AREA "DIM D" PLATING	TAIL PLATING
XXXXX-1YY	30u"/0.76u Au OVER 50u"/1.27u Ni.	100u"/2.54u TIN OVER 50u"/1.27u Ni.
XXXXX-2YY	15u"/0.38u Au OVER 50u"/1.27u Ni.	100u"/2.54u TIN OVER 50u"/1.27u Ni.
XXXXX-1YYLF	30u"/0.76u Au OVER 50u"/1.27u Ni.	100u"/2.54u TIN OVER 50u"/1.27u Ni.
XXXXX-2YYLF	15u"/0.38u Au OVER 50u"/1.27u Ni.	100u"/2.54u TIN OVER 50u"/1.27u Ni.
XXXXX-4YYLF	100u"/2.54u" min Sn OVER 50u"/1.27u min Ni.	100u"/2.54u TIN OVER 50u"/1.27u Ni.

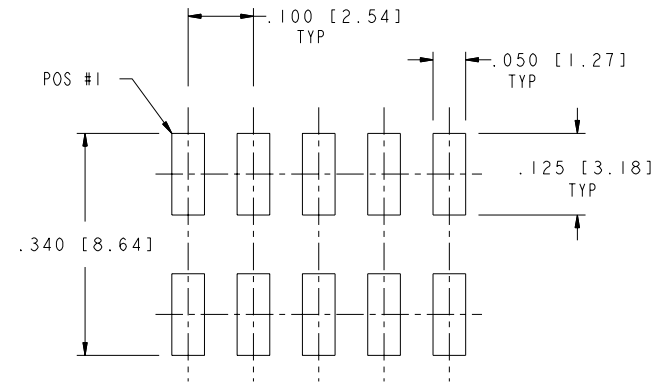
(NOTE 11 & 13)  
 (NOTE 11 & 13)  
 (NOTE 11 & 13)  
 (NOTE 11 & 13)  
 (NOTE 11)

NOTES:

- ① BODY MATERIAL: GLASS FIBER REINFORCED PCT OR PA46 FLAME RETARDENT PER UL-94V-0. COLOR: BLACK  
OR  
MINERAL FILLED LCP FLAME RETARDENT PER UL-94V-0. COLOR: BLACK
- ② PIN MATERIAL: PHOS-BRONZE.
- ③ 2 Lbs / 0.9 Kg MIN PIN RETENTION IN EITHER DIRECTION.
- ④ MEASURED WITH PART IN RESTRAINED CONDITION.
- ⑤ NUMBER OF POSITIONS FROM 4(2X2) THRU 40(2X20) EXCEPT TAPE-ON-REEL AVAILABLE 4(2X2) THRU 34(2X17) ONLY.
- ⑥ PACKAGING OPTIONS: CHECK SPECIFIC PART NUMBERS FOR AVAILABILITY. PART NUMBERS WITHOUT A SUFFIX ARE PACKAGED IN POLY BAGS. PART NUMBERS FOLLOWED BY A "T" SUFFIX ARE PACKAGED IN TUBES. PART NUMBERS FOLLOWED BY A "V" SUFFIX ARE PACKAGED TAPE-ON-REEL WITH A PICK-UP CAP INSTALLED CETRALLY LOCATED. PART NUMBERS FOLLOWED BY A "VM" SUFFIX ARE PACKAGED DIFFERENT TAPE-ON-REEL WITH A PICK-UP CAP INSTALLED CETRALLY LOCATED. AVAILABLE PART NUMBERS SEE TAB. PART NUMBERS FOLLOWED BY A "W" SUFFIX ARE PACKAGED TAPE-ON-REEL WITHOUT A PICK-UP CAP.
- ⑦ CONTACT MARKETING BEFORE ORDERING ODD POSITION PART NUMBERS (2X3, 2X5, 2X7, ETC.).
- ⑧ ADD LF TO THE END OF PART NUMBER FOR LEAD FREE OPTION.
- ⑨ THE HOUSING WILL WITHSTAND EXPOSURE TO 260°C PEAK TEMPERATURE FOR 20 SECONDS IN A CONVECTION, INFRA-RED OR VAPOR PHASE REFLOW OVEN. SEE APPLICATION NOTES/PROCEDURES IF THEY ARE AVAILABLE.
- ⑩ THESE PRODUCTS MEETS EUROPEAN UNION DIRECTIVES AND OTHER COUNTRY REGULATION AS DESCRIBED IN GS-22-008.
- ⑪ "THIS PRODUCT HAS 100% TIN PLATING IN THE INTERFACE AND HAS NOT BEEN TESTED FOR WISKER GROWTH IN ALL INTERCONNECT ENVIROMENTS".
- ⑫ FOR POLARIZATION SPECIFY POSITION NUMBER (i.e. B03 = ROW B POSITION 3) TO OMIT AN OMIT FROM PRODUCT NUMBER IF THIS TEXTURE IS NOT APPLICABLE PRODUCT MANAGER APPROVAL REQUIRED PRIOR TO RELEASE OR SALE OF POLARIZED PRODUCTS.
- ⑬ PLATING OPTIONS: MAY BE EITHER GOLD OR GXT PLATED AT MANUFACTURER'S OPTION.



DOUBLE ROW SMT  
END VIEW



DOUBLE ROW  
RECOMMENDED PAD LAYOUT  
SCALE: 4/1

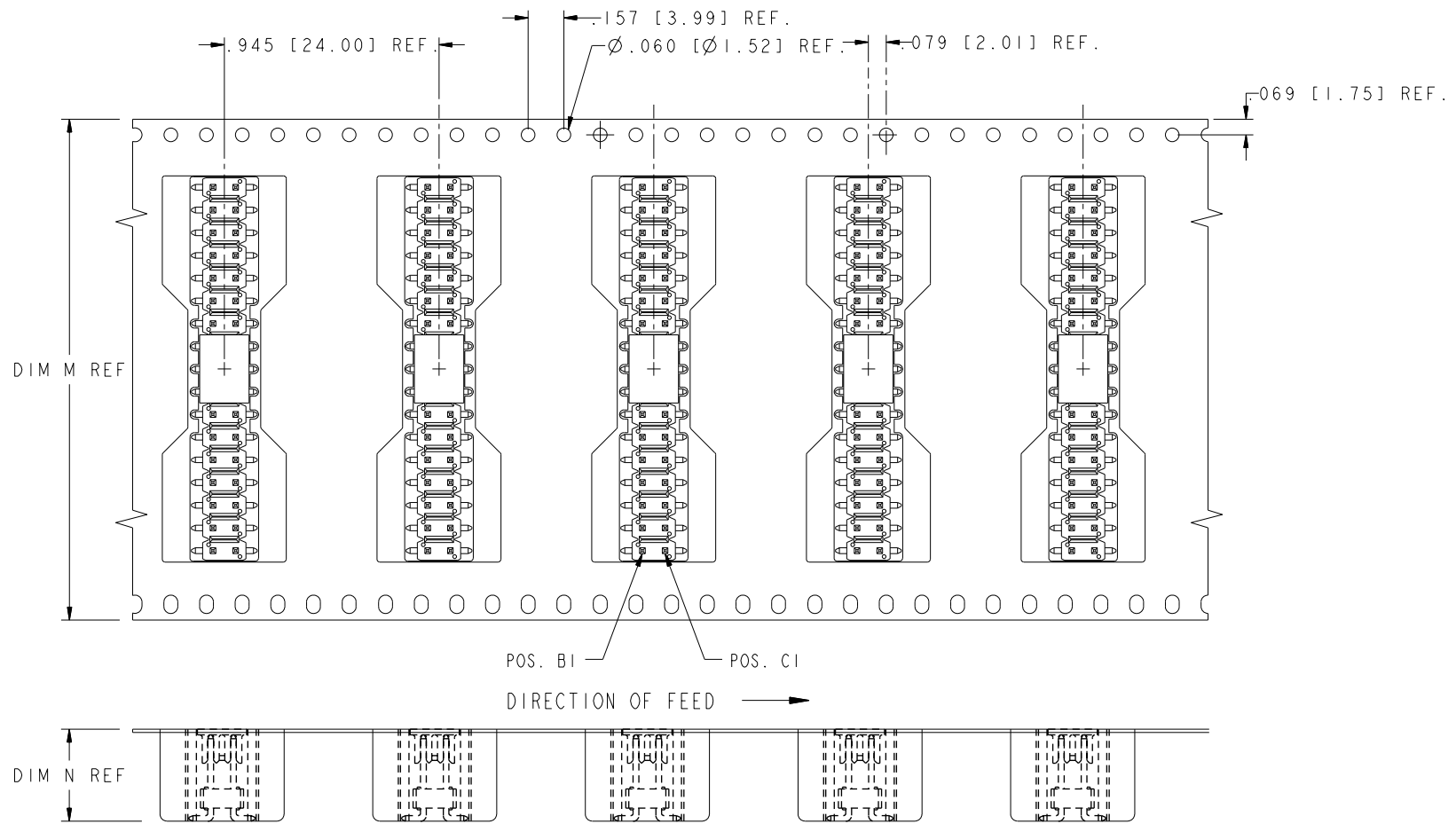


Copyright FCI.

	Title	BERGSTIK 11 HEADER DR	dwg no 95157	Rev. AH
	.100cc DUPLEX VERT. SMT catalog no	CUSTOMER		

REV F - 2006-04-17

PRODUCT NUMBER  
SEE TABLE

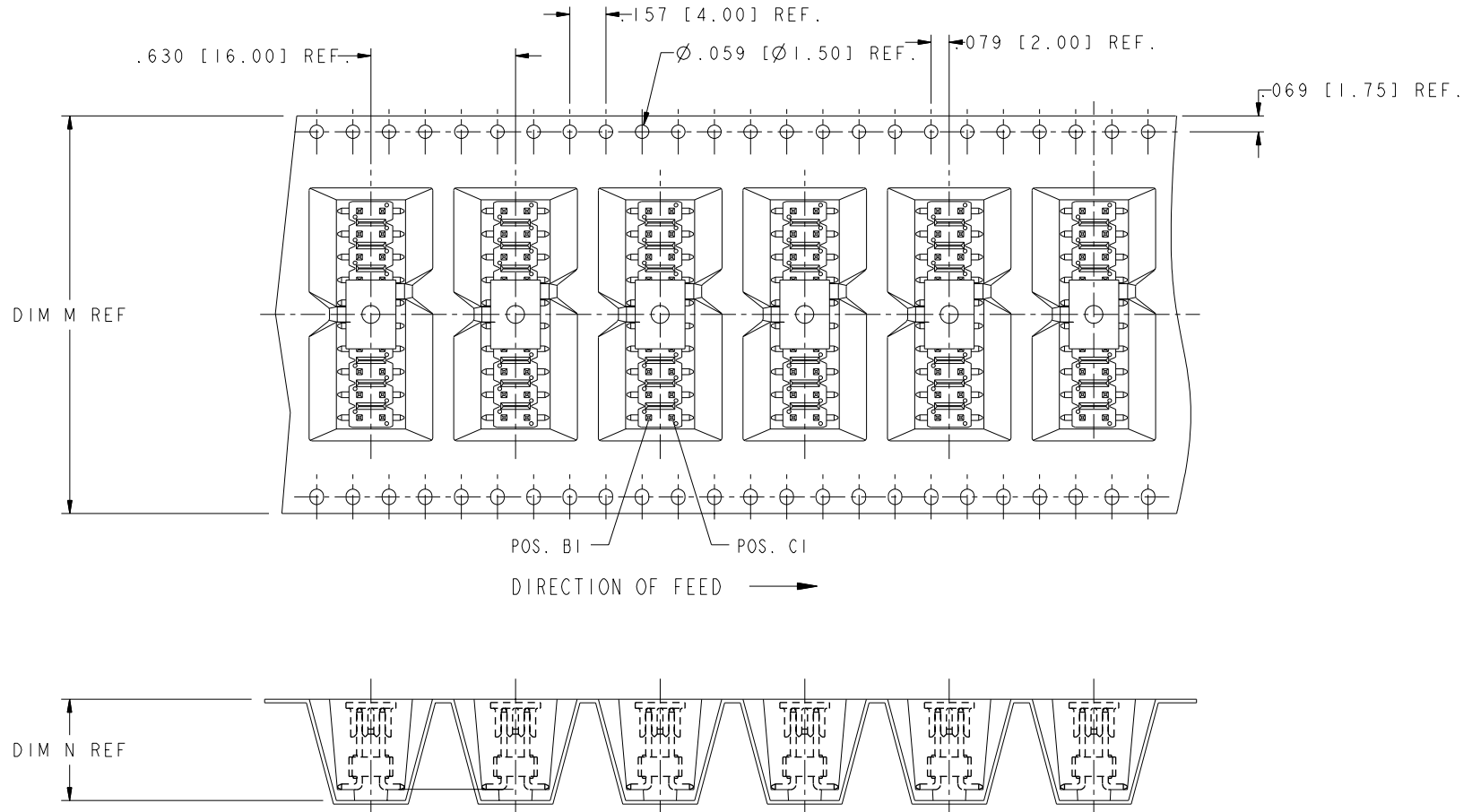


Copyright FCJ.

	title	BERGSTIK II HEADER DR	dwg no	95157	Rev.	AH
		.100cc DUPLEX VERT. SMT				
	catalog no		CUSTOMER	sheet 3 of 5		

REV F - 2004-04-17

PRODUCT NUMBER  
SEE TABLE



Copyright FCJ.

	title	BERGSTIK II HEADER DR		Rev.	
		.100cc DUPLEX VERT. SMT		dwg no	95157
	catalog no			CUSTOMER	sheet 4 of 5

REV F - 2006-04-17

PDM: Rev:AH

STATUS:Released

Printed: Dec 01, 2010

1		2			3		4		
PRODUCT NUMBER	MATING LENGTH DIM H	CONTACT AREA DIM D	TAPE WIDTH DIM M	POCKET PITCH	POCKET DEPTH DIM N	PACKAGING	LF OPTION		
55426-XXY	NOT AVAILABLE							SEE NOTES 8, 9, 10 ↓	A
72598-XXY	.330/8.38	.200/5.08	-/-	-/-	-/-	POLY BAGS			
84731-XXY	NOT AVAILABLE								
84733-XXY	NOT AVAILABLE								
95157-XXY	.230/5.84	.185/4.70	2.205/56.00	.945/24.0	.43/11.0	POLY BAGS/TAPE-ON-REEL/TUBES			
95157-210V	.230/5.84	.185/4.70	1.26/32	.945/24.0	.43/11.0	TAPE ON REEL			
95157-216V	.230/5.84	.185/4.70	1.73/44	.945/24.0	.43/11.0	TAPE ON REEL			
95157-X10VM	.230/5.84	.185/4.70	.945/24	.630/16.0	.441/11.2	TAPE ON REEL			
95157-X14VM	.230/5.84	.185/4.70	1.73/44	.630/16.0	.441/11.2	TAPE ON REEL			
95157-X16VM	.230/5.84	.185/4.70	1.73/44	.630/16.0	.441/11.2	TAPE ON REEL			
95157-X20VM	.230/5.84	.185/4.70	1.73/44	.630/16.0	.441/11.2	TAPE ON REEL			
95159-XXY	.318/8.08	.200/5.08	2.205/56.00	.945/24.0	.52/13.2	POLY BAGS/TAPE-ON-REEL/TUBES NOTE 7			
98273-XXY	.360/9.14	.200/5.08	-/-	.945/24.0	-/-	POLY BAGS			
71276-XXYH	.230/5.84	.200/5.08	2.205/56.00	.945/24.0	.433/11.00	POLY BAGS/TAPE ON REEL			
71276-408HV	.230/5.84	.200/5.08	.945/24.00	.945/24.0	.433/11.00	TAPE ON REEL			
71276-410HV2	.230/5.84	.200/5.08	.945/24.00	.945/24.0	.415/10.54	TAPE ON REEL			
71277-XXYH	.318/8.08	.288/7.32	2.205/56.00	.945/24.0	.524/13.28	POLY BAGS/TAPE ON REEL, NOTE 7			
71276-XXYHLF	.230/5.84	.200/5.08	2.205/56.00	.945/24.0	.433/11.00	POLY BAGS/TAPE ON REEL			
71276-408HVLF	.230/5.84	.200/5.08	.945/24.00	.945/24.0	.433/11.00	TAPE ON REEL			
71276-410HV2LF	.230/5.84	.200/5.08	.945/24.00	.945/24.0	.415/10.54	TAPE ON REEL			
71277-XXYHLF	.318/8.08	.288/7.32	2.205/56.00	.945/24.0	.524/13.28	POLY BAGS/TAPE ON REEL, NOTE 7			
								D	



Copyright FCJ.

	title	BERGSTIK II HEADER DR	dwg no	95157	Rev.	AH
		.100cc DUPLEX VERT. SMT				
	catalog no	CUSTOMER	sheet 5 of 5			

REV F - 2006-04-17