

4

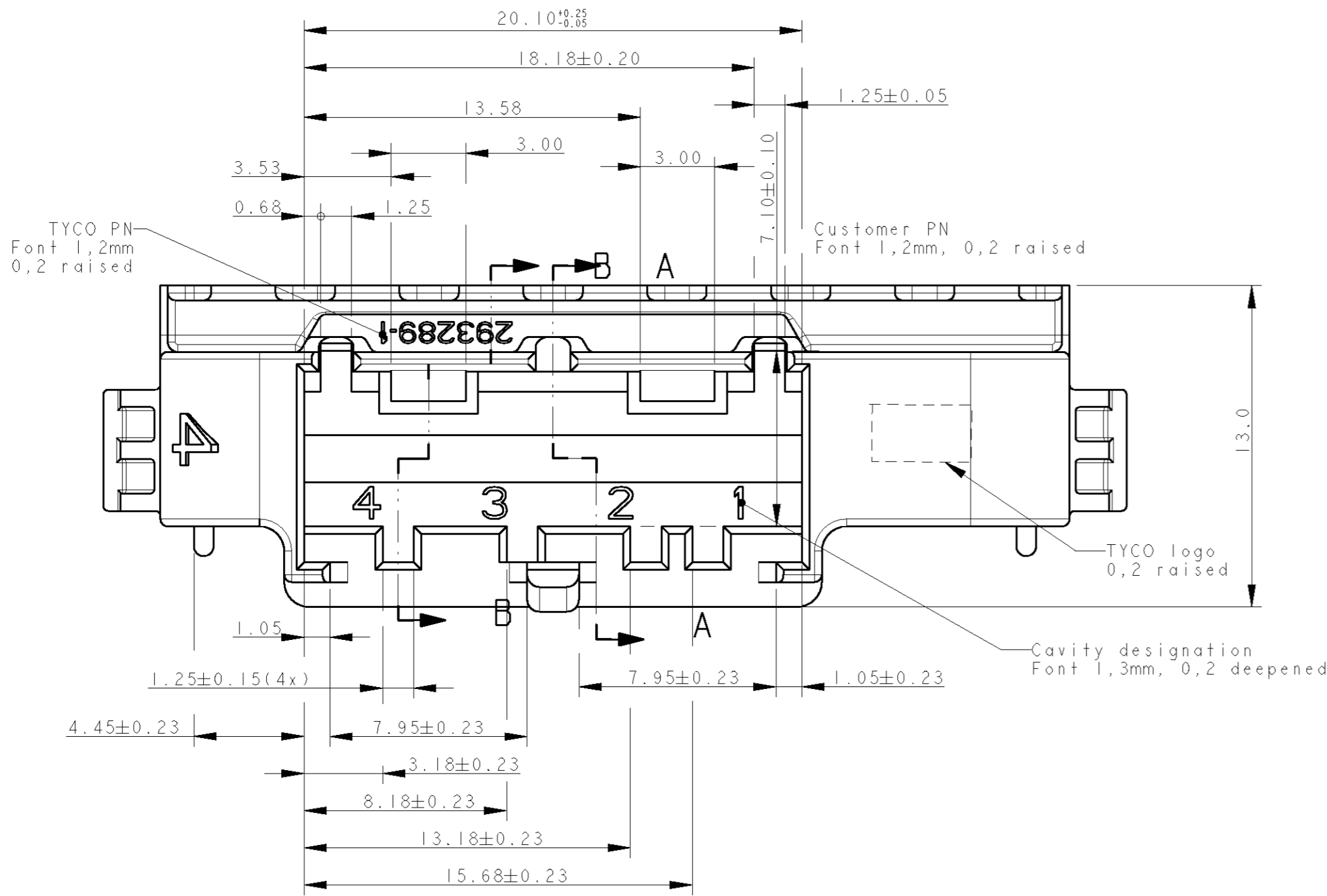
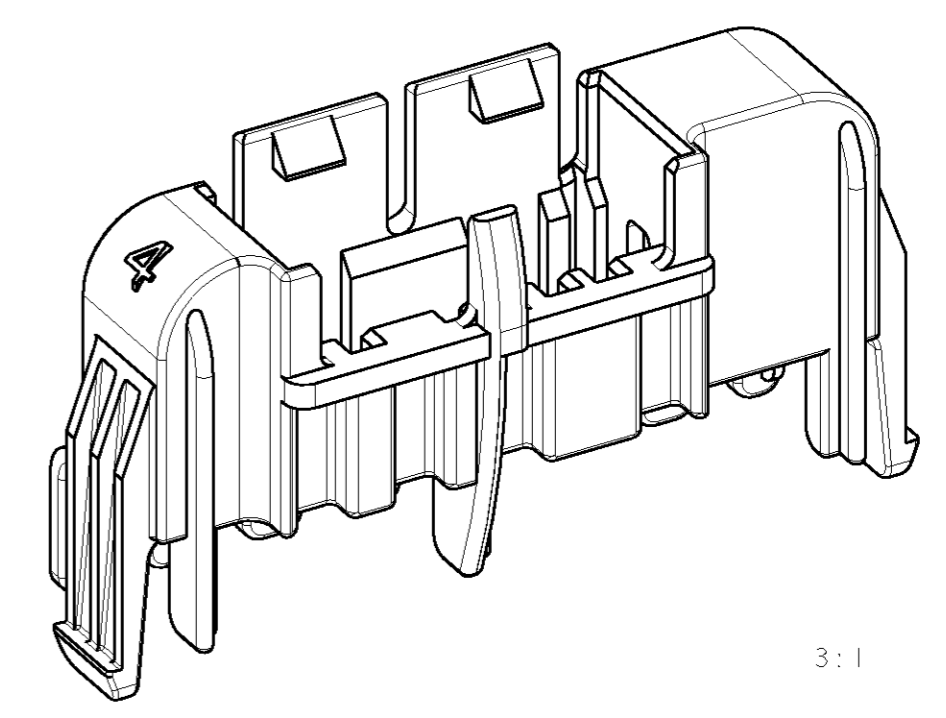
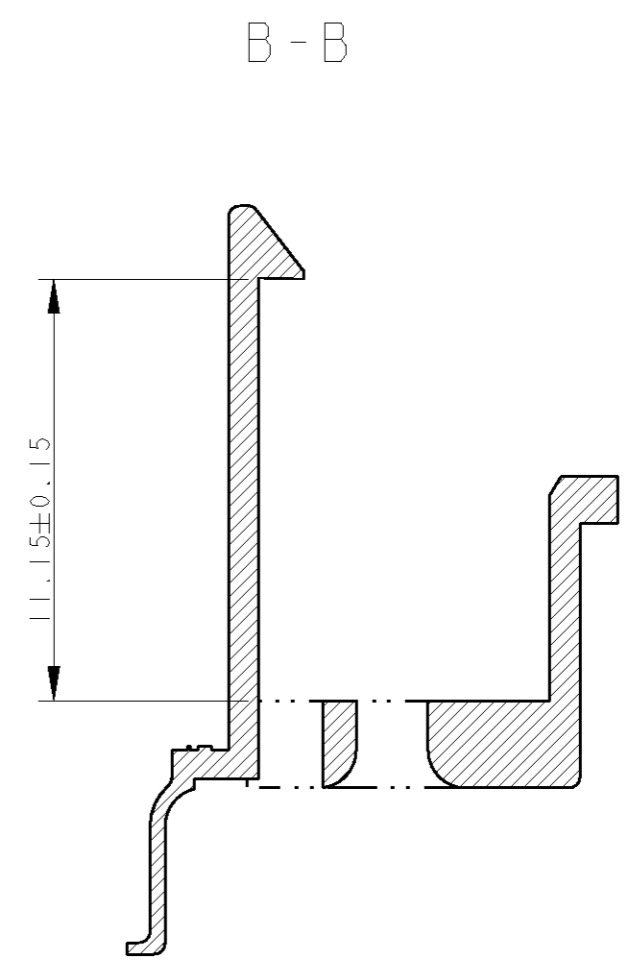
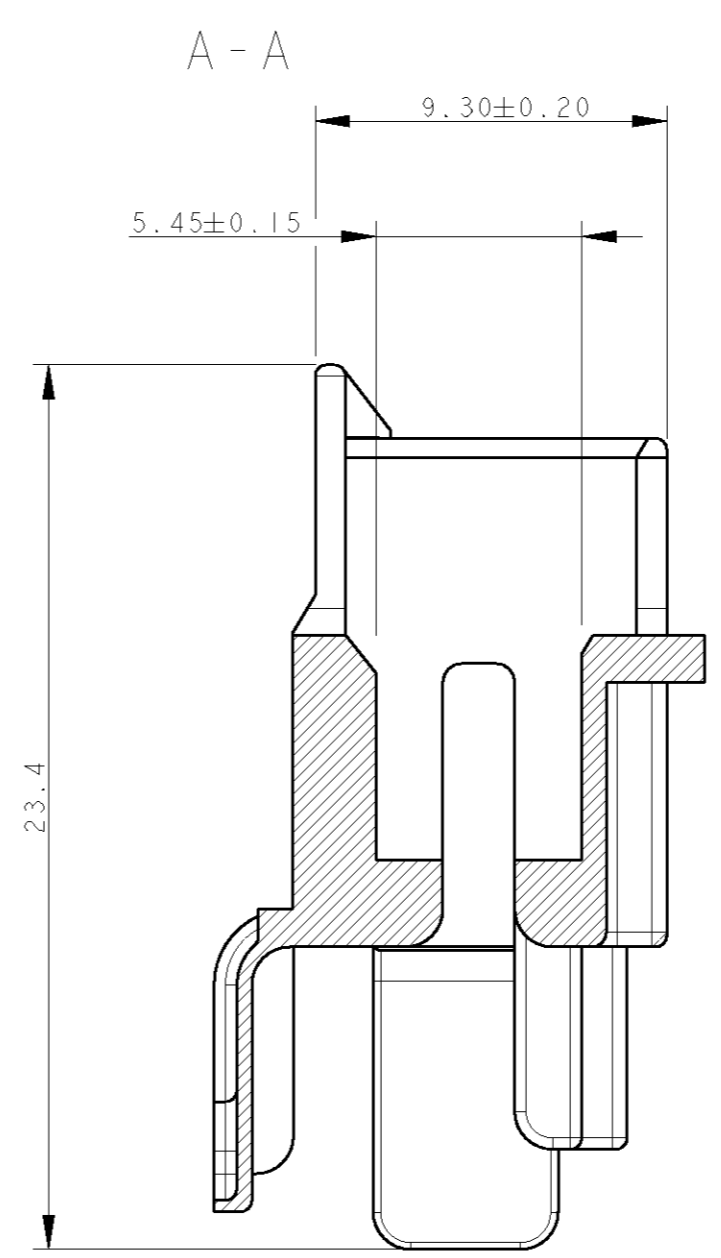
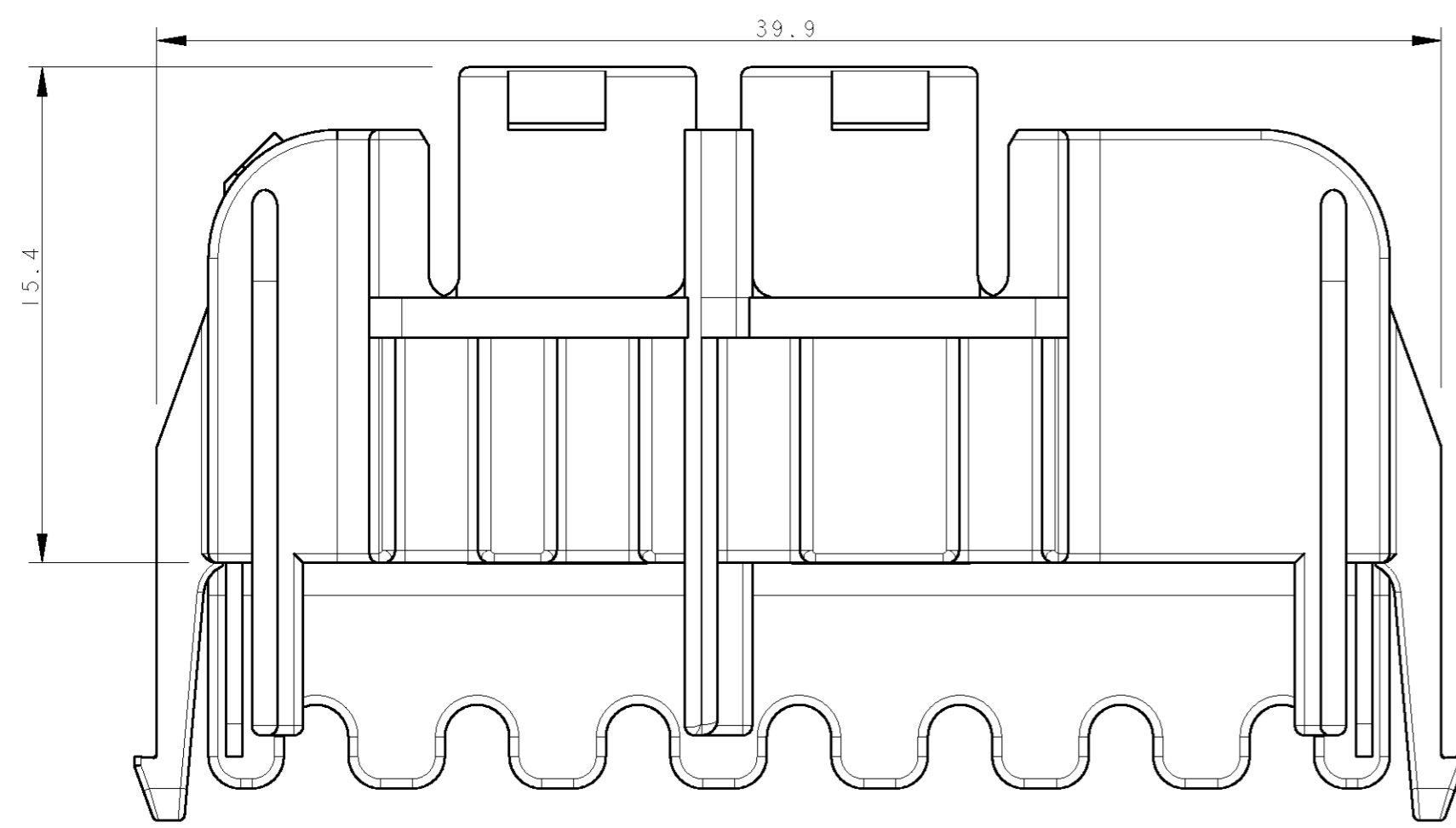
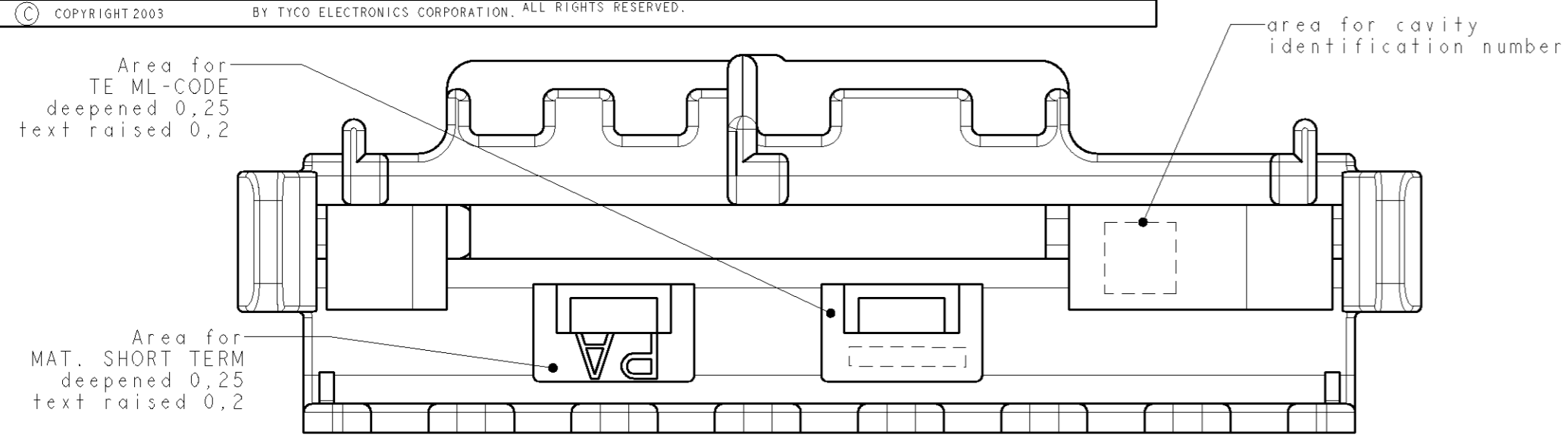
3

2

1

THIS DRAWING IS UNPUBLISHED. RELEASED FOR PUBLICATION 2003
 © COPYRIGHT 2003 BY TYCO ELECTRONICS CORPORATION. ALL RIGHTS RESERVED.

| REVISIONS | | | | | |
|-----------|-----|----------------|-------------|-----|------|
| P | LTR | DESCRIPTION | DATE | DWN | APVD |
| 0 | | FIRST EMISSION | 21 MAR 2007 | HY | GT |
| A | | RELEASED | 20DEC2007 | HY | GT |
| AI | | UPDATED | 09APR2008 | HY | GT |



| | | | |
|---------|-------------------------------|------|----------|
| NATURAL | Schulamid 6GF15FR4KI681/15%GF | A | 293289-1 |
| COLOR | MATERIAL | REV. | PART NO |

| | | | | | |
|--|--|------------------------|-----------|--|--------------------|
| THIS DRAWING IS A CONTROLLED DOCUMENT FOR TYCO ELECTRONICS CORPORATION IT IS SUBJECT TO CHANGE AND THE CONTROLLING ENGINEERING ORGANIZATION SHOULD BE CONTACTED FOR THE LATEST REVISION. | | DWN H. Yaqali | 21MAR2007 | AMP Italia S.p.A. C.so F.lli Cervi, 15 COLLEGGNO (TO) | |
| DIMENSIONS: mm | | CHK H. Yaqali | - | NAME | |
| TOLERANCES UNLESS OTHERWISE SPECIFIED: 0 PLC ± 1 PLC ±0.2 2 PLC ± 3 PLC ± 4 PLC ± ANGLES ±° FINISH | | APVD G. Turco | - | PRODUCT SPEC | |
| MATERIAL | | APPLICATION SPEC | | CODING FRAME 2+2 POS. | |
| | | WEIGHT | - | SIZE A2 | CAGE CODE 00779 |
| | | DRAWING NO G-293289 | | RESTRICTED TO | - |
| | | SCALE 5:1 | | SHEET | OF 1 |
| | | | | REV | AI |