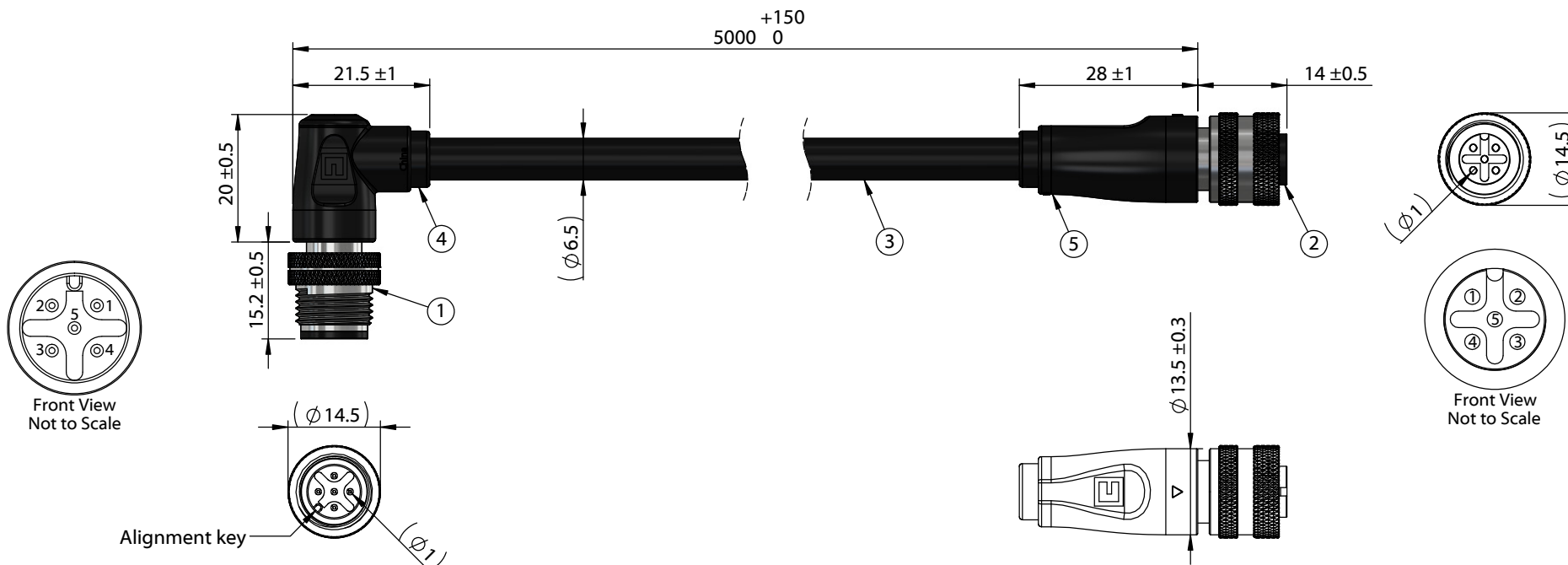


ITEM NO.	PART NUMBER	DESCRIPTION	QTY.	COMPONENT NOTES
1	50-00988	Connector, 5 pin M12 A-code plug, 12xL22mm, gold plated, molding style, solder cup, IP67, shielded	1	
2	50-00981	Connector, 5 pin M12 A-code socket, 12xL22mm, gold plated, molding style, solder cup, IP67, shielded	1	
3	30-01586	Wire, 5C TS, 22 AWG, UL20387, 300V, 105C, 60C oil, UV, 6.5 mm, shielded, VW-1, PVC, 80A, black	1	
4	24-00361	Overmold, M12 plug and jack, 90°	1	PVC, black
5	24-00349	Overmold, M12 plug and jack, 180°	1	PVC, black



**Notes:**  
 Cable rated for 60 V, 4 A  
 Temperature: -40 ~ 105 °C  
 Oil resistant up to 60 °C  
 Water resistant up to 75 °C  
 UV resistant

IP67 waterproof rating when mated with corresponding (IP67) connector  
 Functionally equivalent components may be substituted

Wiring Diagram		
50-00988	wire color	50-00981
1	red	1
2	yellow	2
3	black	3
4	white	4
5	blue	5
Shell	shield/drain	Shell

Revision: A	Date: 1/4/2022	Description: Initial release	Prepared: <b>PB</b> <small>Digitally signed by PB Date: 2022.01.24 11:22:51 -08'00'</small>	Notes: RoHS compliant Function test: no open, no short circuit, no intermittent	<h1>TENSILITY</h1> <p>tel 1.541.323.3228 800 877.670.7118          fax 1.541.323.4202 web tensility.com</p>
			Verified: <b>MP</b> <small>Digitally signed by MP Date: 2022.01.24 14:09:38 -08'00'</small>	Description: Cable, 5000 mm, 1.0 mm 5C 90° 50-00988 M12 plug to 1.0 mm 50-00981 M12 socket, 22 AWG, 30-01586 wire	
			Dimensions are in millimeters. Tolerances: X: ± 0.5 mm X.X: ± 0.3 mm X.XX: ± 0.05 mm		Size: A Part number: 10-05088
					Scale: 1:1  Sheet 1 of 1

5 4 3 2 1

To see a custom version of this cable assembly, call Tensility at 541-323-3228 or email engineering@tensility.com