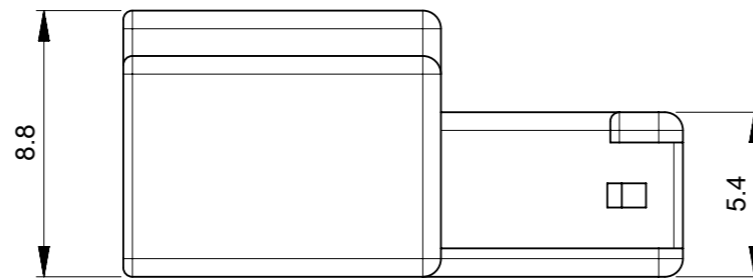
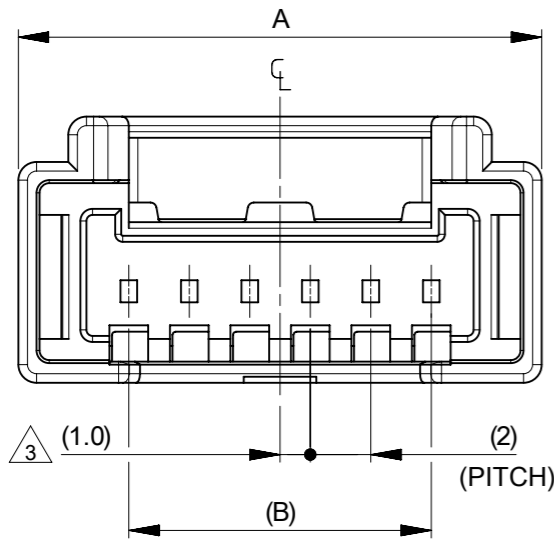
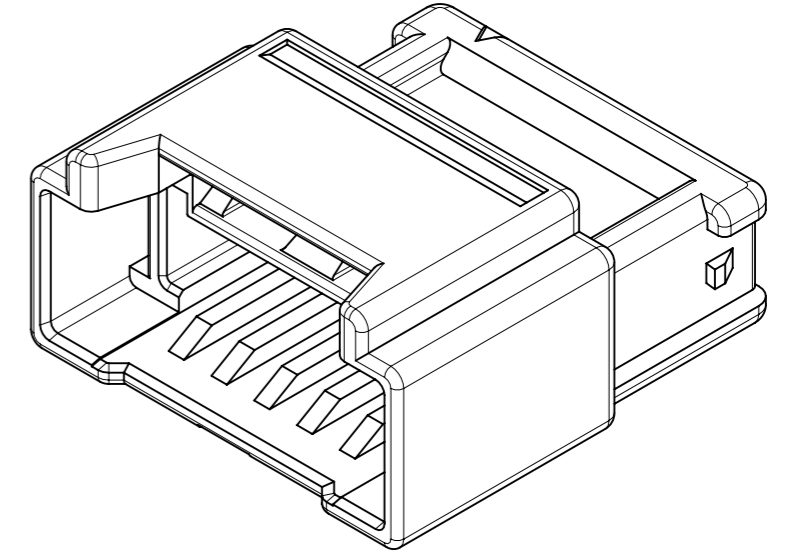
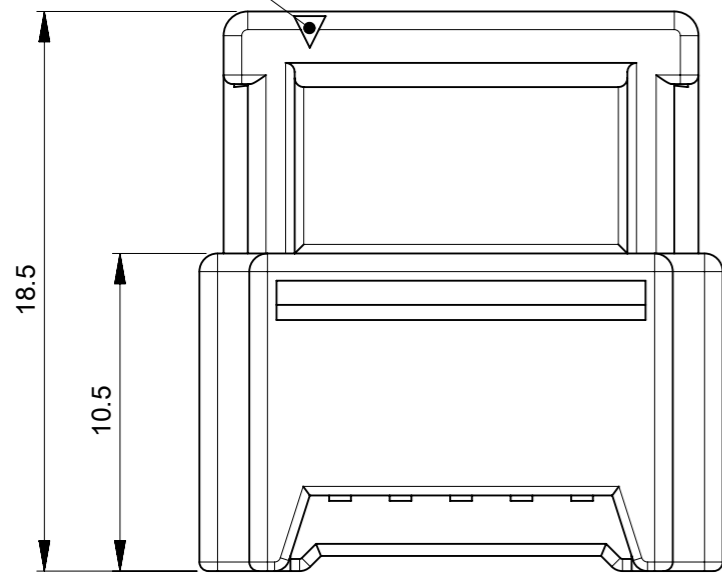


回路番号1マーク
CIRCUIT 1 MARK

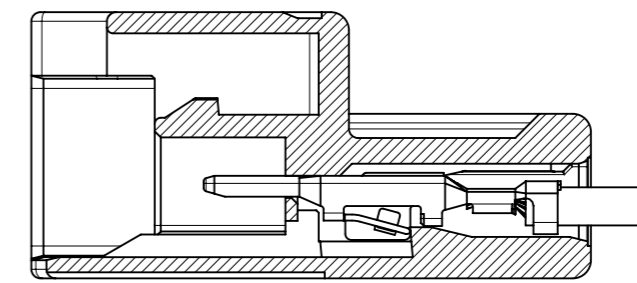


トレードマーク
TRADE MARK

キャビティ番号および金型番号
CAV & MOLD NUMBER

回路番号N
CIRCUIT N

回路番号1
CIRCUIT 1



ターミナル装着図
TERMINAL ASSEMBLY DRAWING

16	23.3	9
14	21.3	8
12	19.3	7
10	17.3	6
8	15.3	5
6	13.3	4
4	11.3	3
2	9.3	2
B	A	極数 CIRCUIT SIZE

注記 :

NOTES :

- ① 材質 : TABLE 1参照
MATERIAL : SEE TABLE 1
- ② 製品仕様書、コネクタ取扱説明書、適合嵌合相手、適合端子はSHEET 2をご参照ください。
PLEASE REFER TO SHEET 2 FOR PRODUCT SPECIFICATION, APPLICATION SPECIFICATION, MATE WITH AND APPLICABLE TERMINAL.
- ③ 偶数極に適用
APPLY FOR EVEN CIRCUIT
- ④ 発注番号 : SHEET 2参照
ORDER NUMBER : PLEASE REFER TO SHEET 2 FOR ORDER NUMBER LIST.

2137192***

ハウジングカラー HOUSING COLOR
0 : ナチュラル(白) NATURAL(WHITE)
1 : 黒 BLACK

極数 CIRCUIT SIZE

① TABLE 1

部品 PART	材質 MATERIAL
ハウジング HOUSING	ポリアミド(PA), ガラス充填, UL94V-0, 色 : SHEET 2参照 POLYAMIDE (PA), GLASS FILLED, UL94V-0, COLOR : SEE SHEET 2

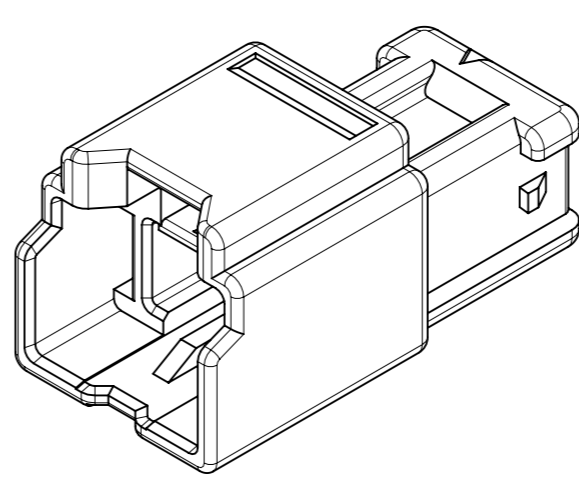
THIS DRAWING CONTAINS INFORMATION THAT IS PROPRIETARY TO MOLEX ELECTRONIC TECHNOLOGIES, LLC AND SHOULD NOT BE USED WITHOUT WRITTEN PERMISSION									
DIMENSION UNITS mm		SCALE NTS		CURRENT REV DESC:				molex	
GENERAL TOLERANCES (UNLESS SPECIFIED)		ANGULAR TOL ± 3.0°		EC NO: 682237 DRWN: SOKUMURA01 2020/07/13 CHK'D: SAKIYAMA 2022/02/18 APPR: LZENG 2022/03/01					
4 PLACES ± 0.2		3 PLACES ± 0.2		INITIAL REVISION:		DOCUMENT NUMBER		DOC TYPE DOC PART REVISION	
2 PLACES ± 0.2		1 PLACE ± 0.2		DRWN: SOKUMURA01 2020/07/13 APPR: LZENG 2022/03/01		2137190000-SD		PSD 000 A	
0 PLACES ± 0.2		THIRD ANGLE PROJECTION		DRAWING		SERIES		MATERIAL NUMBER CUSTOMER SHEET NUMBER	
DRAFT WHERE APPLICABLE MUST REMAIN WITHIN DIMENSIONS		THIRD ANGLE PROJECTION		DRAWING		SERIES		MATERIAL NUMBER CUSTOMER SHEET NUMBER	
		A3-SIZE		213719		SEE SHEET 2		GENERAL 1 OF 2	

△2 適合製品及び各種仕様書 APPLICABLE PRODUCTS AND VARIOUS SPECIFICATIONS

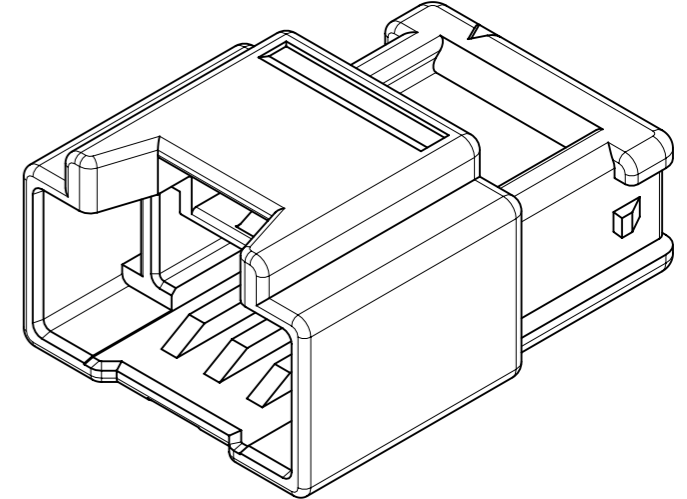
梱包仕様書 PACKAGING SPECIFICATION	製品番号 PART NUMBER	仕様書番号 SPECIFICATION NUMBER
	2137192***	2137199200-SPK PS 200

適合端子 APPLICABLE TERMINAL	製品番号 PART NUMBER	めっきタイプ PLATING TYPE	電線サイズ WIRE SIZE (AWG)
	2137201000	TIN	#22-#26
嵌合相手 MATE WITH	RECEPTACLE HOUSING		
シリーズ番号 SERIES NUMBER	505570		
製品仕様書 PRODUCT SPECIFICATION	5055700003-PS PS 000		
コネクタ取扱説明書 APPLICATION SPECIFICATION	5055700001 PS A03		

製品形状
PRODUCT SHAPE

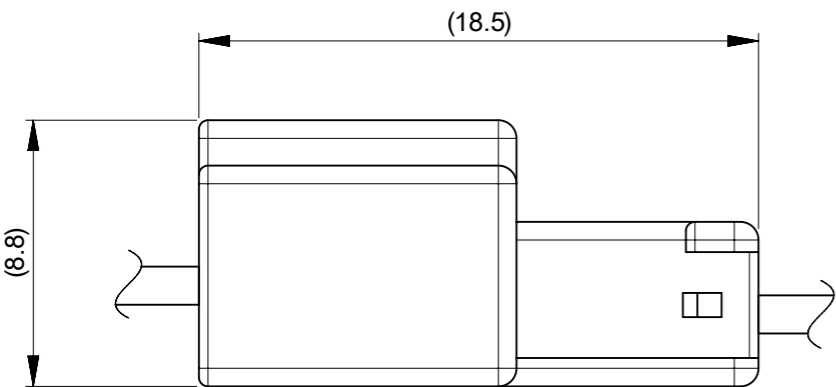
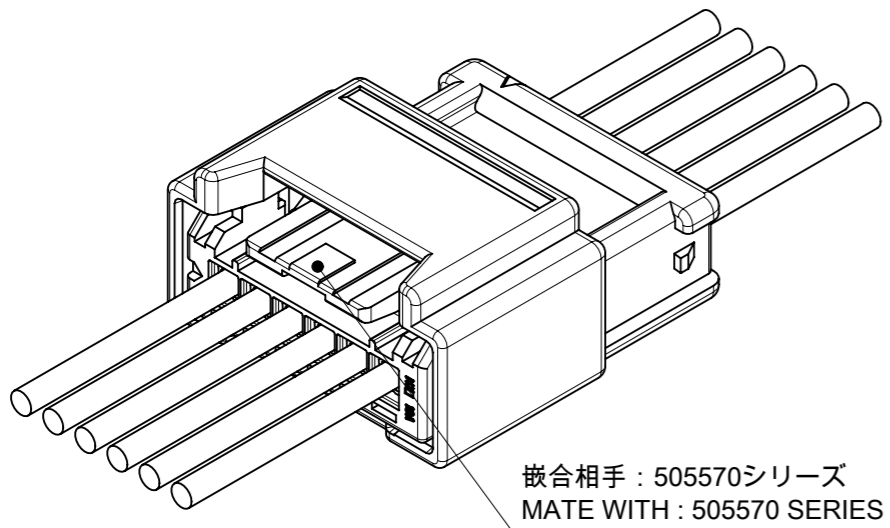


2-3極
2-3 CIRCUIT



4-9極
4-9 CIRCUIT

嵌合図
MATING CONNECTORS



△4 製品一覧
ORDER NUMBER LIST

ハウジングカラー HOUSING COLOR		
黒 BLACK	ナチュラル(白) NATURAL (WHITE)	
2137192091	2137192090	9
2137192081	2137192080	8
2137192071	2137192070	7
2137192061	2137192060	6
2137192051	2137192050	5
2137192041	2137192040	4
2137192031	2137192030	3
2137192021	2137192020	2
発注番号 ORDER NUMBER		極数 CIRCUIT SIZE
梱包形態:ポリ袋 PACKAGING : POLYBAG		

THIS DRAWING CONTAINS INFORMATION THAT IS PROPRIETARY TO MOLEX ELECTRONIC TECHNOLOGIES, LLC AND SHOULD NOT BE USED WITHOUT WRITTEN PERMISSION

DIMENSION UNITS mm	SCALE NTS	CURRENT REV DESC:		molex		
GENERAL TOLERANCES (UNLESS SPECIFIED)		EC NO: 682237				
ANGULAR TOL ± 3.0 °	4 PLACES ± 0.2	DRWN: SOKUMURA01	2020/07/13	PRODUCT CUSTOMER DRAWING		
3 PLACES ± 0.2	2 PLACES ± 0.2	CHK'D: SAKIYAMA	2022/02/18	DOCUMENT NUMBER		
2 PLACES ± 0.2	1 PLACE ± 0.2	APPR: LZENG	2022/03/01	DOC TYPE DOC PART REVISION		
1 PLACE ± 0.2	0 PLACES ± 0.2	INITIAL REVISION:		2137190000-SD PSD 000 A		
DRAFT WHERE APPLICABLE MUST REMAIN WITHIN DIMENSIONS		DRWN: SOKUMURA01	2020/07/13	MATERIAL NUMBER		
THIRD ANGLE PROJECTION		APPR: LZENG	2022/03/01	CUSTOMER		
DRAWING		SERIES		SHEET NUMBER		
A3-SIZE		213719		SEE CHART GENERAL 2 OF 2		