



VRLA Rechargeable Battery

BP4-6 (BP4-6FR)



FEATURES

- Maintenance free(no water topping-up required).
- No free acid(Non-spillable battery).
- Low self-discharge rate, lower than 3% capacity loss per month.
- Can be used in any orientation(excluding used inverted).
- Absorbent Glass Mat technology for efficient gas recombination.

APPLICATION

- UPS
- Fans
- Electronic Toy-Cars
- Emergency Lights
- Rechargeable Flashlights



SPECIFICATIONS

Nominal Voltage	6 V
Nominal Capacity	4.0Ah @ 20 hour rate F.V.(1.75V/cell)
Approx. Weight	850g(1.87lbs.)
Terminals	T1 (Faston Tab 187) T2 is optional
Internal Resistance	≤25mΩ (Fully Charged)
Max. Discharge Current	60 A (5 sec.)
Max. Charge Current	1.20 A
Operating Temperature Range	Charge : 0°C~40°C(32°F~104°F) Discharge : -20°C~50°C(-4°F~122°F) Storage. : -20°C~40°C(-4°F~104°F)
Container Material	ABS(UL94-HB, UL94-V0 is optional)

ISO 9001	
ISO14001	
UL	
CE	
<ul style="list-style-type: none"> ● IEC 61056-1 ● JIS C 8702-1 ● GB/T 19639.1 	

DIMENSION(mm/inch)

OUTER DIMENSIONS

TERMINAL TYPE

Length

70±1.5 (2.76±0.06)

Width

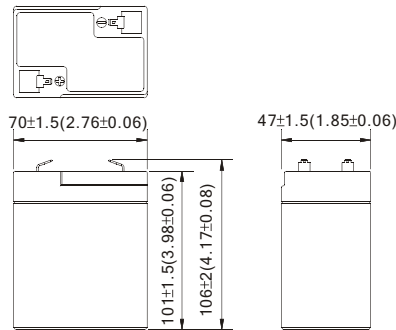
47±1.5 (1.85±0.06)

Container Height

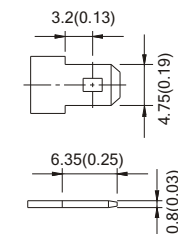
101±1.5 (3.98±0.06)

Total Height

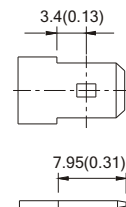
106±2.0 (4.17±0.08)



Terminal T1



Terminal T2



Constant power discharge characteristics at 25 °C/77 °F

Unit: W

Discharge Time F.V. (V/cell)	5 Min	10 Min	15 Min	30 Min	1 Hr	3 Hr	5 Hr	10 Hr	20 Hr
1.80V	72.31	53.23	42.66	25.38	14.556	5.830	4.020	2.246	1.182
1.75V	83.70	57.67	44.62	26.34	14.993	5.946	4.080	2.280	1.200
1.70V	88.93	59.74	46.00	26.95	15.262	6.000	4.102	2.291	1.206
1.65V	92.92	61.18	47.06	27.33	15.446	6.042	4.117	2.298	1.212
1.60V	96.00	62.40	48.00	27.60	15.600	6.078	4.129	2.298	1.212

Constant current discharge characteristics at 25 °C/77 °F

Unit: A

Discharge Time F.V. (V/cell)	5 Min	10 Min	15 Min	30 Min	1 Hr	3 Hr	5 Hr	10 Hr	20 Hr
1.80V	13.03	9.37	7.42	4.30	2.446	0.972	0.670	0.374	0.197
1.75V	15.36	10.15	7.76	4.47	2.520	0.991	0.680	0.380	0.200
1.70V	16.32	10.52	8.00	4.57	2.565	1.000	0.684	0.382	0.201
1.65V	17.05	10.77	8.18	4.63	2.596	1.007	0.686	0.383	0.202
1.60V	17.61	10.99	8.35	4.68	2.622	1.013	0.688	0.383	0.202

All data shall be changed without prior notice, BB reserves the right to explain and update the information contained hereinto.