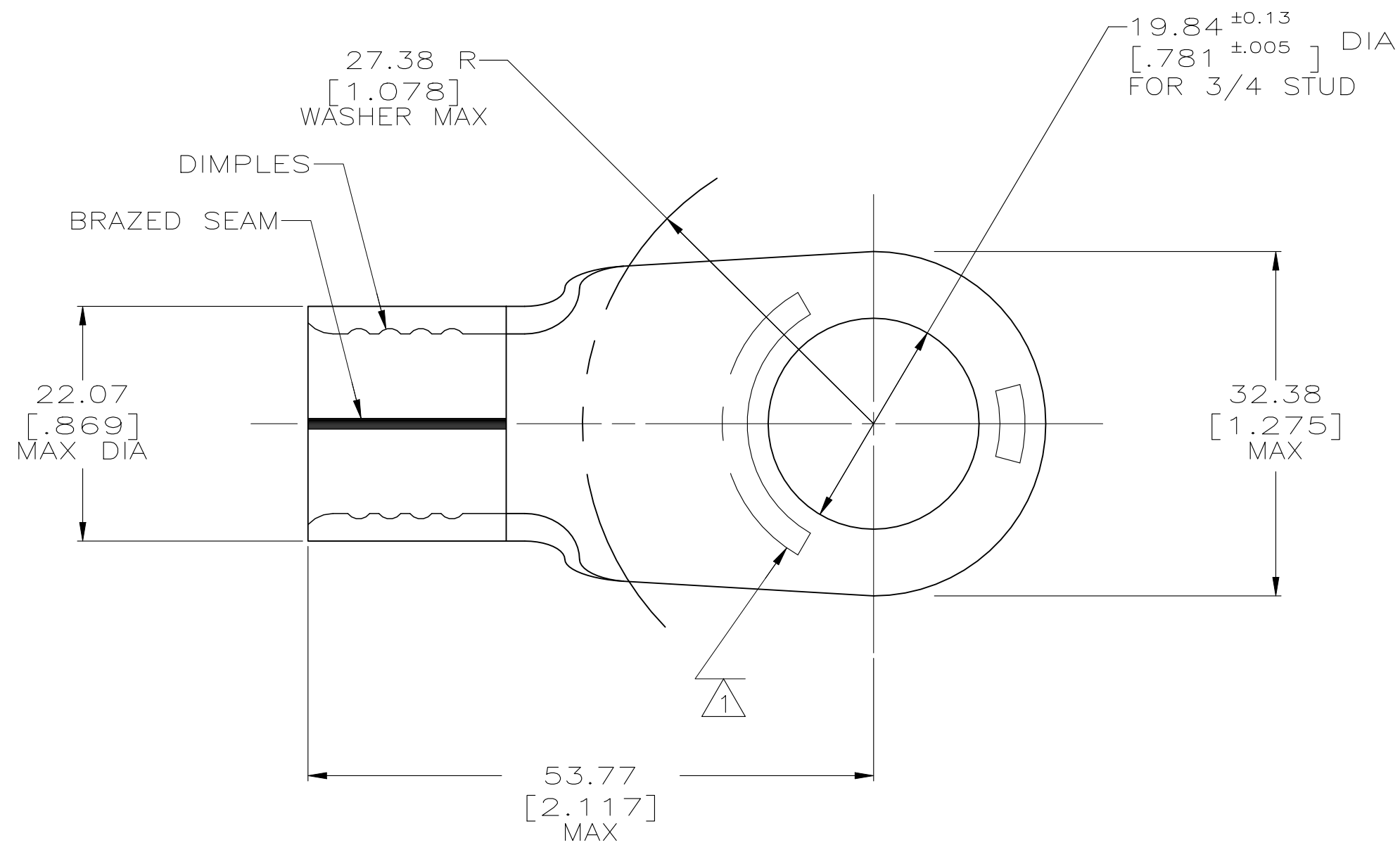


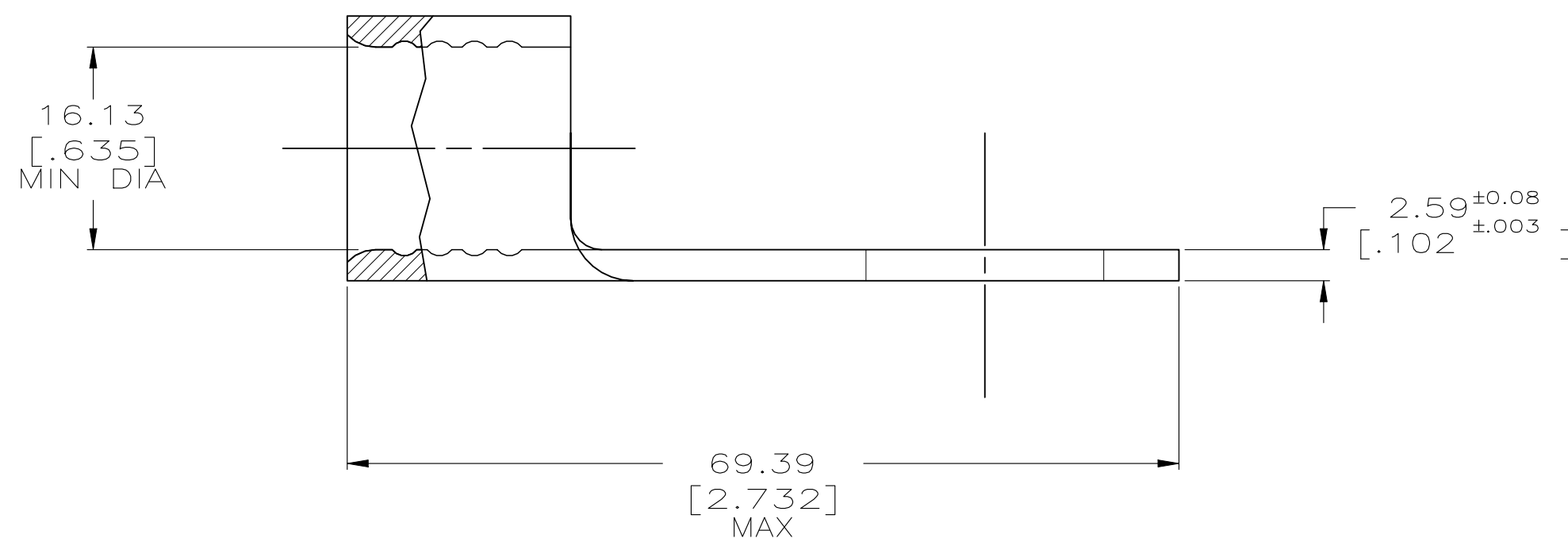
P	LTR	DESCRIPTION	DATE	DWN	APVD
D2		REV PER ECN-22-150900	27APR2022	RK	CSD



AMP WIRE RANGE	E13288 Listed
4/0 AWG SOLID OR STRANDED	4/0 AWG STRANDED

LR7189 Certified
4/0 AWG SOLID OR STRANDED

- 1 STAMP AMP 4/0W* 200 APPROX AS SHOWN
- 2 COPPER PER ASTM B-152, ANNEALED
- 3 TIN PLATE 0.00254 [.000100] MIN PER ASTM B-545
- 4 MAX RECOMMENDED OPERATING TEMP 170°C
- 5 WIRE CROSS SECTIONAL AREA RANGE:
96.3-117.0mm² [190,000-231,000] CIR MILS
STRANDED OR SOLID



322228

B

A

322228
PART NO.

THIS DRAWING IS A CONTROLLED DOCUMENT.		DWN DK_SCHRUM 10/5/93	TE Connectivity	
DIMENSIONS: MM [INCHES]		CHK AJ KAUFMAN 10/6/93		
TOLERANCES UNLESS OTHERWISE SPECIFIED:		APVD JL MECKLEY 10/6/93	NAME TERMINAL, RING TONGUE, SOLISTRAND	
0 PLC ± -	1 PLC ± -	PRODUCT SPEC	SIZE A2	CAGE CODE 00779
2 PLC ± 0.20[.008]	3 PLC ± -	APPLICATION SPEC	DRAWING NO C=322228	RESTRICTED TO
4 PLC ± -	ANGLES ± -	FINISH	SCALE 2:1	SHEET 1 of 1
MATERIAL - 2	FINISH - 3	WEIGHT -	CUSTOMER DRAWING	REV D2