

# LED EP16-7W5040eG-2

**4000K**  
CCT

Bulb Class: PAR16

## Product Description

**LED EP16-7W5040eG-2** delivers superior brightness, valuable energy savings, and long-lasting performance. This PAR16 LED bulb is ideal for ambient lighting or general-purpose applications due to its uniform \*Bright White Light (4000K) and replaces conventional 50 Watt incandescent light bulbs. Look for EP16-7W5020eG-2 for Warm White (2700K), EP16-7W5000eG-2 for Soft White (3000K), and EP16-7W5050eG-2 for Cool White (5000K).



Available only as a twin-pack.  
(EP16-7W5040eG-2 contains 2 LED Bulbs.)



**Estimated Energy Cost:** \$0.84 per year

\*Note: Design, features and specifications subject to change without notice. Some features may not be available on all models. Please visit [www.eurilighting.com](http://www.eurilighting.com) or call 1-310-787-1100 for more information.

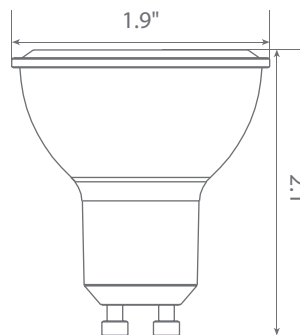
## Specifications

Input Power	Input Voltage	Lumen Output	Beam Angle	Center Beam	CCT
7 W	120V	500 lm	40°	N/A	4000 K
CRI	Luminous Efficacy	Power Factor	Input Current	Base/Cap	Lamp Lifespan
80	100 lm/W	0.7	0.07 A	GU10	25,000 Hrs.

### Product Features

-  Dimmable
-  Energy Efficient
-  Damp Rated

### Product Dimensions



### Product Photometric Data

