

292448-1 ✓ ACTIVE

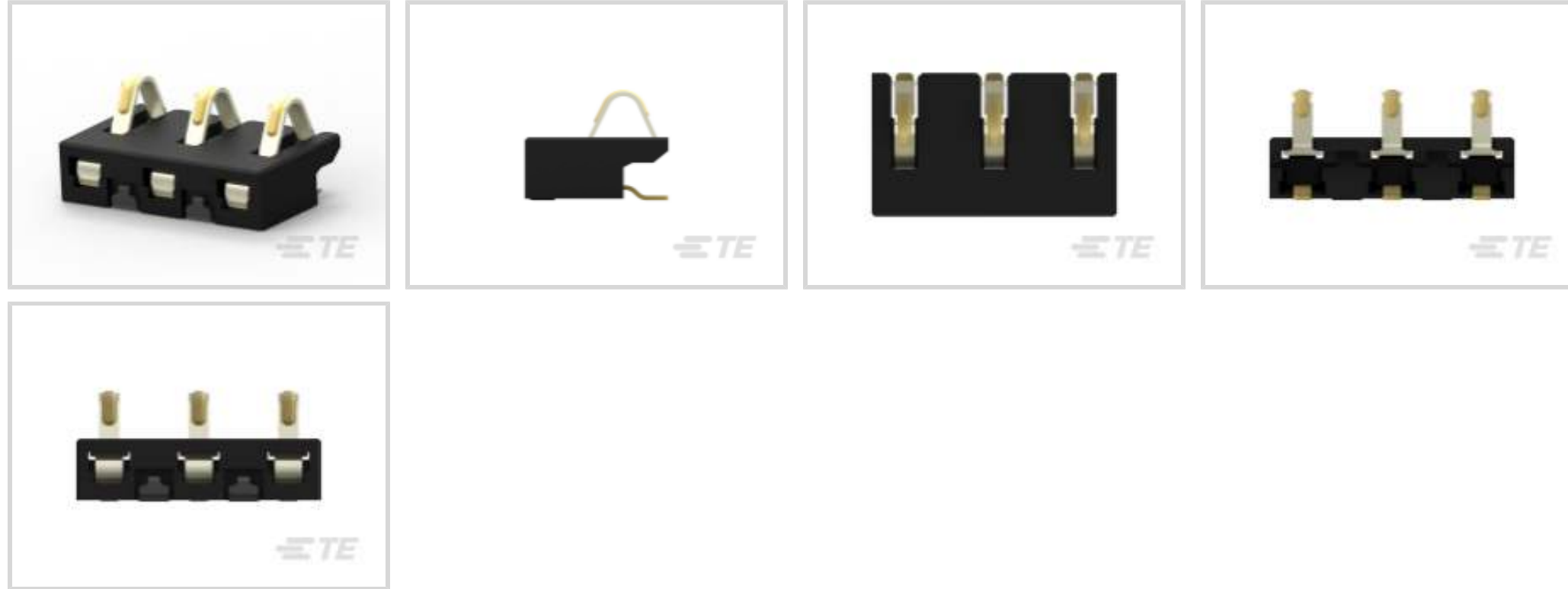


TE Internal #: 292448-1

DC Jack Connectors, Board-to-Board, 3 Position, .118 in [3 mm]
Centerline, Receptacle, Right Angle, Printed Circuit Board, Signal,
Board Mount

[View on TE.com >](#)

Connectors > PCB Connectors > Battery Connectors & Holders > DC Jack Connectors



Connector System: **Board-to-Board**

Number of Positions: **3**

Centerline (Pitch): **3 mm [.118 in]**

Connector & Housing Type: **Receptacle**

PCB Mount Retention: **Without**

Features

Product Type Features

Connector System	Board-to-Board
Connector & Housing Type	Receptacle
Connector & Contact Terminates To	Printed Circuit Board

Configuration Features

Number of Positions	3
PCB Mount Orientation	Right Angle

Body Features

Primary Product Color	Black
-----------------------	-------

Contact Features

Contact Mating Area Plating Material	Gold
Contact Underplating Material	Nickel
PCB Contact Termination Area Plating Material	Tin-Lead
Contact Current Rating (Max)	2 A

Mechanical Attachment



PCB Mount Retention	Without
Connector Mounting Type	Board Mount

Housing Features

Centerline (Pitch)	3 mm [.118 in]
--------------------	----------------

Usage Conditions

Operating Temperature Range	-40 – 85 °C [-40 – 185 °F]
-----------------------------	----------------------------

Operation/Application

Circuit Application	Signal
---------------------	--------

Product Compliance

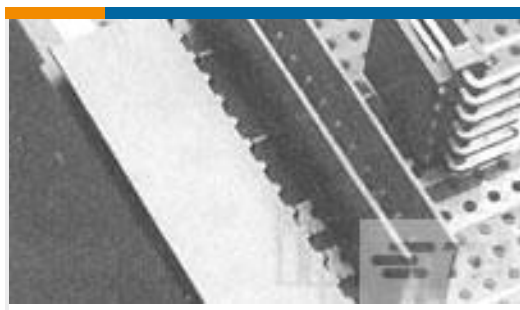
[For compliance documentation, visit the product page on TE.com>](#)

EU RoHS Directive 2011/65/EU	Compliant
EU ELV Directive 2000/53/EC	Compliant
China RoHS 2 Directive MIIT Order No 32, 2016	No Restricted Materials Above Threshold
EU REACH Regulation (EC) No. 1907/2006	Current ECHA Candidate List: JUNE 2023 (235) Candidate List Declared Against: JAN 2023 (233) Does not contain REACH SVHC
Halogen Content	Low Halogen - Br, Cl, F, I < 900 ppm per homogenous material. Also BFR/CFR/PVC Free
Solder Process Capability	Reflow solder capable to 260°C

Product Compliance Disclaimer

This information is provided based on reasonable inquiry of our suppliers and represents our current actual knowledge based on the information they provided. This information is subject to change. The part numbers that TE has identified as EU RoHS compliant have a maximum concentration of 0.1% by weight in homogenous materials for lead, hexavalent chromium, mercury, PBB, PBDE, DBP, BBP, DEHP, DIBP, and 0.01% for cadmium, or qualify for an exemption to these limits as defined in the Annexes of Directive 2011/65/EU (RoHS2). Finished electrical and electronic equipment products will be CE marked as required by Directive 2011/65/EU. Components may not be CE marked. Additionally, the part numbers that TE has identified as EU ELV compliant have a maximum concentration of 0.1% by weight in homogenous materials for lead, hexavalent chromium, and mercury, and 0.01% for cadmium, or qualify for an exemption to these limits as defined in the Annexes of Directive 2000/53/EC (ELV). Regarding the REACH Regulation, the information TE provides on SVHC in articles for this part number is based on the latest European Chemicals Agency (ECHA) 'Guidance on requirements for substances in articles' posted at this URL: <https://echa.europa.eu/guidance-documents/guidance-on-reach>

Customers Also Bought



TE Part #281695-3
HEADER HE14 STRAIGHT 3 P



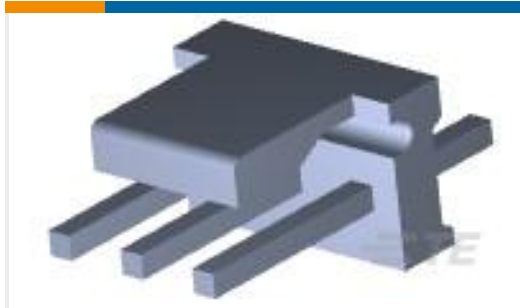
TE Part #1-1415899-0
RZ01-1C4-D012



TE Part #281698-3
HEADER HE14 RA 3 P



TE Part #5-1393238-9
RTD14005



TE Part #644752-3
03P MTA156 HDR ASSY SQ STR F/L



TE Part #1-1393219-7
PE514005



TE Part #5569381-1
STK MJ ASSY,8POS,2X1,SHLD,CAT5



TE Part #1-1705950-2
Modular Jack SE, 6/4, Gold flash



TE Part #3-1462039-1
IM26GR=IM RELAY 50mW 12V



TE Part #1551629-3
MICRO USB, TYPE A/B,
SPASHPROOF LOW MOQ

Documents

Product Drawings

3.0mm PITCH 3P SMT ASSEMBLY BATTERY CONN

English

CAD Files

3D PDF

English

Customer View Model

[ENG_CVM_292448-1_A1.3d_igs.zip](#)

English

Customer View Model

[ENG_CVM_292448-1_A1.3d_stp.zip](#)

English

Customer View Model

[ENG_CVM_292448-1_A1.2d_dxf.zip](#)

English

By downloading the CAD file I accept and agree to the [Terms and Conditions](#) of use.

Datasheets & Catalog Pages



Products for Mobile Equipment

English

Product Specifications

Product Specification

English