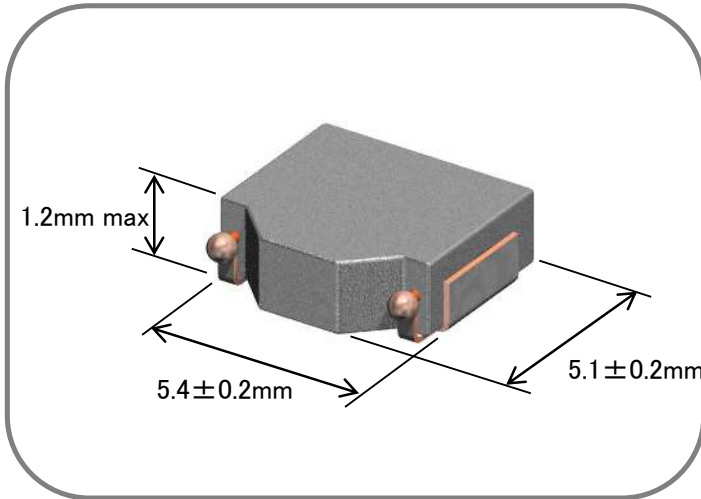


Component Image & Dimension



Features

- a) Small Footprint and Low Profile Design :
Footprint : 5.4 x 5.1 mm Typ.
Height : 1.2mm Max.
- b) High Power Handling Capability :
Small Copper Loss
Using Large Saturation Induction of Fe- based metals
- c) Wide Range Operating Temperature due to High Curie Temperature
- d) Automatic Mounting in Tape&Reel Package.

Applications

Note Book & Mobile Computer, VRM, Cellular Phone, HDD etc.

Electrical Specification

| TDK Identification | Inductance | | Test Freq. (kHz) | DC Resistance | | Rated DC Current | | |
|--------------------|------------|----------|------------------|---------------|--------------|------------------|----------------|----------------|
| | at 0A (uH) | Tol. (%) | | Spec. (m-Ohm) | Typ. (m-Ohm) | Idc 1 (A) max. | Idc 1 (A) typ. | Idc 2 (A) typ. |
| SPM5012T- 1R0M-CA | 1.0 | +/-20% | 100 | 44.0 max | 40.0 | 6.3 | 7.9 | 4.1 |
| SPM5012T- 2R2M-CA | 2.2 | +/-20% | 100 | 78.8 max | 71.6 | 4.9 | 6.1 | 2.7 |

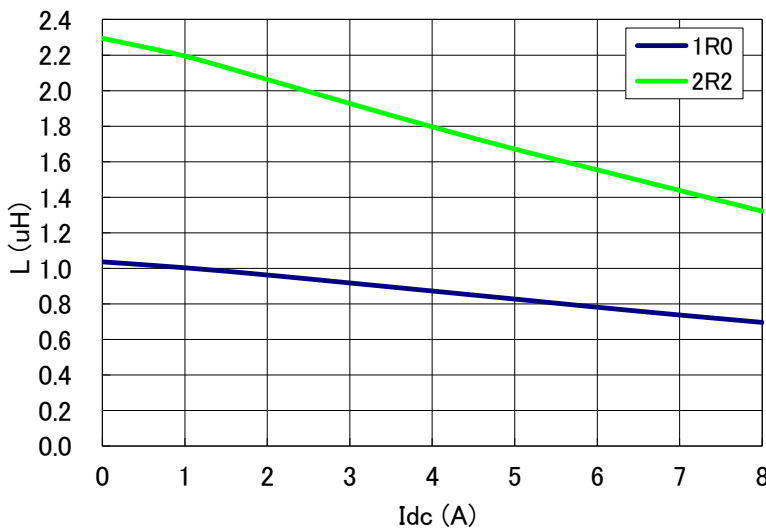
Note. Idc 1 : Based on the inductance change. (-30% Reduction from Nominal L Value)

Idc 2 : Based on the self temperature rise. (+40 deg typ.)

Operating Temperature Range: -40 °C ~ +125 °C (including self temperature rise)

Caution: Please contact our sales person when you consider organic solvent or aqueous cleaning.

Inductance vs. DC Superposition



Recommended pad layout

