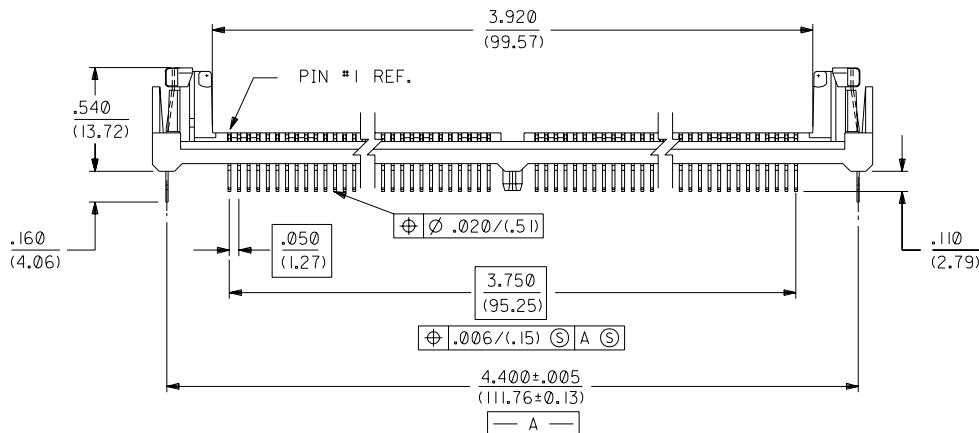
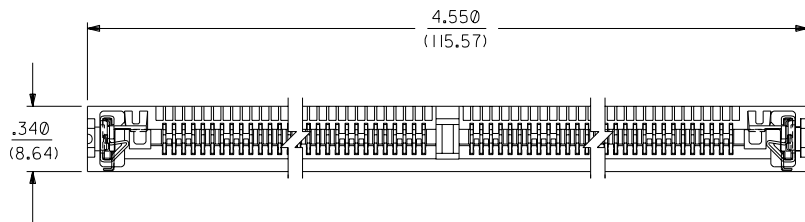


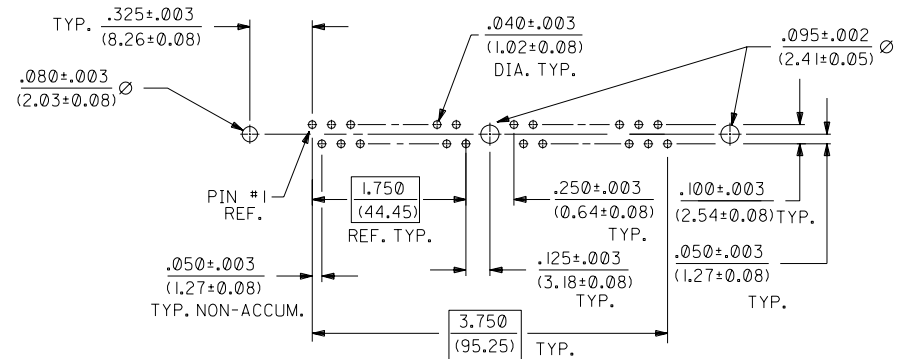
"SIMM" P.C. BOARD LAYOUT



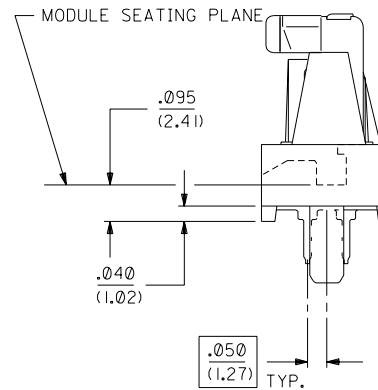
\*THE PRIMARY SHIPPING CARTON WILL BE LABELED "COMPLIANT TO RoHS DIRECTIVE 2002/95/EC AND ELV ANNEX II OF DIRECTIVE 2000/53/EC" CARTONS WITHOUT THIS LABEL MAY CONTAIN PRODUCT WITH LEAD.

- NOTES: 1. CARD SLOT ACCEPTS .050 +.004/-.003 P.C. BOARDS (MEASURED OVER P.C. PADS).  
 2. PRODUCT SPEC PS-78954 APPLIES  
 3. CENTER PEG IS AN INTERFERENCE FIT TO PCB UNLESS NOTED ON THE DWG. (APPLICABLE ONLY IF PART HAS A CENTER PEG FEATURE)

MATERIALS:  
 HOUSING- LCP, GLASS FILLED, 94V-0, COLOR: BLACK  
 TERMINAL- PHOSPHOR BRONZE  
 PLATING- POST PLATED 200  $\mu\text{in}$  (5.08  $\mu\text{m}$ ) MINIMUM TIN IN CONTACT AREA AND 150  $\mu\text{in}$  (3.81  $\mu\text{m}$ ) MINIMUM TIN IN TAIL AREA OVER 50  $\mu\text{in}$  (1.27  $\mu\text{m}$ ) MINIMUM NICKEL OVERALL  
 \* REFERENCE NOTE IN LOWER LEFT CORNER OF DRAWING.  
 METAL LATCH- STAINLESS STEEL



RECOMMENDED SOCKET P.C. BOARD HOLE PATTERN



END VIEW  
SCALE 4:1

G	LEAD FREE UCP2004-1582 WHITE 04/02/24
F	REVISED PER ECR U51309 GMY 8-18-95
E	CHG. TAIL LENGTH PER ECR U6-0102 DRS 07/28/95
D	CHG. TAIL LENGTH PER ECR U5-1246 DRS 06/13/95
C	REDRAWN PER ECR U20649 AMD 6-10-92
B	REVISED/UPDATED PER ECR U0-0647 SEC 9-21-90
A	ADDED EDP PER ECR 30152 KER 7-23-90
I	X-RELEASE PER ECR 30151 KER 7-13-90

DIMENSIONS SHOWN (METRIC) INCH UNLESS OTHERWISE SPECIFIED TOLERANCES: ANGULAR ± 1/2°		▽ = 0 = 0 REVISIONS																					
TITLE SALES ASSEMBLY 72 CIRCUIT, METAL LATCH VERTICAL SIMM SOCKET		MFG, SH, REV, LTR, REVISIONS																					
<table border="1"> <tr> <th>PLACES</th> <th>INCH</th> <th>METRIC</th> </tr> <tr> <td>3 PLACE</td> <td>± .010</td> <td>---</td> </tr> <tr> <td>2 PLACE</td> <td>± .014</td> <td>± 0.25</td> </tr> <tr> <td>1 PLACE</td> <td>---</td> <td>± 0.35</td> </tr> </table>		PLACES	INCH	METRIC	3 PLACE	± .010	---	2 PLACE	± .014	± 0.25	1 PLACE	---	± 0.35	<table border="1"> <tr> <td>MOLEX</td> <td>U.S.A.</td> <td>SHEET NO.</td> <td>DATE</td> </tr> <tr> <td>LITSE, ILL.</td> <td>60532</td> <td>1 OF 1</td> <td>07/13/90</td> </tr> </table>		MOLEX	U.S.A.	SHEET NO.	DATE	LITSE, ILL.	60532	1 OF 1	07/13/90
PLACES	INCH	METRIC																					
3 PLACE	± .010	---																					
2 PLACE	± .014	± 0.25																					
1 PLACE	---	± 0.35																					
MOLEX	U.S.A.	SHEET NO.	DATE																				
LITSE, ILL.	60532	1 OF 1	07/13/90																				
DRAFT WHERE APPLICABLE MUST REMAIN WITHIN DIMENSIONS		PART NO. 15-82-0775 DRWG. NO. SDA-78962-7231																					
DRWG. BY: KER		FILE NAME: S70562K39																					
APPR. BY:		THIS DRAWING CONTAINS INFORMATION THAT IS PROPRIETARY TO MOLEX INC. AND SHOULD NOT BE USED WITHOUT WRITTEN PERMISSION																					
SCALE: 2:1		DIV. SIZE: DA 1 C																					