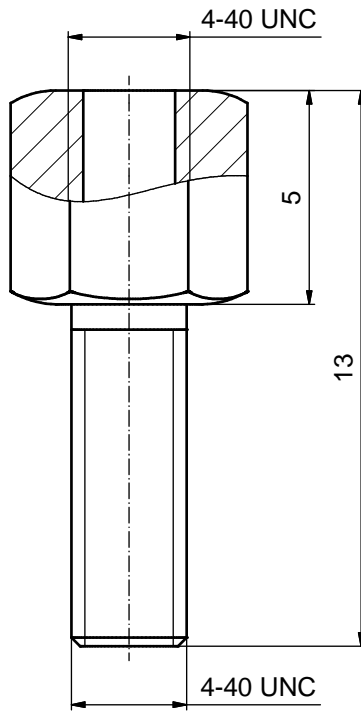
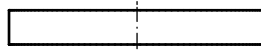


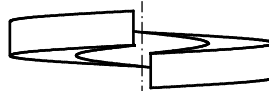
SCREW
4-40 UNC / 4-40 UNC x 13



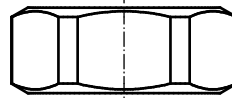
WASHER
ø6 / ø3 x 0.8



SPRING RING
DIN127 A3

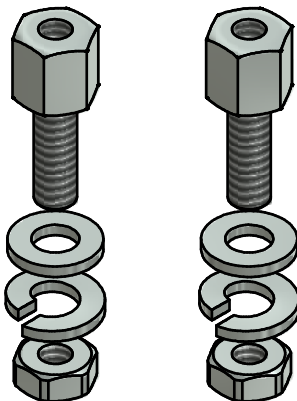


NUT 4-40 UNC
SW 4,8 x 2

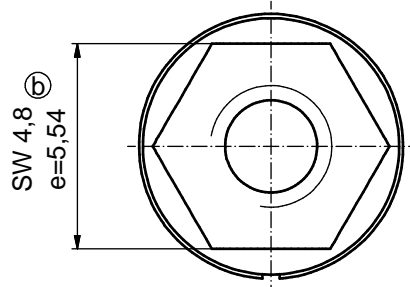


A SET CONSISTS OF:

- 2 SCREWS
- 2 WASHERS
- 2 SPRING RINGS
- 2 NUTS



Directive 2002/95/EC RoHS compliant



ⓑ

NOTES:

1. SCREW: STEEL; NICKEL PLATED
2. WASHER: STEEL; NICKEL PLATED
3. SPRING RING: STEEL; NICKEL PLATED
4. NUT: STEEL; NICKEL PLATED

THIS DRAWING MAY NOT BE COPIED OR REPRODUCED IN ANY WAY, AND MAY NOT BE PASSED ON TO A THIRD PARTY WITHOUT WRITTEN PERMISSION. OWNERSHIP AND COPYRIGHT OF CONEC GmbH DO NOT ALTER CAD DRAWING BY HAND	finish:		tolerance		 dim. in mm	scale: 8:1	
	SEE NOTES					material: SEE NOTES	
			date	name	title: SCREW LOCKING Type 1 / 4-40 UNC / 13mm		
			drawn 22.03.01	Parei			
			appd. 22.03.01	E.Mickenbecker			
		norm		dwg no:		DIN-A3	
2 x b	Ä4522	31.10.12	Lehm.	16K1A166A		sh: 1	
rev.	description	date	name	part no: 160X10359X			

