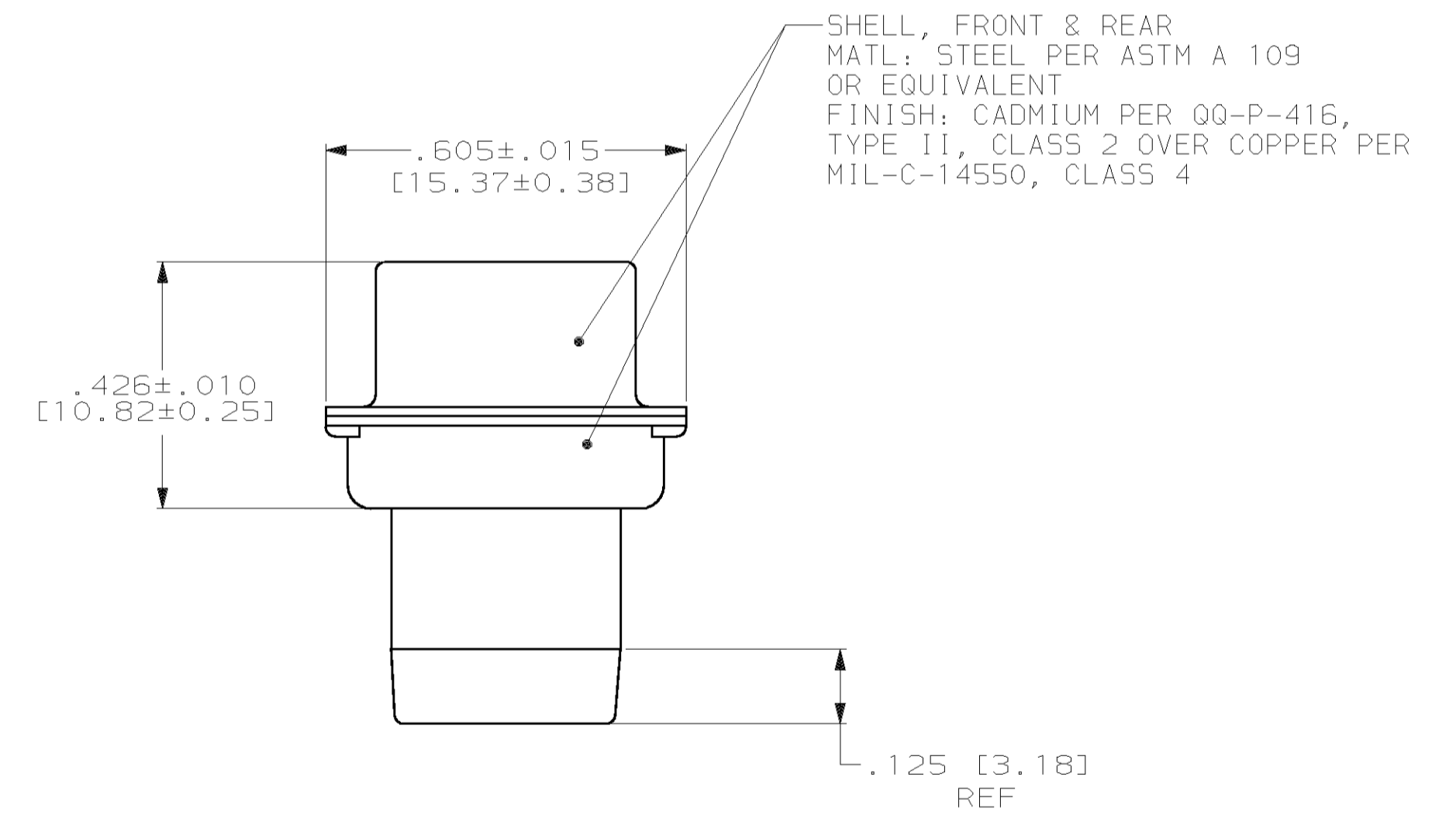
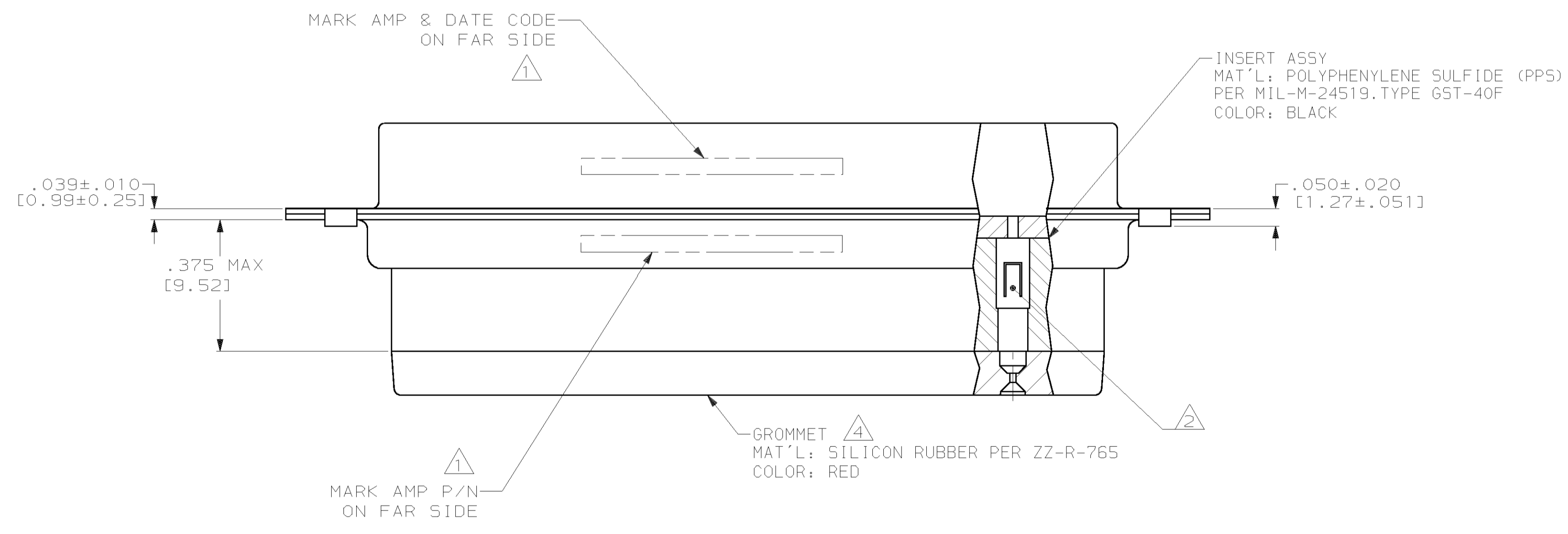
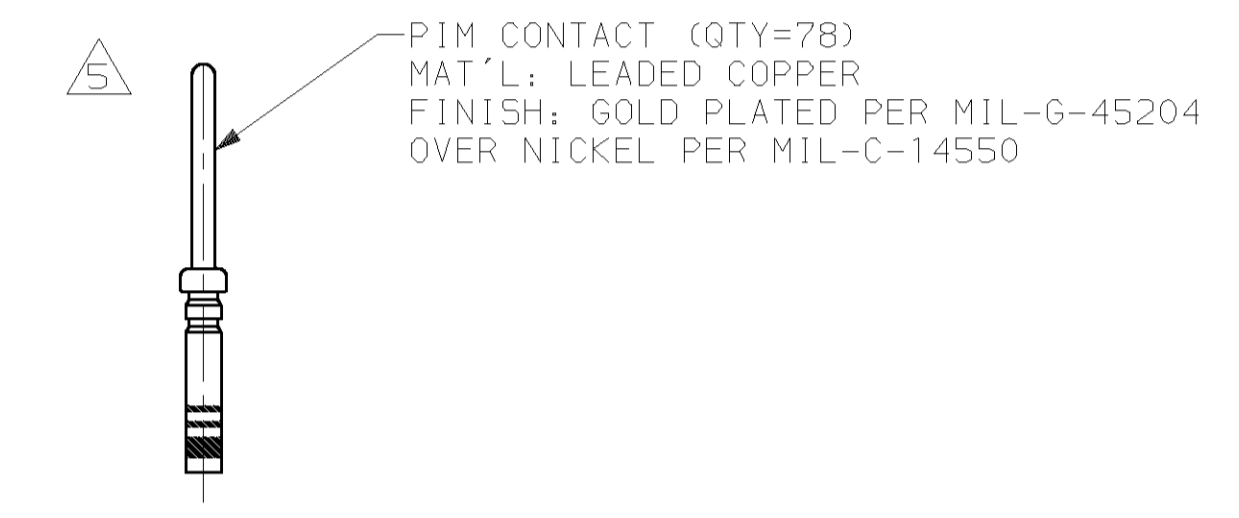
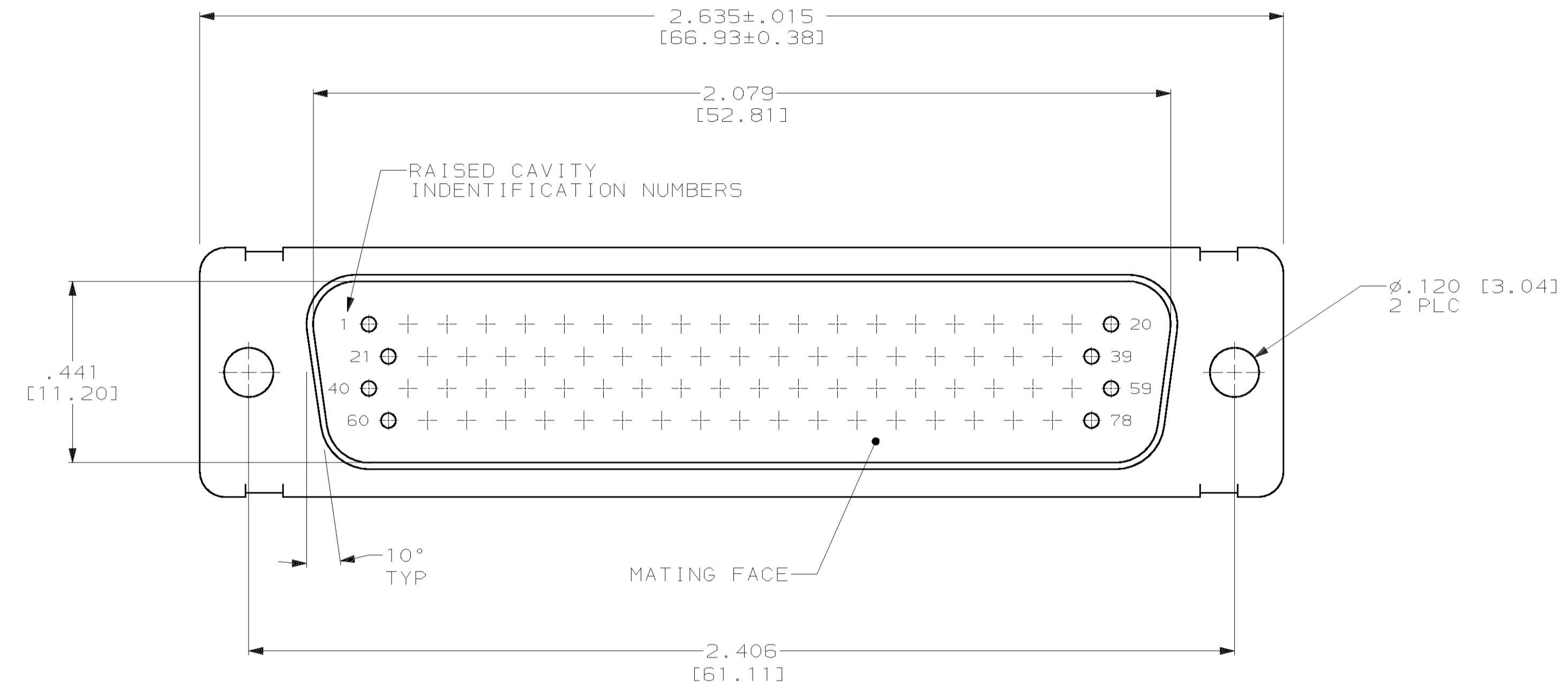


LOC		DIST		REVISIONS			
DF	DO	REV	LYR	DESCRIPTION	DATE	OWN	APVD
		C		REV PER 0630-0284-00	11-00	CT	RG

- 1. MARKED WITH .047 [1.19] HIGH CHARACTERS. FAR SIDE REFERS TO WIDE SIDE OF KEYSTONE, NEAR SIDE REFERS TO NARROW SIDE OF KEYSTONE.
- 2. STAINLESS STEEL RETENTION CLIPS ARE INCLUDED IN INSERTS.
- 3. THIS PLUG WILL MATE WITH ANY RECEPTACLE CONNECTOR WITH THE SAME INSERT ARRANGEMENT.
- 4. MAXIMUM WIRE INSULATION USED WITH THIS CONNECTOR IS .054 [1.37] DIAMETER WITH GROMMET
- 5. CONTACTS ARE PACKAGED SEPARATELY AND SHIPPED WITH CONNECTOR.



1218534-1
PART NO.

THIS DRAWING IS A CONTROLLED DOCUMENT.		DWN: C.C. THOMAS 9/23/99	AMP Incorporated Harrisburg, PA 17105-3608
DIMENSIONS: INCHES (mm)		CHK: CHAD BAKER 10-5-99	
TOLERANCES UNLESS OTHERWISE SPECIFIED:		APP'D: CHAD BAKER 10-5-99	NAME: PLUG ASSY, SIZE 5, 78 POSN., SERIES 90, AMPLIMITE
0 PLC ±.005		PRODUCT SPEC: -	
1 PLC ±.005		APPLICATION SPEC: -	SIZE: A1 CAGE CODE: 00779 DRAWING NO: 1218534
2 PLC ±.005		RESTRICTED TO: -	
3 PLC ±.005 [0.131]		WEIGHT: -	CUSTOMER DRAWING SCALE: 4:1 SHEET 1 OF 1 REV C
4 PLC ±.005		MATERIAL: SEE CALLOUTS	
5 PLC ±.005		FINISH: SEE CALLOUTS	