



MADE IN THE USA

Product Description:

- CPR Mask Dispenser
- Holds one disposable CPR mask clam
- Keyholes for wall mounting
- Made of Clear PETG Plastic

Primary Area for Product Usage:

- Any location where quick access to a CPR mask is needed, such as patient rooms

Dispenses:

- One standard CPR mask clam
- Clams or packs no larger than 5.00"W x 6.00"H x 2.30"D (12.7 cm x 15.2 cm x 5.8 cm)
- Clams or packs no smaller than 3.75"W x 3.00"H x 1.50"D (9.5 cm x 1.6 cm x 3.8 cm)

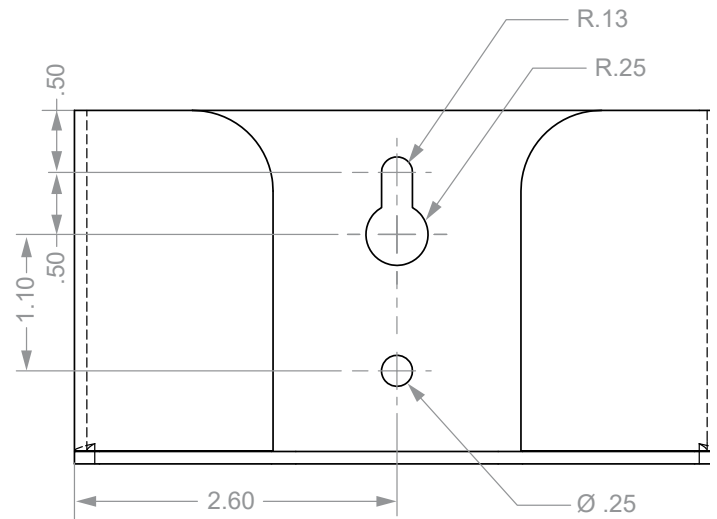
Package Specifications:

- Package Quantity: 12 per case
- 12"W x 10"H x 9"D (30.5 cm x 25.4 cm x 22.9 cm)
- 5.0 lbs (2.3 kg) - approximated

Product Specifications (overall external dimensions):

- 5.20"W x 2.85"H x 2.50"D (13.2 cm x 7.2 cm x 6.4 cm)
- 0.2 lbs (0.1 kg) - approximated

Mounting Specifications:



Companion Products (each sold separately):

- GL300-0212: Glove Box Dispenser - Triple with Dividers (shown below)

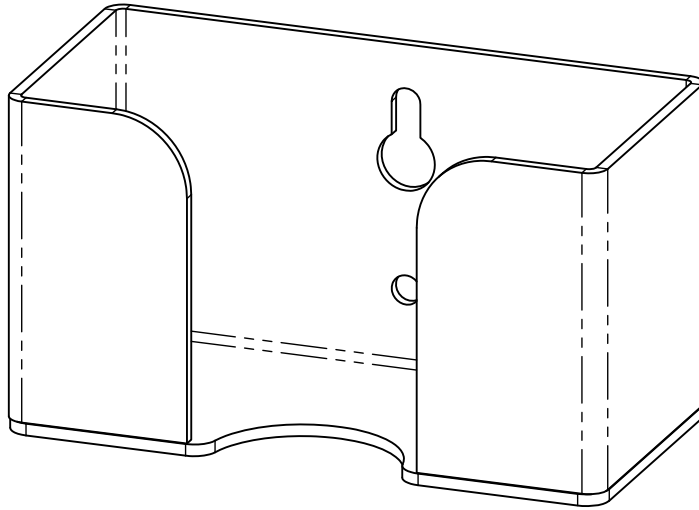




Installation

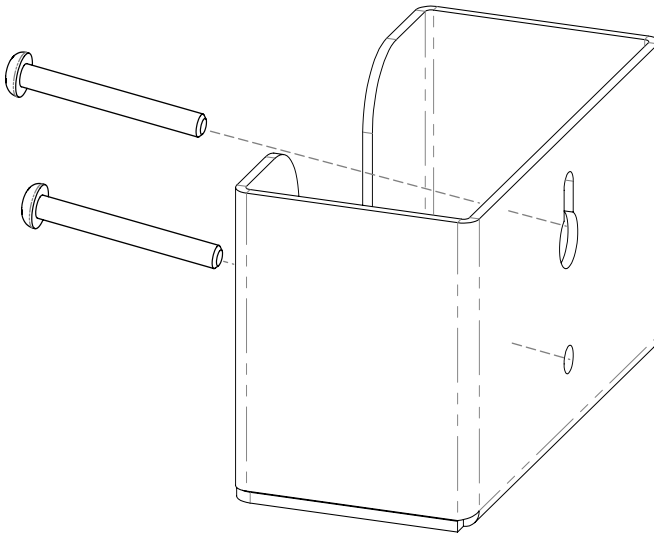
Always mount dispensers securely *prior* to loading with product.

- Clear design enables unobstructed view of package information.
- Compact design accommodates a wide variety of clams while allowing quick, easy access.



1

- Mount securely to a wall with screws approved and supplied by building maintenance.



2

Parts included:

- Dispenser

Tools Required:

- No tools required to assemble dispenser

Care and Construction

PETG Plastic

Material Characteristics

Designed for Long-Term Heavy-Duty Applications

Copolyester resin is designed for heavy-duty applications, and is used by BOWMAN® Dispensers. We never use acrylic in our products.

Copolyester (PETG) is typically 15-20 times tougher than general purpose acrylic. PETG is made to withstand handling and reduce losses due to breakage.

PETG resists a variety of chemicals and commonly used cleaning agents. It is tough and durable (not brittle), providing years of trouble-free functionality and long life.

Clear optical characteristics mean the viewer can see the content, read text, and see true colors through the material. It complies with FDA regulations for food contact.

Care and Cleaning

Most cleaning chemicals do not weaken the surface or cause damage to the material. Suggested cleaning method is to use a soft cloth, warm water, and mild soap.