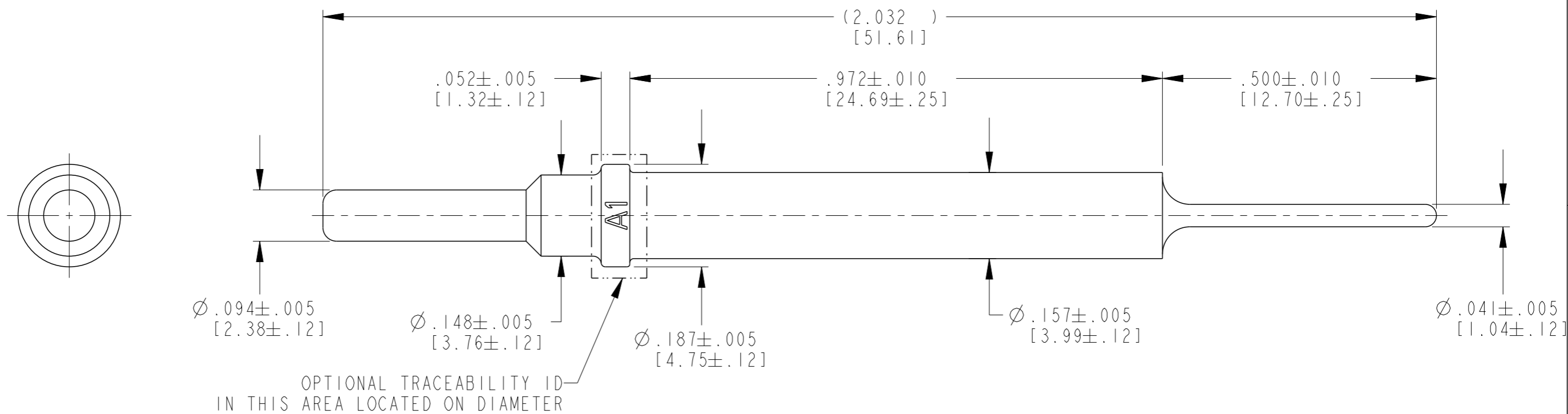


REVISIONS

P	LTR	DESCRIPTION	DATE	DWN	APVD
	NC	NEW RELEASE PER E.O. P19398	17NOV2006	JA	RR
	A	REVISED PER PCN-20-014698	11NOV2020	CL	IG



TE INTERNAL PN	DEUTSCH PN	PLATING
0460-244-1231	0460-244-1231	GOLD
0460-244-1290	0460-244-12309	TIN

THIS DRAWING IS A CONTROLLED DOCUMENT.

DWN J. APOSTOL 25OUCT2006  
 CHK B. BYFORD 2NOV2006  
 APVD R. REED 17NOV2006

**STE** TE Connectivity

NAME CONTACT PIN SIZE 12 EXTENSION

PRODUCT SPEC -  
 APPLICATION SPEC 1

SIZE A3 CAGE CODE 4AFU8 DRAWING NO. 0460-245-12XX RESTRICTED TO -

MATERIAL COPPER ALLOY FINISH SEE TABLE WEIGHT 3.6g

CUSTOMER DRAWING SCALE 5:1 SHEET 1 OF 1 REV A

1. FOR CONTACT APPLICATION, SEE INSTRUCTION SHEET 408-151078.

NOTES: