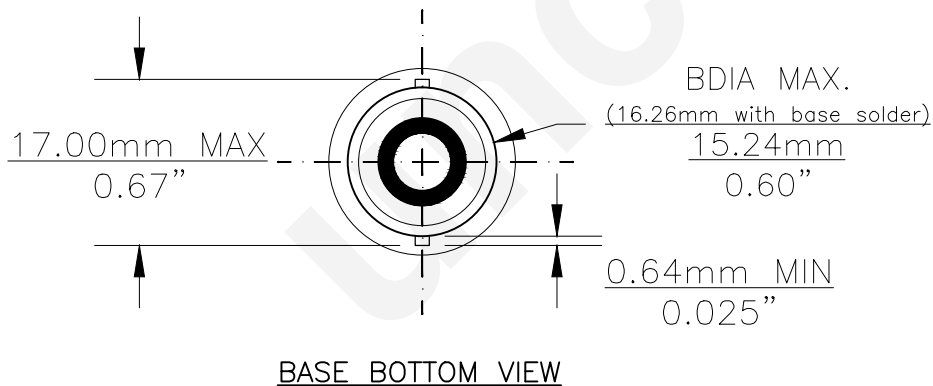
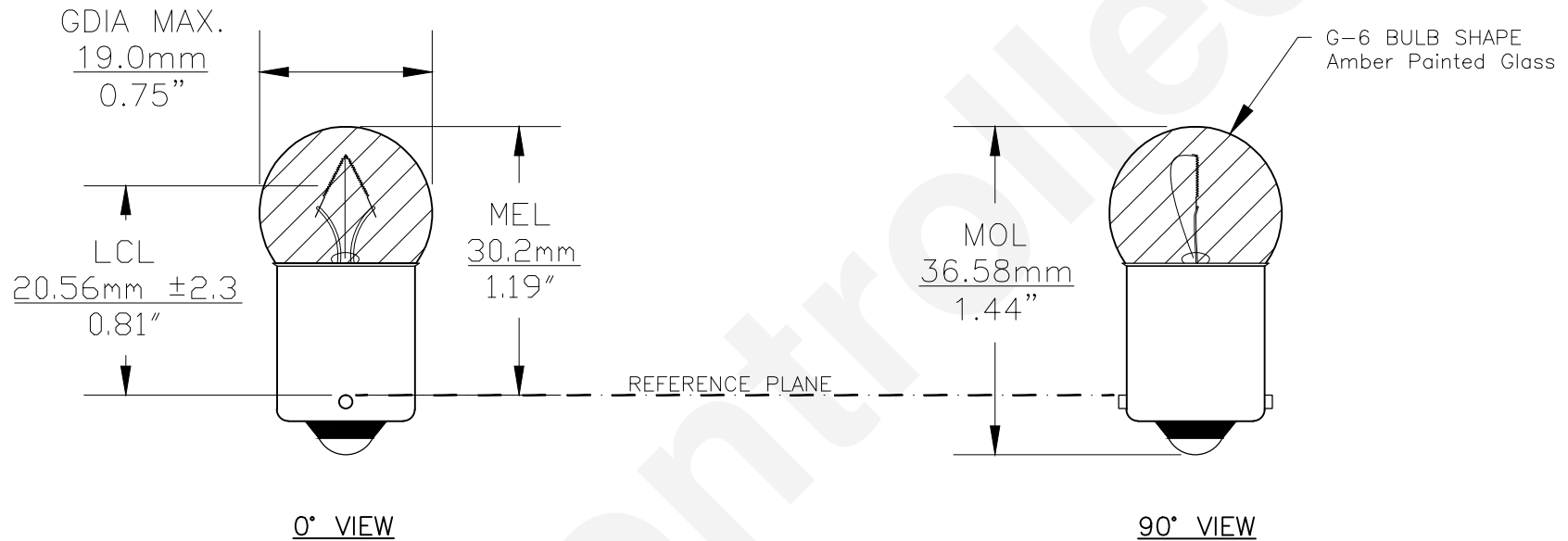




PART NO.	BASE TYPE	DESIGN VOLTS	DESIGN AMPS	MSCD	FILAMENT TYPE	AVERAGE LIFE HOURS	REVISIONS			
							REV #	DESCRIPTION	DATE	APPROVED
97A	S.C. BAYONET (BA15s)	13.5V	0.69 ±8%	0.32 ±15%	C-2V	5000	1	ISSUED	05/29/2014	R.M.



Note: Made according to SAE specifications

UNLESS OTHERWISE SPECIFIED: DIMENSIONS ARE IN INCHES TOLERANCES		CEC INDUSTRIES LTD			
DECIMALS	ANGULAR	599 BOND STREET		LINCOLNSHIRE, IL 60069	
.XX ± .05	± 0.5°	TITLE LIGHT BULB NO. 97A			
.XXX ± .010		DRAWN ROSE MEDINA DATE 05/29/2014			
FRACTIONAL	±1/64	CHECKED	SIZE A	FSCM NO. 97A	DWG NO. 97A
		DESIGN	SCALE	PLOT SCALE	SHEET 1 OF 1
		MATERIAL	FILE 97A.pdf	DRAWING NOT TO SCALE	