

# XUK2LAKSMM12T

Photoelectric sensors XU, photo electric laser sensor, XUK, thru beam transmitter, Sn 30 m -10...30 VDC, M12



## Main

Range of Product	Telemecanique Photoelectric sensors XU
Series name	Application assembly Application material handling
Electronic sensor type	Photo-electric sensor
Sensor name	XUK
Sensor design	Compact 50 x 50
Detection system	Thru beam
Material	Plastic
Type of output signal	Discrete
Supply circuit type	DC
Wiring Technique	4-wire
Electrical connection	1 male connector M12, 4 pins
Product Specific Application	-
Emission	Red laser thru beam class 1
[Sn] nominal sensing distance	82.02 ft (25 m) thru beam need receiver XUK2LAPSMM12R

## Complementary

Enclosure Material	ABS/PC
Lens material	PMMA
Maximum sensing distance	98.43 ft (30 m) thru beam
Add on output	Without
Add on input	Test
Status LED	1 LED green)supply
[Us] rated supply voltage	12...24 V DC reverse polarity protection
Supply voltage limits	10...30 V DC
Maximum voltage drop	<2.4 V closed state)
Current consumption	<= 30 mA no-load
Depth	1.97 in (50 mm)
Height	1.97 in (50 mm)
Width	0.91 in (23 mm)
Net Weight	0.08 lb(US) (0.035 kg)

## Environment

Product Certifications	Ecolab CE cULus
Ambient air temperature for operation	-4...140 °F (-20...60 °C) -4...122 °F (-20...50 °C), UL
Ambient Air Temperature for Storage	-4...176 °F (-20...80 °C)
Vibration resistance	7 gn +/- 1.5 mm 10...55 Hz) IEC 60068-2-6
Shock resistance	30 gn 11 ms) IEC 60947-5-2
IP degree of protection	IP67 IEC 60529 IP69K DIN 40050

## Ordering and shipping details

Category	22481 - SENSORS, PHOTOELECTRIC
Discount Schedule	DS2
GTIN	03389119077545
Nbr. of units in pkg.	1
Package weight(Lbs)	1 lb(US) (0.45 kg)
Returnability	No
Country of origin	DE

## Packing Units

Unit Type of Package 1	PCE
Package 1 Height	1.18 in (3 cm)
Package 1 width	2.36 in (6 cm)
Package 1 Length	3.54 in (9 cm)
Unit Type of Package 2	S01
Number of Units in Package 2	28
Package 2 Weight	3.52 lb(US) (1.597 kg)
Package 2 Height	5.91 in (15 cm)
Package 2 width	5.91 in (15 cm)
Package 2 Length	15.75 in (40 cm)

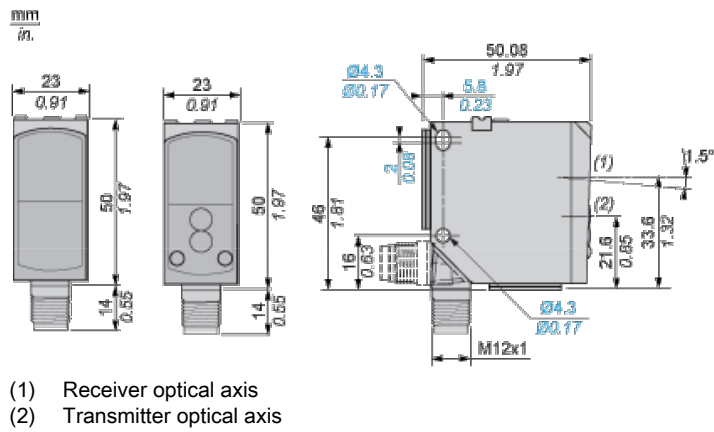
## Offer Sustainability

California proposition 65	WARNING: This product can expose you to chemicals including: Diisononyl phthalate (DINP), which is known to the State of California to cause cancer, and Di-isodecyl phthalate (DIDP), which is known to the State of California to cause birth defects or other reproductive harm. For more information go to <a href="http://www.P65Warnings.ca.gov">www.P65Warnings.ca.gov</a>
REACH Regulation	<a href="#">REACH Declaration</a>
EU RoHS Directive	Pro-active compliance (Product out of EU RoHS legal scope) <a href="#">EU RoHS Declaration</a>
Mercury free	Yes
RoHS exemption information	<a href="#">Yes</a>

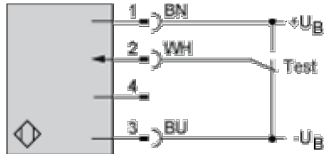
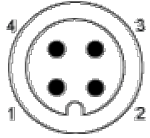
## Contractual warranty

Warranty	18 months
----------	-----------

Dimensions



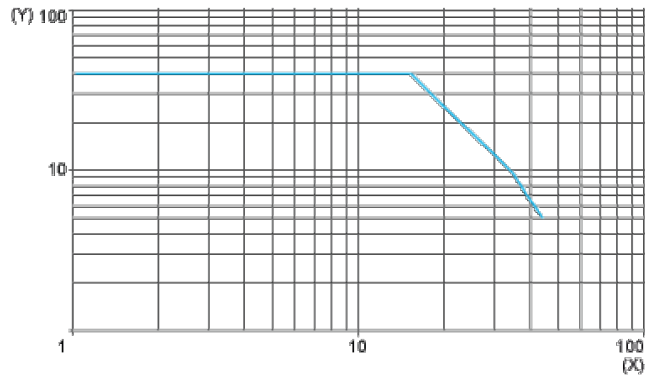
## Wiring Schemes Using M12 Connector



- 1 : (+)
- 2 : Test input (1)
- 3 : (-)
- 4 : Pin not connected
- BN : Brown
- WH : White
- BU : Blue
- +UB : External teach
- UB : Pushbutton locking
- (1) Test input: +UB = test function (transmitter disconnected). -UB or not connected = normal operation

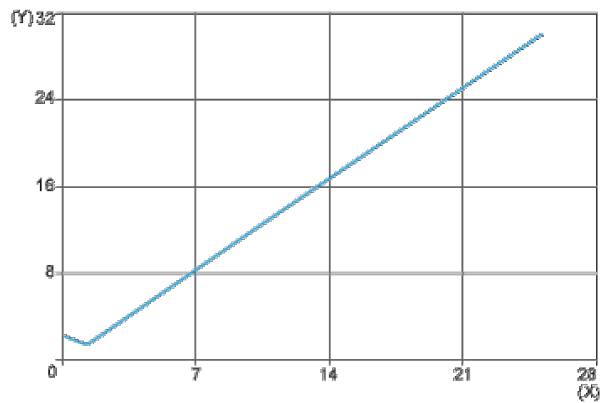
Curves

Excess Gain Curve



(X) Distance (m)  
(Y) Gain

Size of Luminous Point



(X) Distance (m)  
(Y) Size (mm)