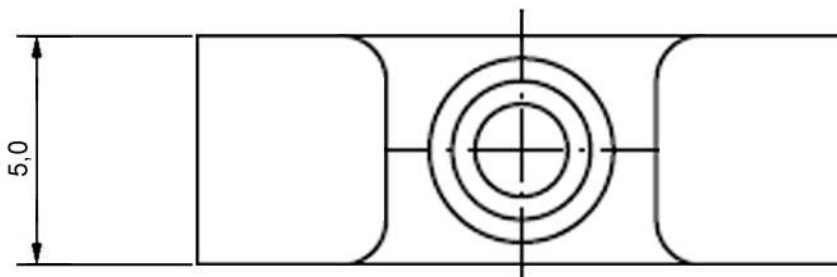
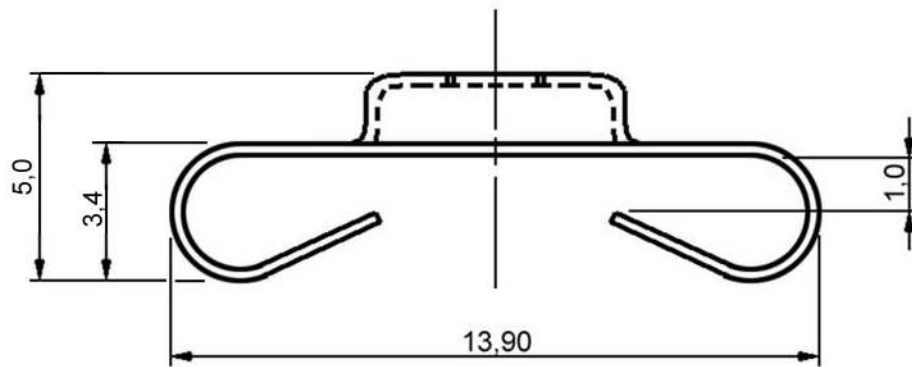
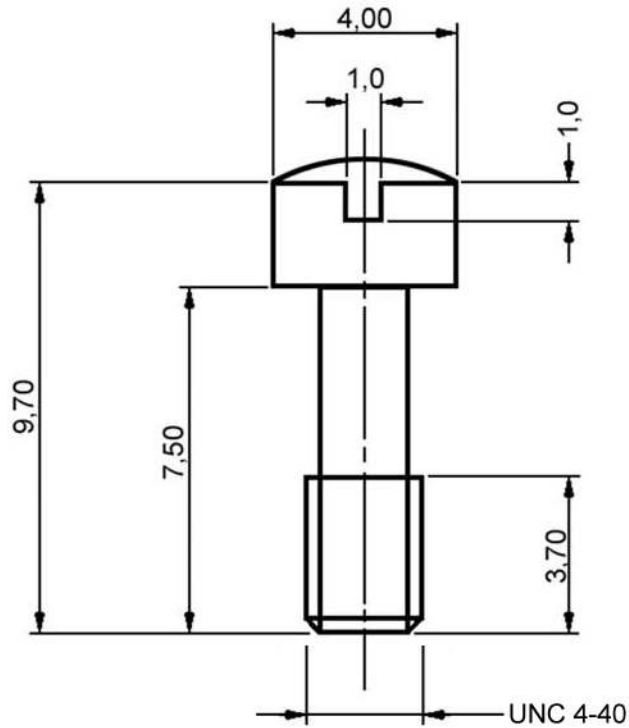

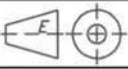


No.	Changes and/or Note No.	Date	Intr.	No.	Changes and/or Note No.	Date	Intr.



RoHS Compliant

DATE 2006-03-21	DRAWN MRR	SCALE	MATERIAL TYPE
	APPROVED		REPLACES
	MH-MSL Male Screw Lock		
			DRAWING No MH-MSL 159