

336075-3 ✓ ACTIVE

FASTON | FASTON 250

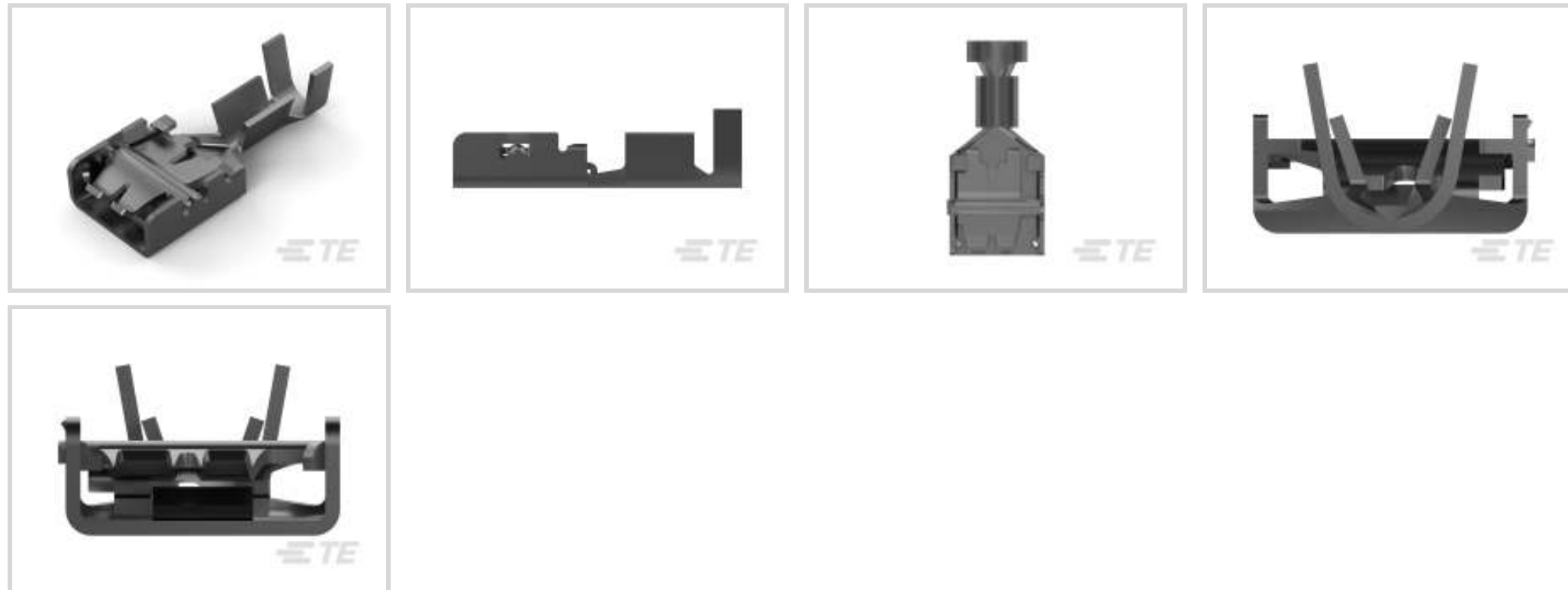
TE Internal #: 336075-3

Quick Disconnects, Receptacle, 20 – 15 AWG Wire Size, .51 – 1.65 mm² Wire Size, Mating Tab Width 6.35 mm [.25 in], Straight, Brass, FASTON 250

[View on TE.com >](#)



Terminals & Splices > Quick Disconnects



Quick Disconnect Terminal Type: **Receptacle**

Wire Size: .51 – 1.65 mm²

Mating Tab Width: 6.35 mm [.25 in]

Mating Tab Thickness: .81 mm [.032 in]

Features

Product Type Features

Insertion Force	Low
-----------------	-----

Configuration Features

Connection Capacity	Single
---------------------	--------

Compatible With Wire & Cable Type	Discrete Wire
-----------------------------------	---------------

Electrical Characteristics

Voltage Rating	240 V
----------------	-------

Contact Features

Quick Disconnect Terminal Type	Receptacle
--------------------------------	------------

Mating Tab Width	6.35 mm [.25 in]
------------------	------------------

Mating Tab Thickness	.81 mm [.032 in]
----------------------	------------------

Terminal Orientation	Straight
----------------------	----------

Contact Base Material	Brass
-----------------------	-------

Terminal Plating Material	Pre-Tin
---------------------------	---------

Crimp Type	F-Crimp
------------	---------



Barrel Type	Open
-------------	------

Termination Features

Product Terminates To	Wire & Cable
-----------------------	--------------

Mechanical Attachment

Wire Insulation Support	With
-------------------------	------

Dimensions

Terminal Material Thickness	.41 mm[.016 in]
-----------------------------	-----------------

Product Length	17 mm[.669 in]
----------------	----------------

Compatible Insulation Diameter Range	2.01 – 3 mm[.079 – .118 in]
--------------------------------------	-----------------------------

Wire Size	.51 – 1.65 mm ²
-----------	----------------------------

Usage Conditions

Insulation Option	Uninsulated
-------------------	-------------

Operating Temperature Range	-40 – 110 °C[-40 – 230 °F]
-----------------------------	----------------------------

Packaging Features

Packaging Quantity	8000
--------------------	------

Packaging Method	Strip/Reel
------------------	------------

Product Compliance

[For compliance documentation, visit the product page on TE.com>](#)

EU RoHS Directive 2011/65/EU	Compliant
------------------------------	-----------

EU ELV Directive 2000/53/EC	Compliant
-----------------------------	-----------

China RoHS 2 Directive MIIT Order No 32, 2016	No Restricted Materials Above Threshold
---	---

EU REACH Regulation (EC) No. 1907/2006	Current ECHA Candidate List: JUNE 2023 (235) Candidate List Declared Against: JAN 2023 (233) Does not contain REACH SVHC
--	--

Halogen Content	Low Halogen - Br, Cl, F, I < 900 ppm per homogenous material. Also BFR/CFR/PVC Free
-----------------	---

Solder Process Capability	Not applicable for solder process capability
---------------------------	--

Product Compliance Disclaimer

This information is provided based on reasonable inquiry of our suppliers and represents our current actual knowledge based on the information they provided. This information is subject to change. The part numbers that TE has identified as EU RoHS compliant have a maximum concentration of 0.1% by weight in homogenous materials for lead, hexavalent chromium, mercury, PBB, PBDE, DBP, BBP, DEHP, DIBP, and 0.01% for cadmium, or qualify for an exemption to these

limits as defined in the Annexes of Directive 2011/65/EU (RoHS2). Finished electrical and electronic equipment products will be CE marked as required by Directive 2011/65/EU. Components may not be CE marked. Additionally, the part numbers that TE has identified as EU ELV compliant have a maximum concentration of 0.1% by weight in homogenous materials for lead, hexavalent chromium, and mercury, and 0.01% for cadmium, or qualify for an exemption to these limits as defined in the Annexes of Directive 2000/53/EC (ELV). Regarding the REACH Regulation, the information TE provides on SVHC in articles for this part number is based on the latest European Chemicals Agency (ECHA) 'Guidance on requirements for substances in articles' posted at this URL: <https://echa.europa.eu/guidance-documents/guidance-on-reach>

Compatible Parts



TE Part # 2-2150365-1
OCEAN_2.0_Applicator-E-090F130F




TE Part # 2-2150365-2
OCEAN_2.0_Applicator-E-090F130F



TE Part # 2150365-1
OCEAN_2.0_Applicator-E-090F130F



TE Part # 2150365-2
OCEAN_2.0_Applicator-E-090F130F



TE Part # 7-2150365-1
OCEAN_2.0_Applicator-E-090F130F




TE Part # 7-2150365-2
OCEAN_2.0_Applicator-E-090F130F

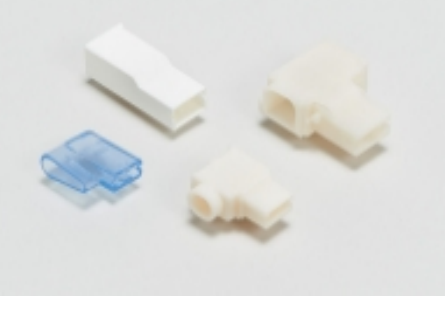


TE Part # 7-2150365-7
OCEAN_2.0_SPARE_PART_KIT-090F130F


Also in the Series | FASTON 250



Compression Connectors(4)




Crimp Terminal Housings(142)




Insertion & Extraction Tools(6)



Magnet Wire Terminals(1)



PCB Terminals(135)



Quick Disconnects(445)

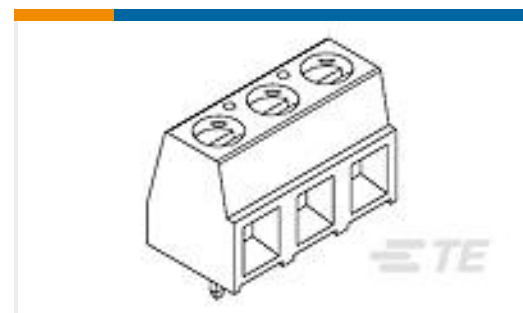


Splices(4)

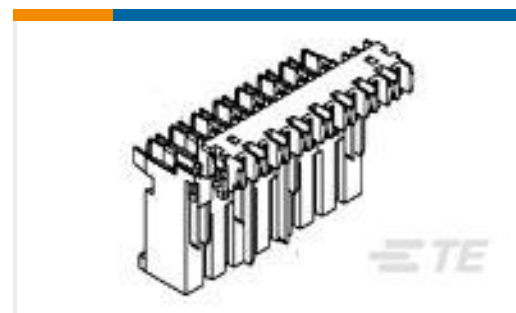
Customers Also Bought



TE Part #336076-3
250 FASTON,E-SPRING REC.,17-14
AWG,PTBR



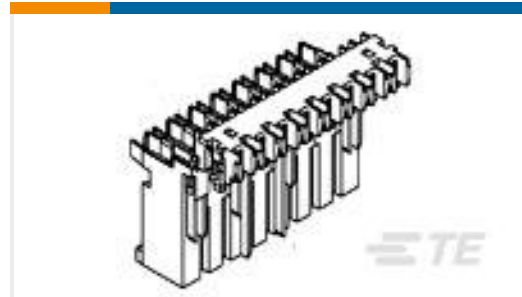
TE Part #1776119-2
2P TERMI-BLOK,PCB,HIGH TEMP



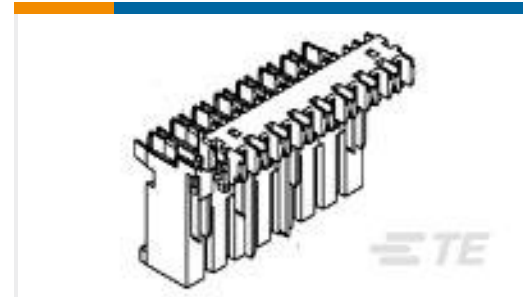
TE Part #1-282002-6
MONO-SHAPE MK I TAB CONN ASSY



TE Part #2-1644125-8
E SPRING .250 (6.3 MM) RECEPTACLE



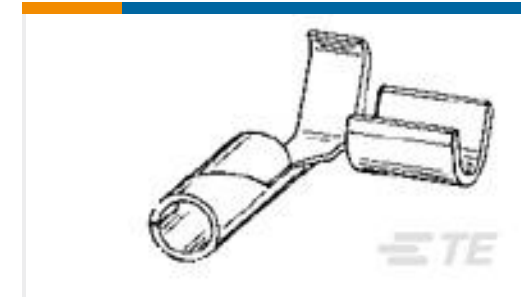
TE Part #1-282002-5
AMP MONO-SHAPE TAB CONN



TE Part #1-282003-6
AMP MONO-SHAPE TAB CONN



TE Part #1-282046-1
AMP MONO-SHAPE P.C.B. CONN 6P.
GL



TE Part #160784-3
REC. FOR 2,5 DIA PIN



TE Part #7-1534796-3
AMP DUOPLUG MK2 CONNECTOR 3P



TE Part #1333274-1
BLADE, SLUG

Documents

Product Drawings

250 FASTON, REC., 20-16 AWG, PTBR

English

CAD Files

3D PDF

3D

Customer View Model

[ENG_CVM_CVM_336075-3_L.2d_dxf.zip](#)

English

Customer View Model

[ENG_CVM_CVM_336075-3_L.3d_igs.zip](#)

English

Customer View Model

[ENG_CVM_CVM_336075-3_L.3d_stp.zip](#)

English

By downloading the CAD file I accept and agree to the [Terms and Conditions](#) of use.

Datasheets & Catalog Pages



[1654742_HOUSEHOLD_APPLIANCES_RAST5](#)

English

[E-Spring Flyer](#)

English

[Product Specifications](#)

[E-SPRING CONTACT](#)

English

[Application Specification](#)

English

[Product Environmental Compliance](#)

[MD_336075-3_062520181349_dmtec](#)

English

[MD_336075-3_062520181349_dmtec](#)

English

[Instruction Sheets](#)

[Instruction Sheet \(non U.S.\)](#)

English

[E-SPRING CONTACT SYSTEM. INSTRUCTIONS FOR MAKING CONNECTION WITH TAB](#)

English

[Agency Approvals](#)

[Agency Approval Document](#)

English