

2103172-8 ✓ ACTIVE

## High Power Connector System

TE Internal #: 2103172-8

Other Automotive Connector Accessories, Housing, Orange, -40 – 85 °C [-40 – 185 °F], High Power Connector System

[View on TE.com >](#)



Connectors > Automotive Connectors > Automotive Connector Accessories > Other Automotive Connector Accessories



Automotive Connector Accessory Type: **Housing**

Primary Product Color: **Orange**

Operating Temperature Range: **-40 – 85 °C [-40 – 185 °F]**

### Features

#### Product Type Features

Automotive Connector Accessory Type	Housing
-------------------------------------	---------

#### Body Features

Primary Product Color	Orange
-----------------------	--------

#### Usage Conditions

Operating Temperature Range	-40 – 85 °C[-40 – 185 °F]
-----------------------------	---------------------------

#### Industry Standards

Agency/Standard	USCAR
-----------------	-------

#### Packaging Features

Packaging Quantity	1
Packaging Method	Package

#### Other

Serviceable	Yes
-------------	-----

### Product Compliance

[For compliance documentation, visit the product page on TE.com>](#)

EU RoHS Directive 2011/65/EU	Compliant
EU ELV Directive 2000/53/EC	Compliant
China RoHS 2 Directive MIIT Order No 32, 2016	No Restricted Materials Above Threshold
EU REACH Regulation (EC) No. 1907/2006	Current ECHA Candidate List: JUNE 2023 (235)



Candidate List Declared Against: JUNE 2022 (224)  
Does not contain REACH SVHC

Halogen Content	Low Bromine/Chlorine - Br and Cl < 900 ppm per homogenous material. Also BFR /CFR/PVC Free
Solder Process Capability	Not applicable for solder process capability

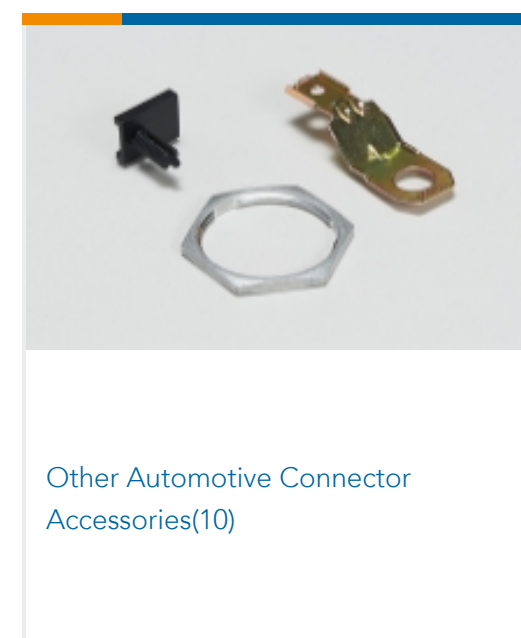
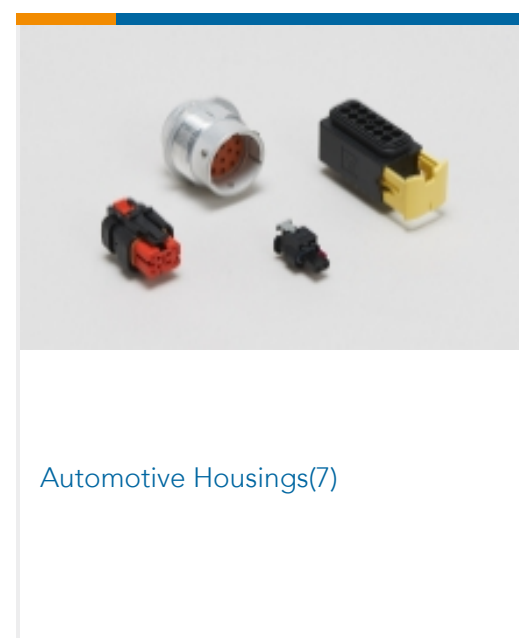
Product Compliance Disclaimer

This information is provided based on reasonable inquiry of our suppliers and represents our current actual knowledge based on the information they provided. This information is subject to change. The part numbers that TE has identified as EU RoHS compliant have a maximum concentration of 0.1% by weight in homogenous materials for lead, hexavalent chromium, mercury, PBB, PBDE, DBP, BBP, DEHP, DIBP, and 0.01% for cadmium, or qualify for an exemption to these limits as defined in the Annexes of Directive 2011/65/EU (RoHS2). Finished electrical and electronic equipment products will be CE marked as required by Directive 2011/65/EU. Components may not be CE marked. Additionally, the part numbers that TE has identified as EU ELV compliant have a maximum concentration of 0.1% by weight in homogenous materials for lead, hexavalent chromium, and mercury, and 0.01% for cadmium, or qualify for an exemption to these limits as defined in the Annexes of Directive 2000/53/EC (ELV). Regarding the REACH Regulation, the information TE provides on SVHC in articles for this part number is based on the latest European Chemicals Agency (ECHA) 'Guidance on requirements for substances in articles' posted at this URL: <https://echa.europa.eu/guidance-documents/guidance-on-reach>

### Compatible Parts



### Also in the Series | High Power Connector System



### Customers Also Bought



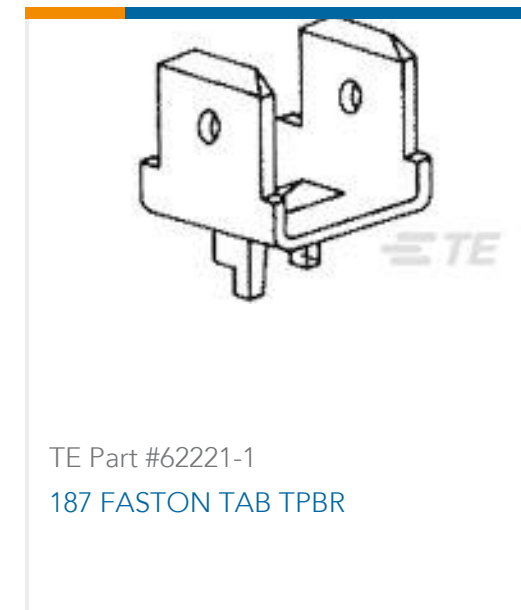
TE Part #HD34-24-91PE  
REC, 9P, AL, E, 8/12/16, P



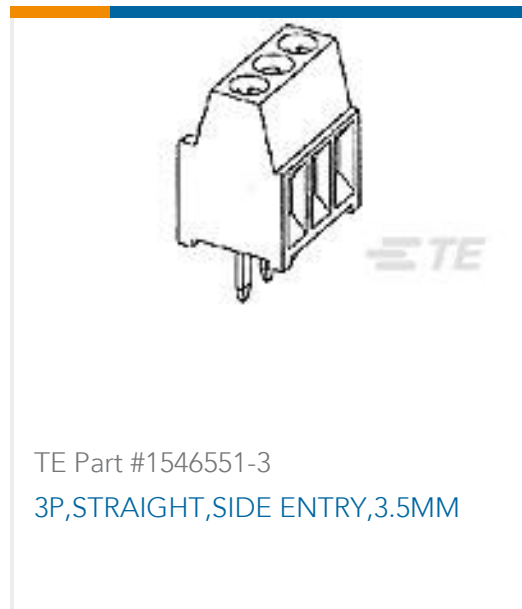
TE Part #1-353080-2  
DYNAMIC D-5200 HDR V ASSY 2P



TE Part #2-1419129-5  
OJ-SS-112LMH,000



TE Part #62221-1  
187 FASTON TAB TPBR



TE Part #1546551-3  
3P, STRAIGHT, SIDE ENTRY, 3.5MM



TE Part #1-2141227-1  
2POS, PIN DIA 8.0, PIN HSG, ASSY, SLD



TE Part #1649357-1  
RTH14005



TE Part #2069526-4  
DYNAMIC FRAME PANEL Z key



TE Part #1721214-5  
PCH-112L2M,002X

## Documents

### Product Drawings

Plug Assembly, 200A, MSD

English

### CAD Files

3D PDF

3D

Customer View Model

[ENG\\_CVM\\_CVM\\_2103172-8\\_E.2d\\_dxf.zip](#)

English

Customer View Model

[ENG\\_CVM\\_CVM\\_2103172-8\\_E.3d\\_igs.zip](#)

English

Customer View Model

[ENG\\_CVM\\_CVM\\_2103172-8\\_E.3d\\_stp.zip](#)

English

By downloading the CAD file I accept and agree to the [Terms and Conditions](#) of use.

## Product Specifications



## Product Specification

English

---

## Instruction Sheets

### Instruction Sheet (U.S.)

English