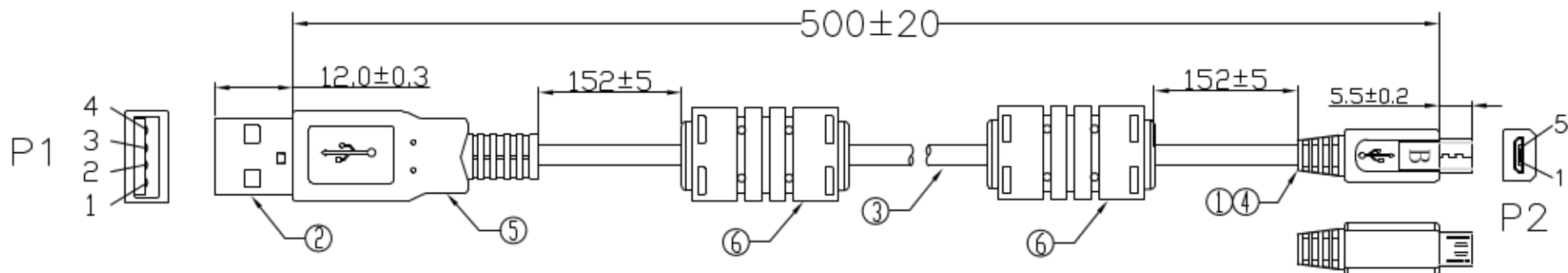


UNIT:mm

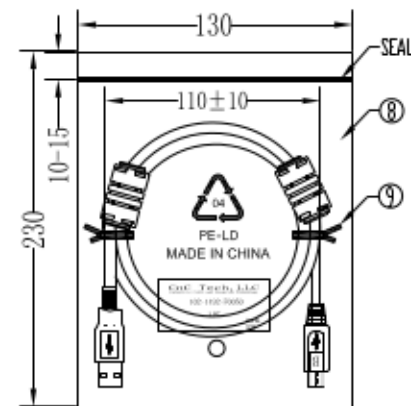


PIN ASSIGNMENT		
P1		P2
1	RED	1
2	WHITE	2
3	GREEN	3
4	BLACK	5
SHELL	DR+BR	SHELL

Electrical test:

1. 100% short, open, miswire test
2. Conduct resistance: 5 Ohm(max)
3. Insulation resistance: 10Mohm(min)
4. dielectric test: DC 300V

CnC Tech, LLC
 Industrial Cable and Connector Technology
 102-1492-BL-F0050
 10 PCS.
 RoHS
 YWW



1PCS/PE BAG

NO.	NAME	Q'TY	SPECIFICATION
①	TIE	2	BLACK L=80mm
②	PE BAG	1/10	CLEAR PE BAG SIZE:280*330*0.05mm
③	PE BAG	1	CLEAR PE BAG SIZE:130*230*0.05mm.
④	OUT JACKET	15g	BLACK 45P PVC (MOLD NO: CH003)
⑤	FERRITE	2	OD:12*ID:5.6*L20mm
⑥	OUT JACKET	5g	BLACK PVC-45P (MOULD NO:WM-40)
⑦	IN JACKET	0.35g	CLEAR LD-PE (MOULD NO: NM-86)
⑧	OUT JACKET	4.5g	BLACK PVC-45P (MOULD NO: WM-116)
⑨	CABLE	1	USB2.0 UL2725 (28AWG*1P+24AWG*2C) +AEB(48B ALMG) L=500±10MM BLACK OD:4.5mm
⑩	CONN	1set	USB A MALE PIN G/F SHELL NICKEL INSULATION WHITE
⑪	CONN	1	MICRO USB 5P B MALE PIN G/F SHELL NICKEL INSULATION BLACK

CnC Tech, LLC
 Industrial Cable and Connector Technology

DRAWN BY	LYNDON	DRAWING NO	VG/LJQ-094-098-A
CHECKED BY		CUSTOMER	
APPROVAL BY		ITEM NO.	102-1492-BL-F0050
DECIDED BY		DATE	2017.02.24
VERSIONS/EDITEON	A/0	PROJECTION	