

- 10/100 Base-T Ethernet Application
- PoE compatible with IEEE802.3af
- For applications with 350mA current capability
- RJ45 jack cavity conforms to FCC rules and regulations Part 68, SUB Part F
- Industrial Temp: -40°C to +85°C
- Suitable for IR Reflow
- Other LED Patterns available

Electrical Specifications @ 25°C

OCL(μH Min) @ 100kHz, 0.1V With 8mA DC Bias	Turns Ratio (±5%)		Insertion Loss (dB Max)	CrossTalk (dB Min)
350	P1-P3 : J1-J2	P4-P5 : J3-J6	1-100MHz	1-100MHz
	1 : 1	1 : 1	-1.0	-30

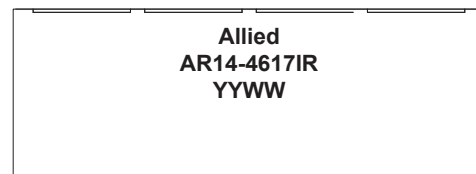
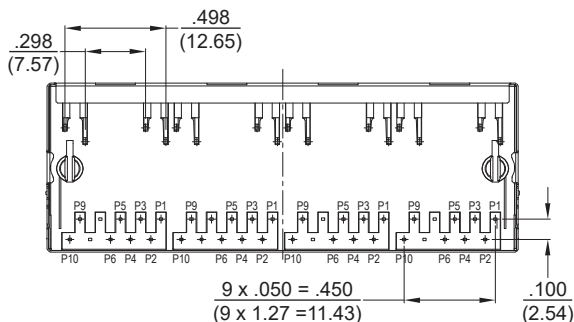
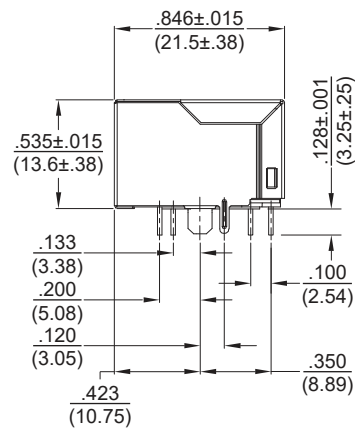
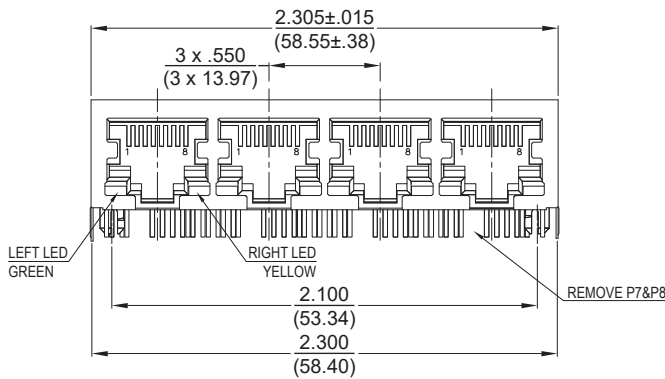
Electrical Specifications @ 25°C

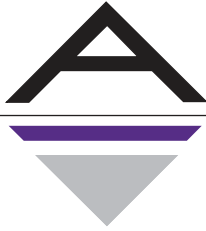
	Return Loss (dB Min)	CMR (dB Min)	HI-POT Input - Output 1.0mA/3Sec. 1500VAC
1-30MHz	30-60MHz	60-80MHz	
-18	-16	-12	

All specifications subject to change without notice.

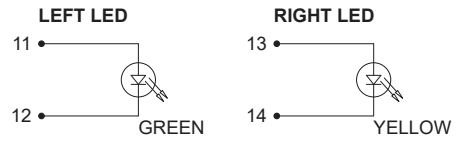
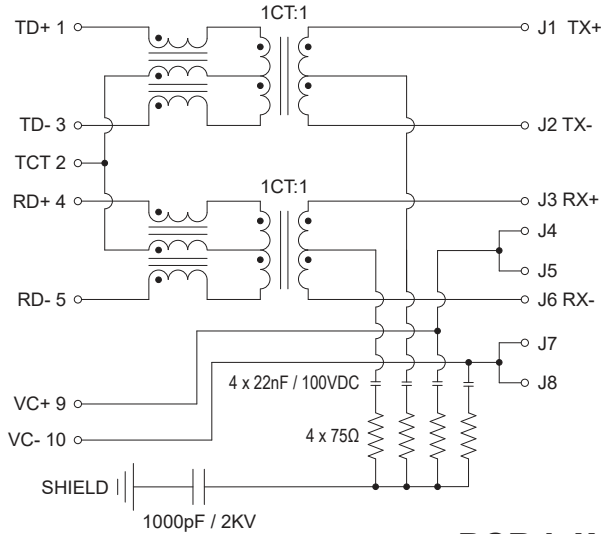
MECHANICAL

DIMENSIONS: inch
(mm)





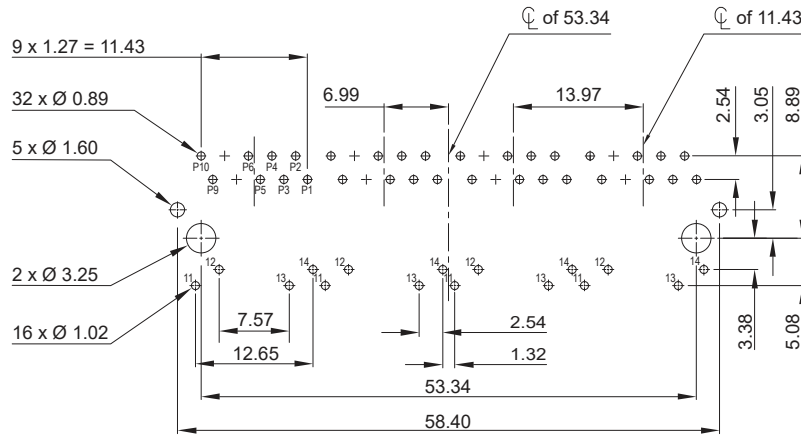
SCHEMATICS



STANDARD LED	WAVELENGTH	FORWARD VOLTAGE
GREEN	565nm	2.5V Max
YELLOW	585nm	2.5V Max

With a forward current of 20mA.

PCB LAYOUT



NOTES

- Shielded - 0.25mm Thickness Brass C2680H
Plating Nickel 30µ"-50µ" Min.
- Housing - Plastic: FR52, Glass Fiber Filled
UL94V-0, Color Black
- Contact Pin - Plastic: FR52, Glass Fiber Filled
UL94V-0, Color Black
Pin: 0.35mm Thickness Phosphor Bronze C5210 EH
Plating: Nickel 30µ"-60µ" for all and Sn 100%
and Gold Plating 6µ"
- Insert Pin - Plastic: FR52, Glass Fiber Filled
UL94V-0, Color Black
Pin: 0.35mm Thickness SUS430
Plating: Sn All Over 30µ"-60µ" Nickel

Wave Solder Profile:

- Peak temperature (Tp): 260°C±5°C
- Peak temperature (Tp) time: 5 Sec Max

