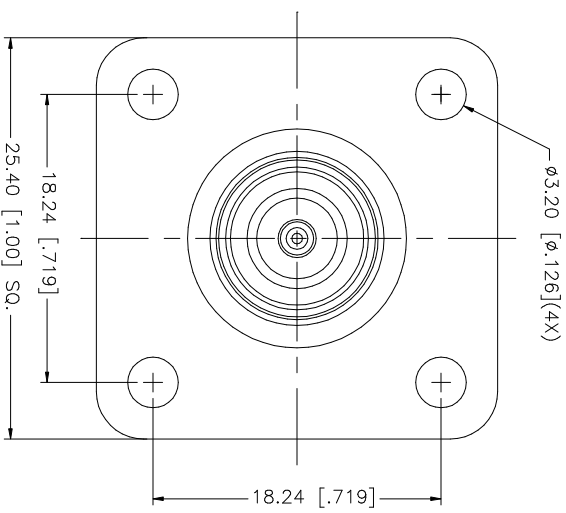
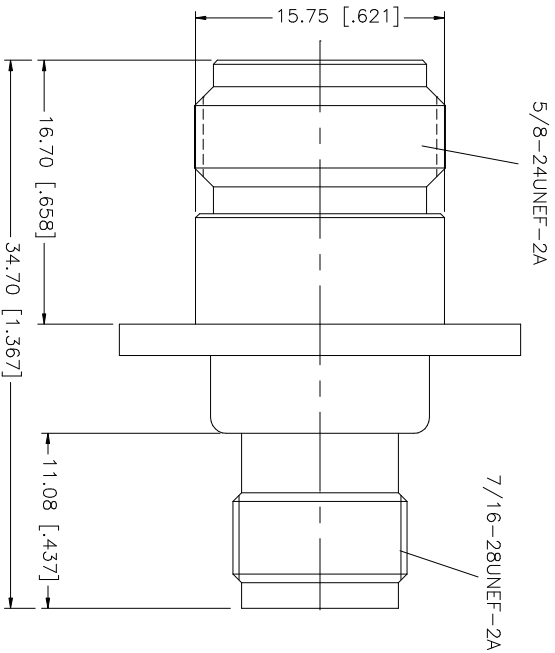
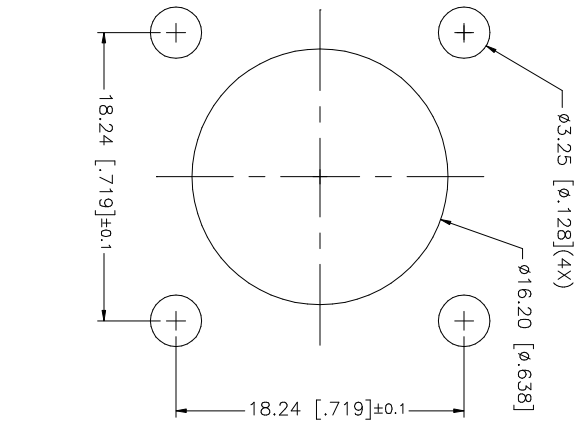


REV.	DATE	DESCRIPTION
NC	09/29/05	INITIAL RELEASE



NO.	DESCRIPTION	MATERIAL	FINISH	QTY	DO NOT SCALE DRAWING	CAD FILE	APPROVALS	DATE	DWG. NO.	REV.	NC	SIZE	SCALE
8					UNLESS OTHERWISE SPECIFIED DIMENSIONS ARE IN MILLIMETERS. DIMENSIONS IN [] ARE IN INCHES AND FOR CUSTOMER REFERENCE ONLY. UNLESS OTHERWISE SPECIFIED TOLERANCES FOR MILLIMETERS ARE: 0.5 - 8mm ± 0.20mm 8 - 30mm ± 0.40mm 30 - 120mm ± 0.50mm UNLESS OTHERWISE SPECIFIED TOLERANCES FOR INCHES ARE: .020 - .315 = ± 0.007" .315 - 1.180 = ± 0.015" 1.180 - 4.724 = ± 0.020"	C:/242/242222.DWG			242222.DWG			A	NA
7				DRAWN		G.R.S.	09/29/05						
6				CHECKED									
5				ISSUED									
4	CONTACT PIN	BERL COPPER	GOLD	1									
3	INSULATOR	TEFLON	NATURAL	1									
2	BODY W/PANEL	BRASS	NICKEL	1									
1	DESCRIPTION												
						PART NO.	N JACK TO TNC JACK ADAPTER						
						PART NO.	242222						