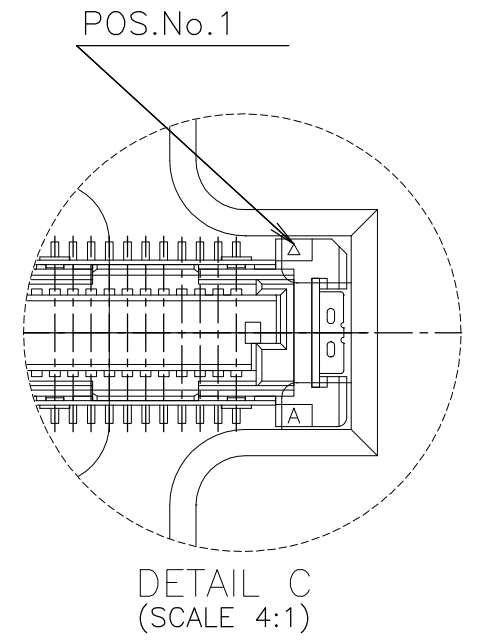
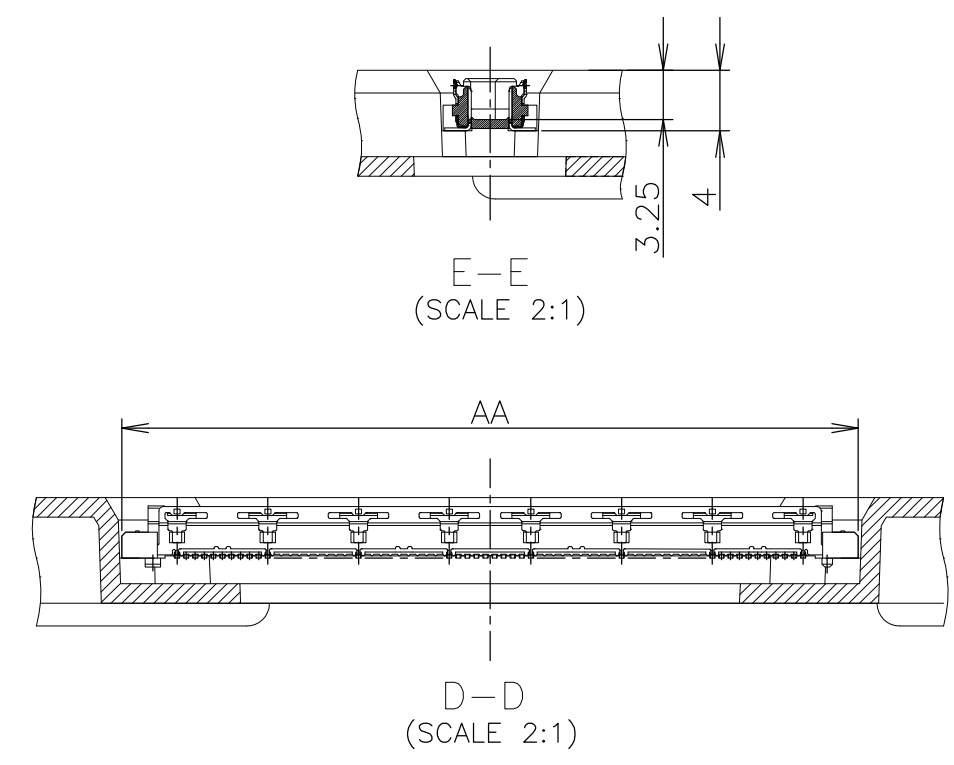
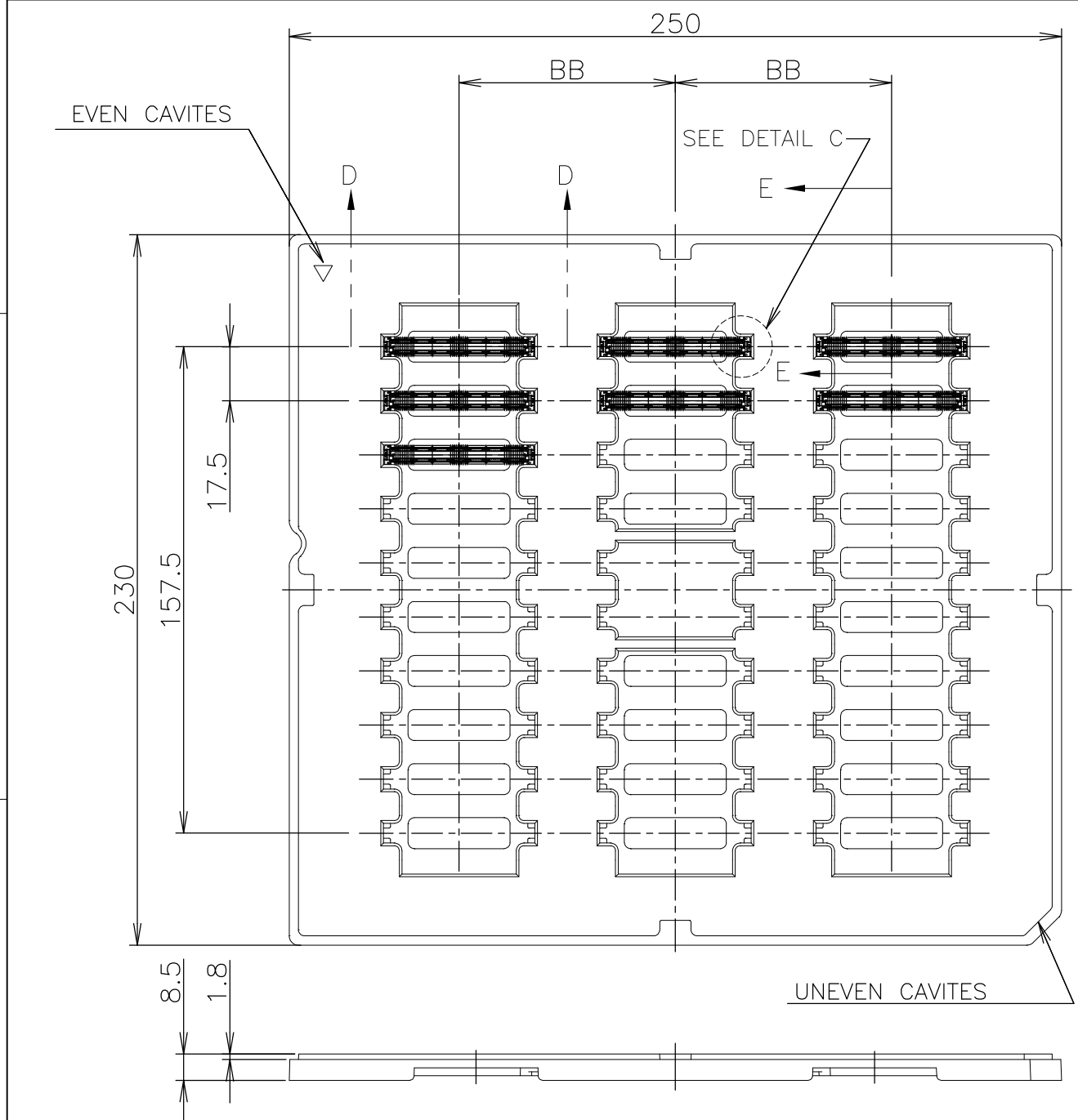


THIS DRAWING IS UNPUBLISHED. RELEASED FOR PUBLICATION OCT, 1995.
 © COPYRIGHT 1995 BY TYCO ELECTRONICS CORPORATION. ALL RIGHTS RESERVED.

LOC	DIST	REVISIONS			DATE	DWN	APVD
J		P	LTR	DESCRIPTION			
		A	REVISED	ECR-08-000339	01FEB08	T.T	T.F



GENERAL TOLERANCE
一般公差

10 ≥	±0.2
30 ≥	>10: ±0.25
100 ≥	>30: ±0.3
ANGLES: ±3°	

THIS DRAWING IS A CONTROLLED DOCUMENT.

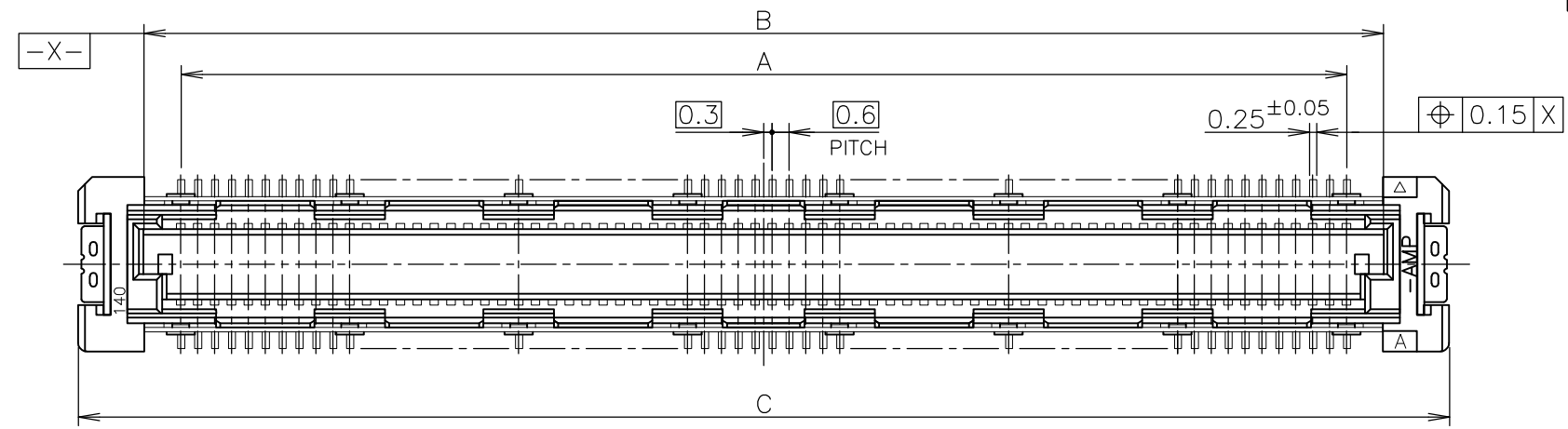
DIMENSIONS: 単位: 耗 mm	TOLERANCES UNLESS OTHERWISE SPECIFIED: 一般公差
0 PLC ± -	1 PLC ± -
2 PLC ± -	3 PLC ± -
4 PLC ± -	ANGLES ± -
MATERIAL 材料	FINISH 仕上

SEALANT	AVAILABLE	3	30	70	54.7	160	1-5316559-1
	AVAILABLE	↑	↑	↑	48.7	140	1- -0
	NOT AVAILABLE				42.7	120	-9
		↑	↓	↓	36.7	100	-8
		3	30	70	33.7	90	-7
		5	50	43	30.7	80	-6
		↑	↑	↑	27.7	70	-5
					24.7	60	-4
					21.7	50	-3
		↓	↓	↓	18.7	40	-2
NOT AVAILABLE	5	50	43	15.7	30	5316559-1	
SEALANT	TOOLING STATUS	ROW	QTY	BB	AA	POS.	PART NO.

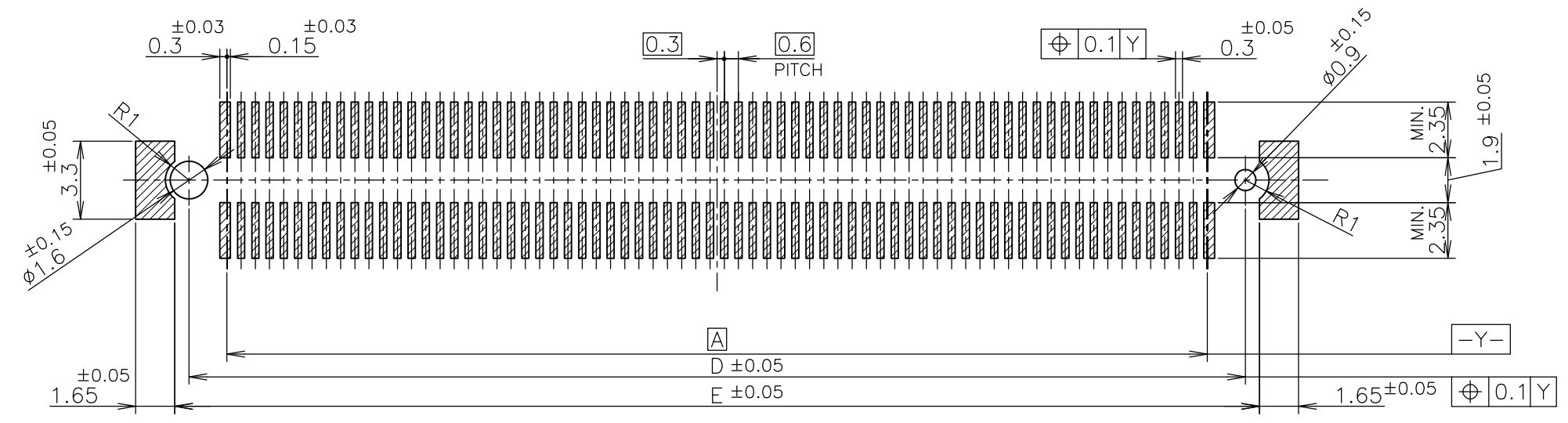
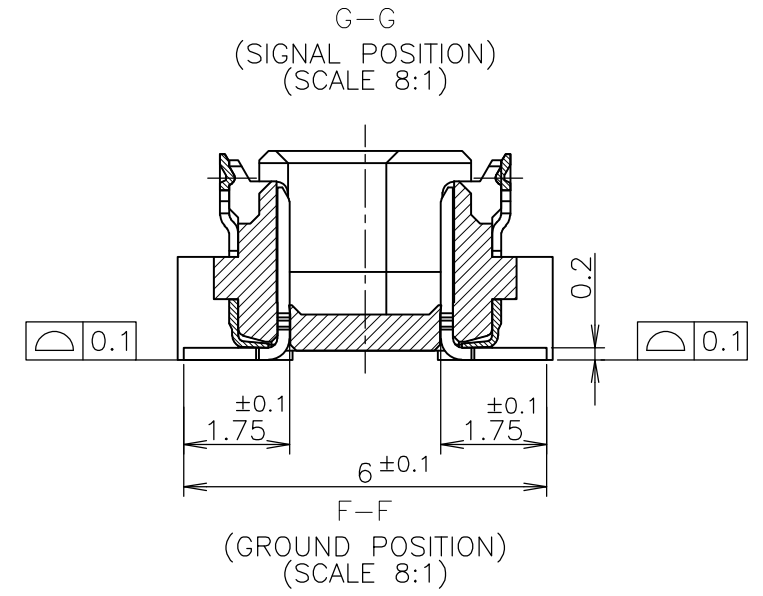
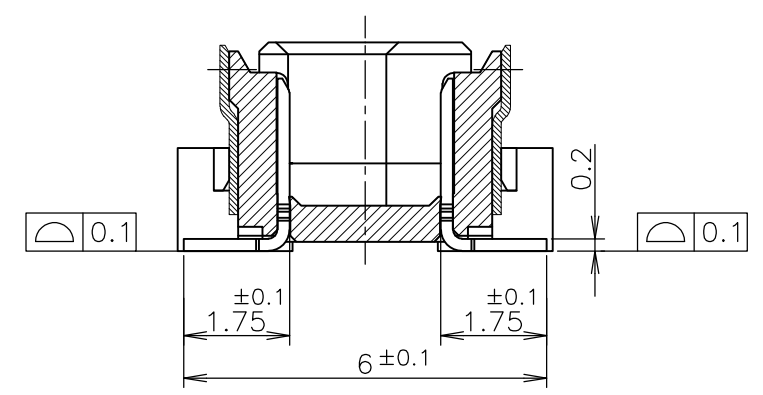
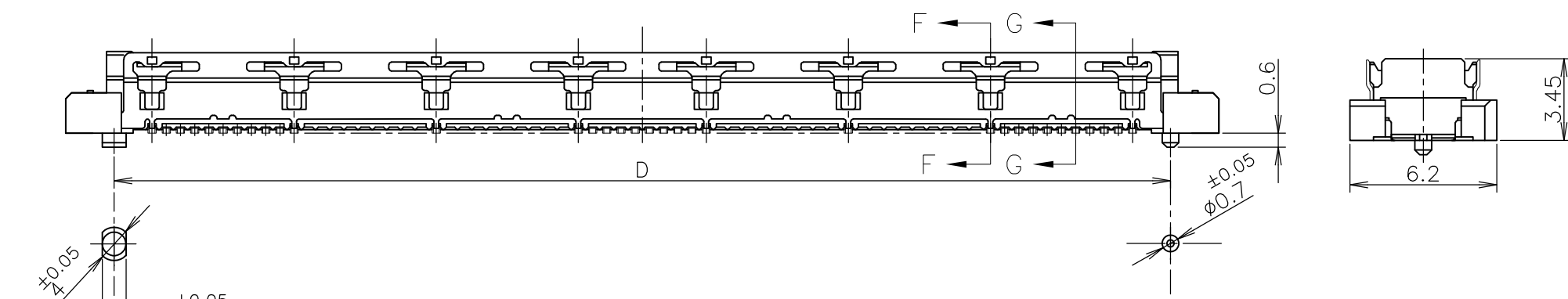
DWN LEO ZHOU 17NOV04		Tyco Electronics Corporation	
CHK STEVEN YAO 17NOV04		Kawasaki, Japan	
APVD I.ENOMOTO 17NOV04		NAME 名称	
PRODUCT SPEC 製品規格 108-60047		HARD TRAY ASSY	
APPLICATION SPEC 取付適用規格 114-5255		FH 0.6BTB CONNECTOR	
WEIGHT		PLUG 4H W/G-PLATE	
SIZE	CAGE CODE	DRAWING NO 番号	RESTRICTED TO
A3	00779	G-5316559	
CUSTOMER DRAWING		SCALE 尺度 1:2	SHEET 1 OF 3
			REV A

THIS DRAWING IS UNPUBLISHED. RELEASED FOR PUBLICATION OCT, 1995.
 © COPYRIGHT 1995 BY TYCO ELECTRONICS CORPORATION. ALL RIGHTS RESERVED.

LOC	DIST	REVISIONS		
J		P	LTR	DESCRIPTION
				DATE
				DWN
				APVD
		SEE SHEET 1		



- △ MATERIAL ; HOUSING : HIGH TEMP THERMO PLASTIC UL94V-0
CONTACT : COPPER ALLOY
- △ FINISH ; UNDER PL Ni 0.0013mm MIN ALL OVER.
CONTACT AREA 0.0002 MIN Au PL.
SOLDERING AREA 0.001 MIN TIN PL.
- △ THIS POSITION IS GROUND CIRCUIT.



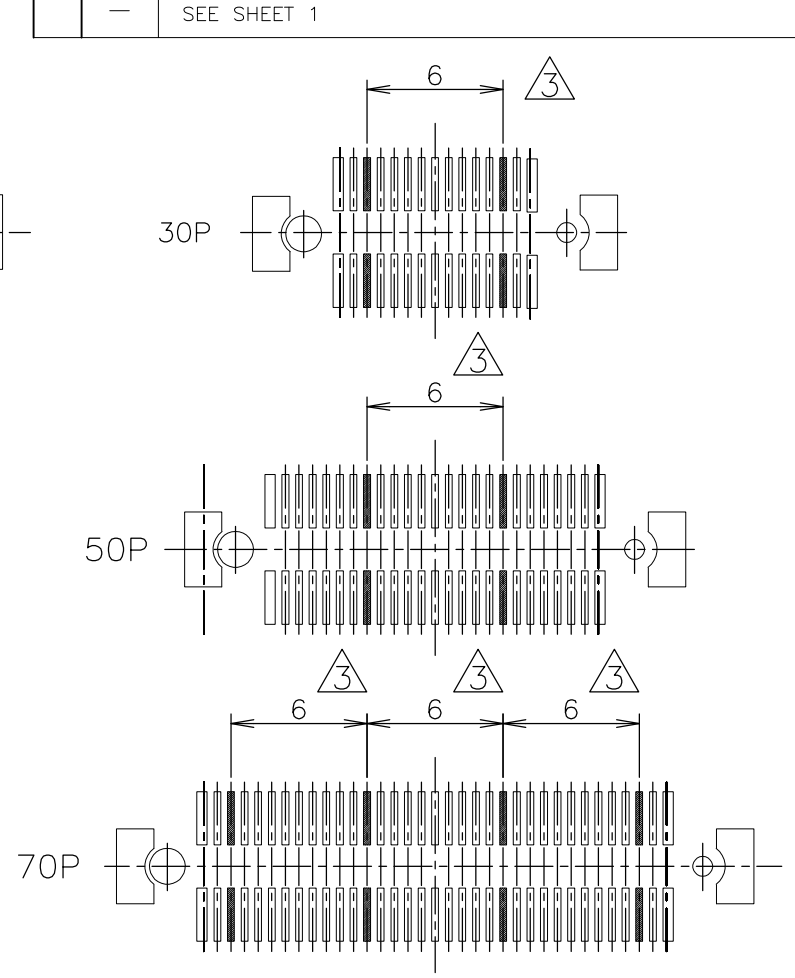
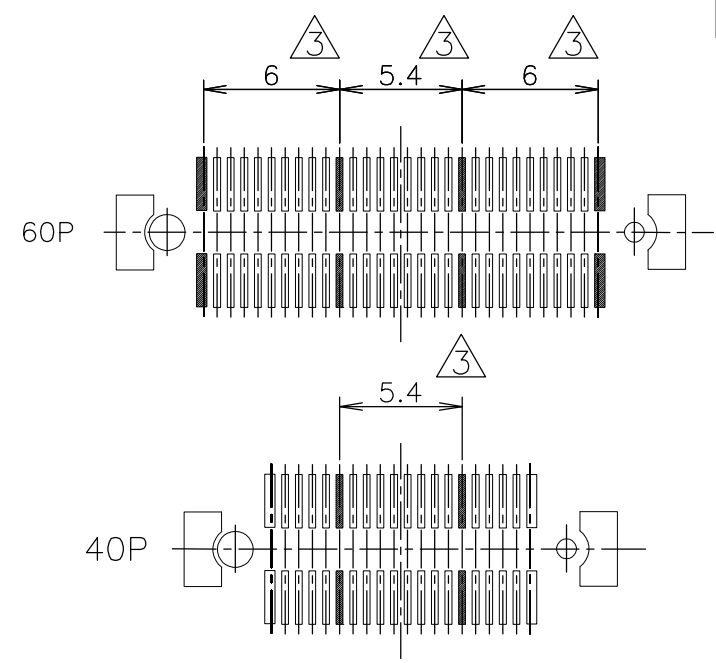
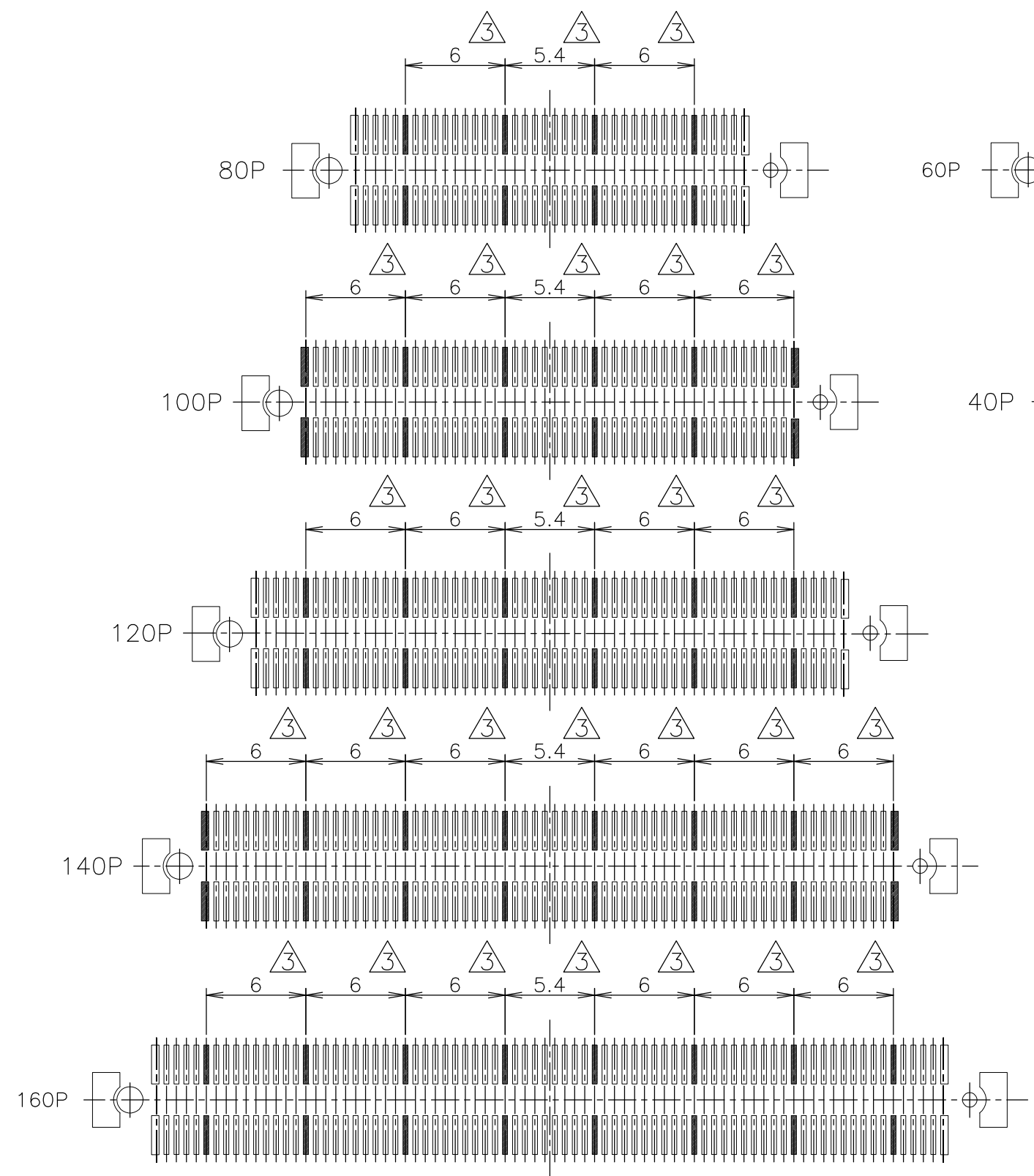
REFERENCE P.C.BOARD LAYOUT

AVAILABLE	51.8	50.6	54.7	50	47.4	160	1-5316559-1
AVAILABLE	45.8	44.6	48.7	44	41.4	140	1-5316559-0
NOT AVAILABLE	39.8	38.6	42.7	38	35.4	120	-9
AVAILABLE	33.8	32.6	36.7	32	29.4	100	-8
NOT AVAILABLE	30.8	29.6	33.7	29	26.4	90	-7
NOT AVAILABLE	27.8	26.6	30.7	26	23.4	80	-6
AVAILABLE	24.8	23.6	27.7	23	20.4	70	-5
AVAILABLE	21.8	20.6	24.7	20	17.4	60	-4
AVAILABLE	18.8	17.6	21.7	17	14.4	50	-3
NOT AVAILABLE	15.8	14.6	18.7	14	11.4	40	-2
NOT AVAILABLE	12.8	11.6	15.7	11	8.4	30	5316559-1
TOOLING STATUS	E	D	C	B	A	POS	PART NO.

THIS DRAWING IS A CONTROLLED DOCUMENT.		DWN	Tyco Electronics Corporation Kawasaki, Japan	
DIMENSIONS: 単位: 耗 mm		CHK	NAME 名称	
TOLERANCES UNLESS OTHERWISE SPECIFIED: 一般公差		APVD	HARD TRAY ASSY FH 0.6BTB CONNECTOR PLUG 4H W/G-PLATE	
0 PLC ± 0.3 1 PLC ± 0.3 2 PLC ± 0.3 3 PLC ± 0.3 4 PLC ± 0.3 ANGLES ± 3'		PRODUCT SPEC 製品規格	SIZE	CAGE CODE
MATERIAL 材料		APPLICATION SPEC 取付適用規格	A3	00779
FINISH 仕上		WEIGHT	DRAWING NO 番号	RESTRICTED TO
△		G-5316559		
△		CUSTOMER DRAWING		SCALE 尺度 4:1
		SHEET 2 OF 3		REV A

THIS DRAWING IS UNPUBLISHED. RELEASED FOR PUBLICATION OCT., 1995.
 © COPYRIGHT 1995 BY TYCO ELECTRONICS CORPORATION. ALL RIGHTS RESERVED.

LOC J	DIST	REVISIONS 変更			DATE	DWN	APVD
		P	LTR	DESCRIPTION			
			-	SEE SHEET 1	-	-	-



THIS DRAWING IS A CONTROLLED DOCUMENT.		DWN	Tyco Electronics Corporation Kawasaki, Japan		
DIMENSIONS: 単位: 耗 mm		CHK	NAME 名称		
TOLERANCES UNLESS OTHERWISE SPECIFIED: 一般公差		APVD	HARD TRAY ASSY FH 0.6BTB CONNECTOR PLUG 4H W/G-PLATE		
0 PLC ± 0.3 1 PLC ± 0.3 2 PLC ± 0.3 3 PLC ± 0.3 4 PLC ± 0.3 ANGLES ± 3'		PRODUCT SPEC 製品規格	SIZE	CAGE CODE	DRAWING NO 番号
MATERIAL 材料		APPLICATION SPEC 取付適用規格	A3	00779	G-5316559
FINISH 仕上		WEIGHT	RESTRICTED TO		
CUSTOMER DRAWING			SCALE 尺度 3:1	SHEET 3 OF 3	REV A