

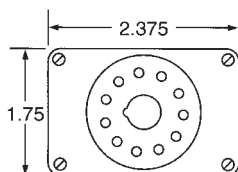
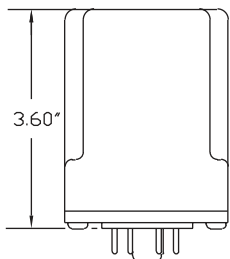
OPERATION

The ATC Diversified **SPM Series** Single Channel Seal Failure module is a specialized control for monitoring the **shaft seal** of a **submersible pump motor**. A leak is detected by sensing the position of a resistive float switch installed in the seal cavity. When the resistance drops below the sensitivity rating, the output relay energizes and the LED illuminates.

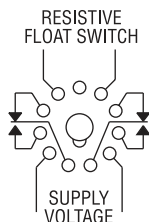


Single Channel Seal Failure Alarm

DIMENSIONS (INCHES)



WIRING



RB-11/PF013A

SPECIFICATIONS

CONTROL VOLTAGE	120 VAC, 50/60 Hz
SWITCH VOLTAGE	9 VDC
ISOLATION	2500 Volts
POWER REQUIRED	2 VA
DUTY CYCLE	Continuous
SENSITIVITY	470 Ω ±10% Fixed 300 Ω to 10K Ω ±10% Adjustable 4.7K Ω to 100K Ω ±10% Adjustable
CONTACT RATING	DPDT, 10 A @ 250 VAC Resistive
RESPONSE TIMES	Operate 15 ms (approximately) Release 8 ms (approximately)
LIFE EXPECTANCY	Mechanical 10,000,000 Operations (Minimum) Electrical 50,000 Operations @ Rated Load
INDICATORS	Red LED illuminates when leak is detected
TEMPERATURE RATING	Operate -4° to 131°F (-20° to +55°C) Storage -40° to 185°F (-40° to +85°C)
ENCLOSURE	11-Pin plug-in "A" style enclosure
WEIGHT	8 oz.

MODEL NUMBER

MODEL NUMBER	SPM	120	AAA	
SENSITIVITY				
470 Ω ±10% Fixed				470
300 Ω to 10K Ω ±10% Adjustable				10K
4.7K Ω to 100K Ω ±10% Adjustable				100K



Dual Channel Seal Failure Alarm

SPECIFICATIONS

CONTROL VOLTAGE	120 VAC, 50/60 Hz
SWITCH VOLTAGE	9 VDC
ISOLATION	2500 Volts
POWER REQUIRED	2 VA
DUTY CYCLE	Continuous
SENSITIVITY	10K Ω to 25K Ω \pm 10% Adjustable 4.7K Ω to 100K Ω \pm 10% Adjustable
CONTACT RATING	(2) SPST-N.O., 5 A @ 120 VAC Resistive
LIFE EXPECTANCY	Mechanical 20 Million Operations Electrical 50,000 Operations @ Rated Load
INDICATORS	Red LED illuminates when leak is detected
TEMPERATURE RATING	Operate -4° to 131°F (-20° to +55°C) Storage -40° to 185°F (-40° to +85°C)
ENCLOSURE	8-Pin plug-in "A" style enclosure
WEIGHT	8 oz.

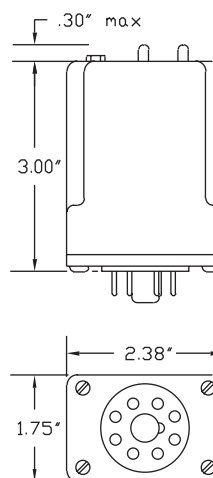
MODEL NUMBER

MODEL NUMBER	SPM	120	ABA	
SENSITIVITY	10K Ω to 25K Ω \pm 10% Adjustable			25K
	4.7K Ω to 100K Ω \pm 10% Adjustable			100K

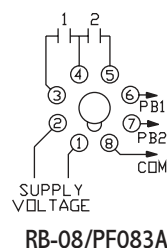
OPERATION

The ATC Diversified Electronics **SPM Series dual Seal Failure** module is a specialized control for monitoring the shaft seals of *two submersible pump motors*. Leaks are detected by sensing the conductivity of the contaminating fluid through probes installed in the seal cavity. When a seal begins to leak, the seal failure module energizes one of its SPST output relays indicating that the seal needs to be replaced before the motor is damaged. The sensitivity of the probe inputs is field adjustable. When the resistance between one of the probe inputs and the common connection drops below the sensitivity setting, the corresponding output relay and LED are activated.

DIMENSIONS (INCHES)



WIRING



OPERATION

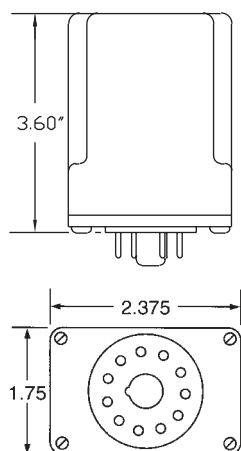
The non-volatile **Latching Temperature Switch** relay monitors a normally-closed-low temperature switch. It incorporates a bistable relay that retains its state during power failures. LEDs indicate the status of the relay, and connections for an external reset button are provided for manual control. The reset inputs of multiple units may be connected to a single push button as long as proper polarity is observed when making the connections. Under normal conditions the temperature switch is closed and the relay is de-energized. When the temperature switch opens, the relay energizes and latches on until the temperature switch re-closes and the reset button is pressed. The unit will function properly with zero to 2k Ω of resistance in series with the temperature switch.

CE **UL** **US**
E55826

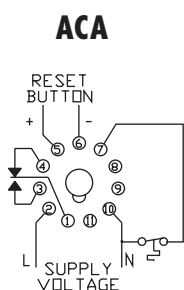


Temperature Switch Relay

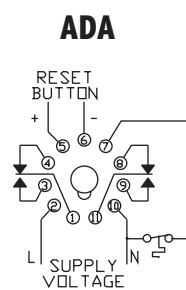
DIMENSIONS (INCHES)



WIRING



RB-11/PF113A



RB-11/PF113A

SPECIFICATIONS

CONTROL VOLTAGE	120 VAC, 50/60 Hz	
POWER REQUIRED	2 VA	
DUTY CYCLE	Continuous	
CONTACT RATING	SPM-120-ACA	SPDT, 10 A @ 250 VAC, Resistive, 360 VA Ind.
	SPM-120-ADA	DPDT, 10 A @ 250 VAC, Resistive
RESPONSE TIMES	Operate	10 ms (approximately)
	Release	1 SEC (approximately)
LIFE EXPECTANCY	Mechanical	30 Million Operations
	Electrical	50,000 Operations @ Rated Load
INDICATORS	SPM-120-ACA	Green LED illuminates under normal conditions Red LED illuminates under fault conditions
	SPM-120-ADA	None
TEMPERATURE SWITCH	Voltage	12 VDC
	Current	2 mA max.
TEMPERATURE RATING	Operate	-4° to 131°F (-20° to +55°C)
	Storage	-40° to 185°F (-40° to +85°C)
ENCLOSURE	11-Pin plug-in "A" style enclosure	
WEIGHT	8 oz.	

ORDERING INFORMATION

MODEL NUMBER	DESCRIPTION
SPM-120-ACA	SPDT, 10A @ 250V AC Latching Temp Switch
SPM-120-ADA	DPDT, 10A @ 250V AC Latching Temp Switch




US LISTED
 IND. CONT. EQ.
 496Y
 (Model AEE)

Submersible Pump Monitor Dual Function Alarm Relay

SPECIFICATIONS

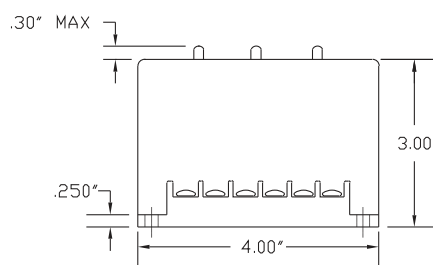
CONTROL VOLTAGE	120 VAC, 50/60 Hz (Model AEE) 120-240V AC 50/60 Hz (Model AEA) 24V AC/DC (Model AEA)
SENSOR VOLTAGE	12 VDC (Model AEE) 9V DC (Model AEA)
POWER REQUIRED	4 VA
DUTY CYCLE	Continuous
SENSITIVITY	Leakage 1K Ω to 35K Ω adjustable (Model AEE) 1K Ω to 25K Ω adjustable (Model AEA) 4.7K Ω to 100K Ω adjustable (Model AEA) Over Temperature Open Circuit
CONTACT RATING	(2) SPDT, 10 A @ 120 VAC Resistive
LIFE EXPECTANCY	Mechanical 10 Million Operations Electrical 100,000 Operations @ Rated Load
INDICATORS	Green LED illuminates under normal conditions Red LED illuminates when leak is detected Red LED illuminates on over-temperature
TEMPERATURE RATING	Operate -4° to 131°F (-20° to +55°C) Storage -40° to 185°F (-40° to +85°C)
RESPONSE TIMES	Leakage Trip 1 SEC Leakage Reset 1 SEC Temperature Trip 0.1 SEC
TERMINATIONS	(12) #8-32 Screw Terminals (Model AEE)
ENCLOSURE	Style "E" Lexan® Surface Mounted (Model AEE) Style "A" 11 Pin Plug-In (Model AEA)
WEIGHT	17 oz. (Model AEE)
RESET	Seal Leakage: When the leakage condition clears the relay resets automatically Over Temperature: 1. Remote Manual Reset 2. For "S" type models when reset switch is set in auto position the unit will be reset by interrupting supply voltage for 1.5 sec.

The ATC Diversified **Submersible Pump Monitor** is a specialized control for monitoring the **shaft seal** and stator **temperature** of a **submersible pump motor**. Seal leakage is detected by either a resistive float switch or a pair of conductive probes installed in the seal cavity. Over-temperature is detected by a normally-closed-low temperature switch mounted on the stator. The over-temperature function incorporates a bistable relay that retains its position during power failures. For (S) models over-temperature reset can be configured by changing the reset switch.

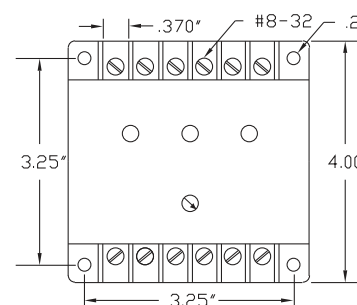
ORDERING INFORMATION

MODEL NUMBER	DESCRIPTION
SPM120AEE	Dual Function Alarm Relay 120 vac Base Mount.
SPM120AEA25K	Dual Function Alarm Relay 120 vac, 1k to 25 k sensitivity, Plug-in.
SPM24AEA25K	Dual Function Alarm Relay 24v ac/dc, 1k to 25 k sensitivity, Plug-in.
SPM120AEA100K	Dual Function Alarm Relay 120 vac, 4.7k to 100 k sensitivity, Plug-in.
SPM24AEA100K	Dual Function Alarm Relay 24v ac/dc 4.7k to 100 k sensitivity, Plug-in.
SPM120AEA(S) 25K	Dual Function Alarm Relay 120 vac, 1k to 25 k sensitivity, Plug-in, reset mode selector switch
SPM24AEA(S) 25K	Dual Function Alarm Relay 24v ac/dc, 1k to 25 k sensitivity, Plug-in, reset mode selector switch
SPM120AEA(S) 100K	Dual Function Alarm Relay 120 vac, 4.7k to 100k sensitivity, Plug-in, reset mode selector switch.
SPM24AEA(S) 100K	Dual Function Alarm Relay 24v ac/dc, 4.7k to 100k sensitivity, Plug-in, reset mode selector switch.

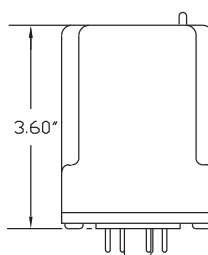
DIMENSIONS (INCHES)



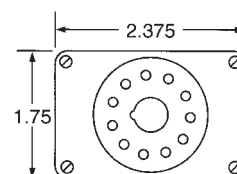
MODEL (AEE) BASE MOUNT



DIMENSIONS (INCHES)



MODEL (AEA) 11 PIN PLUG-IN

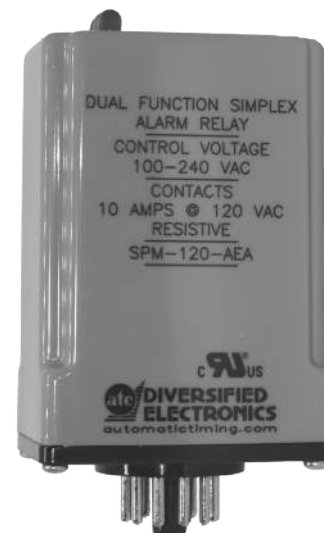


OPERATION

Figure 1 shows the connections for use with a Flygt model FLS float switch. The leakage sensitivity must be adjusted to 1 k for float switch applications. If a pair of conductive probes is used to sense seal leakage, a 100 k resistor is required as shown in Figure 2, and the sensitivity should be set to the desired value.

The states of the unit's relay outputs are determined by the series combination resistance of the leakage and temperature sensors. Under normal conditions the resistance remains between the leakage and over-temperature sensitivities, and both output relays are de-energized. If the temperature switch opens, the over-temperature relay latches on until the remote reset button is pressed. Two conditions must be met for reset to occur: power must be applied and the temperature switch must be closed. If the leakage sensor resistance drops below the leakage sensitivity setting, the leakage relay energizes. When the leakage condition clears, the relay resets automatically.

CEUS
E55826
(Model AEA)



WIRING MODEL (AEE) (BASE MOUNT)

Figure 1

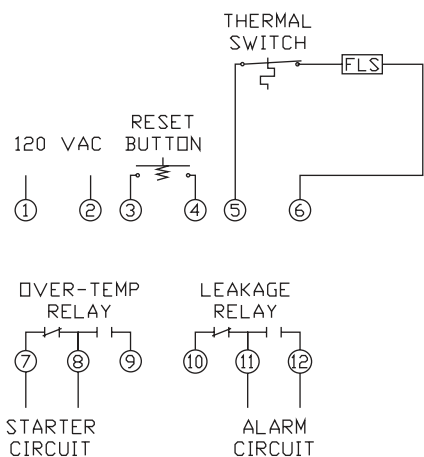
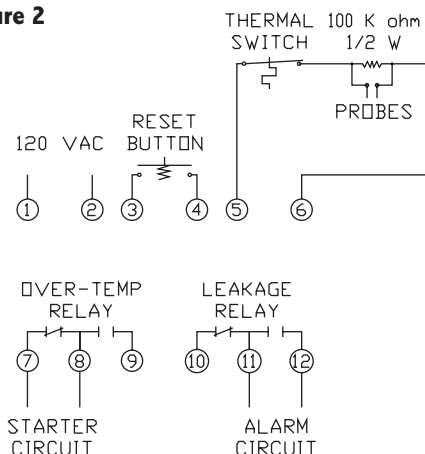


Figure 2



WIRING MODEL (AEA) (PLUG-IN)

Figure 1

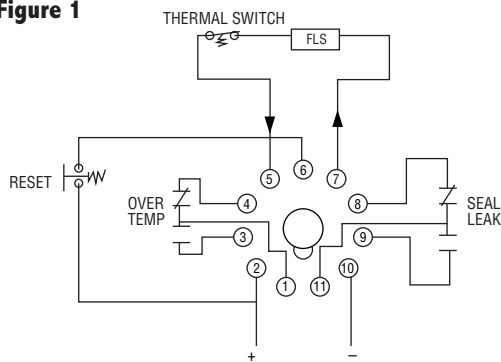
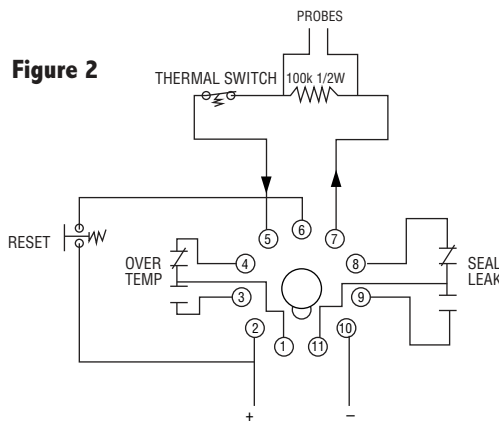


Figure 2



ACCESSORIES: SOCKETS

OT11-PC 11 pin din-rail mount socket.

RB-11 11 pin surface mount socket.