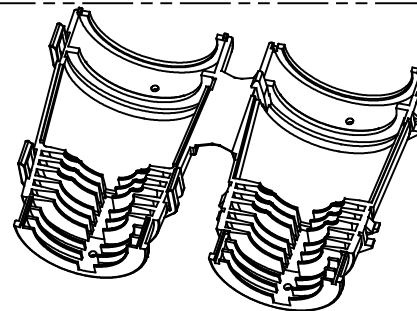
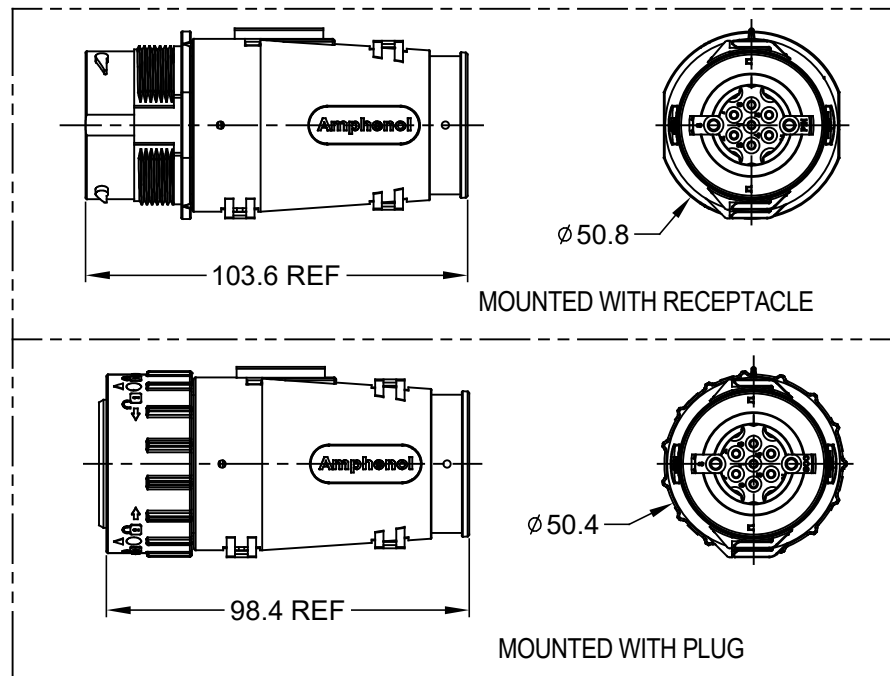
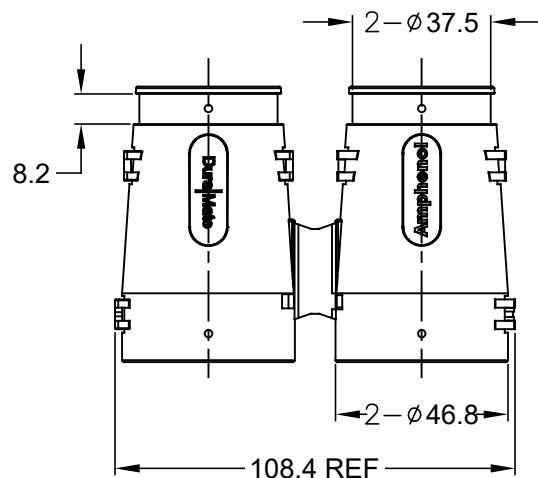
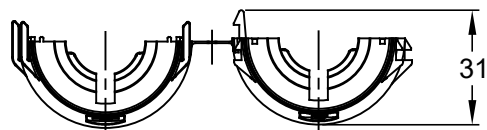
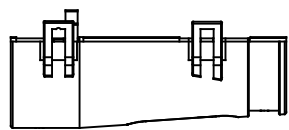
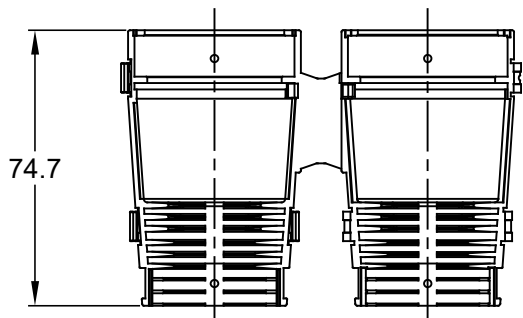


REVISIONS

REV	ECO	DESCRIPTION	DATE	BY	APPR
A1		RELEASE NEW PRODUCT	23MAY17	JONY	TOMMY



NOTES: UNLESS OTHERWISE SPECIFIED

1. MATERIAL: THERMOPLASTIC,COLORS: BLACK
- 2.USE WITH AHDP04/06-24-\*P/S-WTA
- 3.CABLE EXIT DESIGNED FOR CORRUGATED TUBE NW 17,19 AND 26.
4. RoHS COMPLIANT
5. ALL DIMENSIONS ARE FOR REFERENCE USE ONLY.

AHDPBS-010-2405		DESCRIPTION		ITEM
PART NUMBER		DESCRIPTION		ITEM
QUANTITY	MATERIALS LIST			
UNLESS OTHERWISE SPECIFIED:		SIGNATURES		DATE
1) All dimensions are in metric(mm).		DRAWN: Jony.Xie	23MAY17	
2) Tolerances are as follows:		CHECKED: Orion.Li	23MAY17	
1 PL DEC ±0.30		ENGINEER:		
2 PL DEC ±0.15		APPROVAL: TOMMY.Xie	23MAY17	
3 PL DEC ±0.08		CUSTOMER:		
3) Note reference = $\triangle$		THIS DRAWING IS SUPPLIED FOR INFORMATION ONLY. DESIGN FEATURES, SPECIFICATIONS AND PERFORMANCE DATA SHOWN HEREON ARE THE PROPERTY OF THE AMPHENOL CORPORATION. NO RIGHTS OF REPRODUCTION ARE IMPLIED. ALL DIMENSIONS ARE SUBJECT TO NORMAL MANUFACTURING VARIATIONS.		
MATERIAL SPECIFICATIONS:		SIZE	TYPE	DWG NO.
PROCESS SPECIFICATIONS:		A	C-	AHDPBS-010-2405
NEXT ASSY:		SCALE: NONE		REVISION
				A1
		SHEET 1 OF 1		

**Amphenol**

Sine Systems - www.amphenol-sine.com  
44724 Morley Drive  
Clinton Township, MI 48036

BACKSHELL,COVER,AHDP SERIES,SIZE 24