

4

3

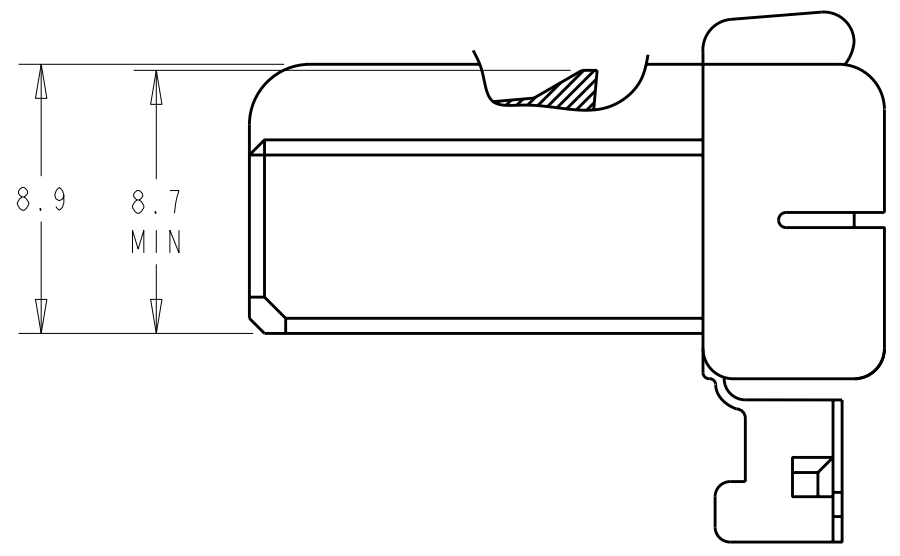
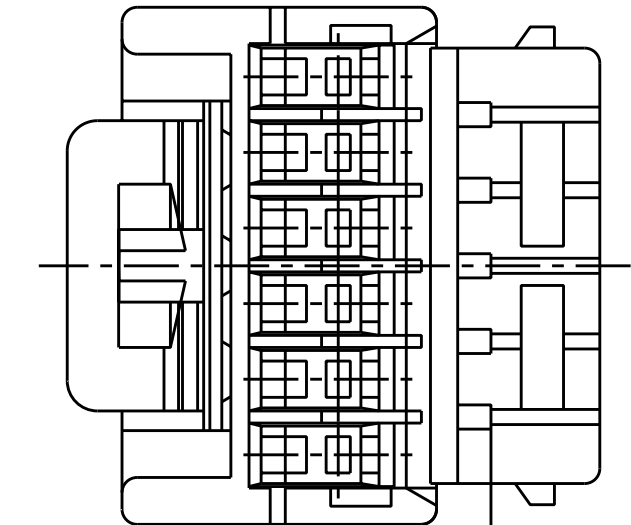
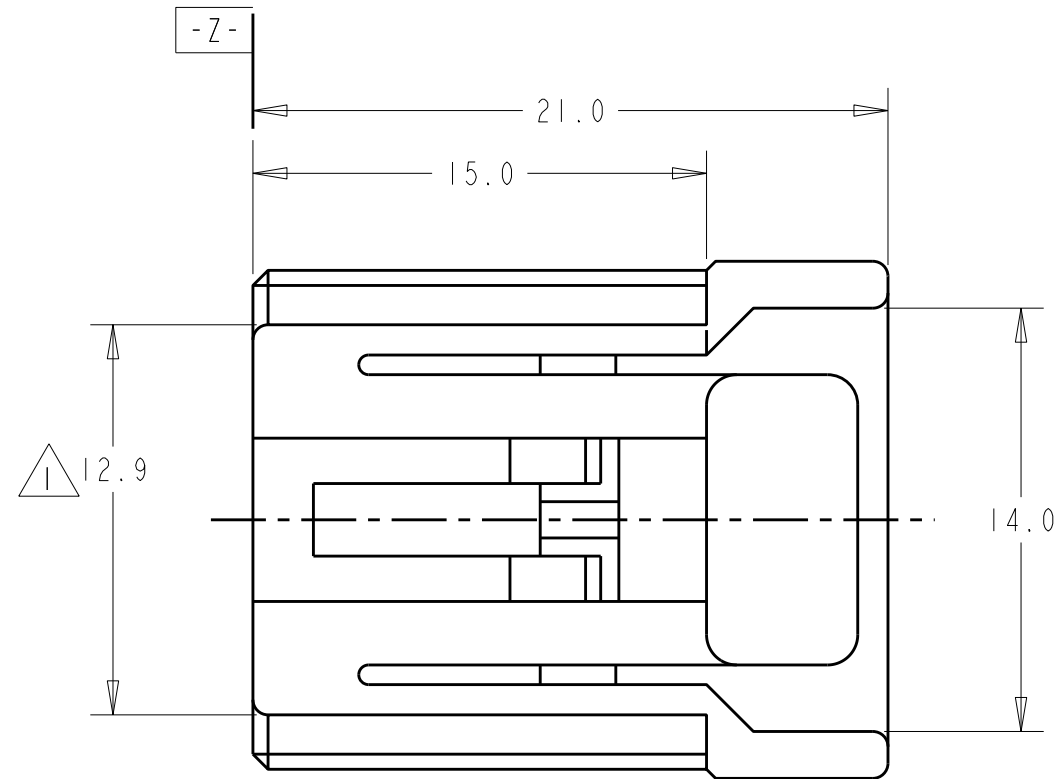
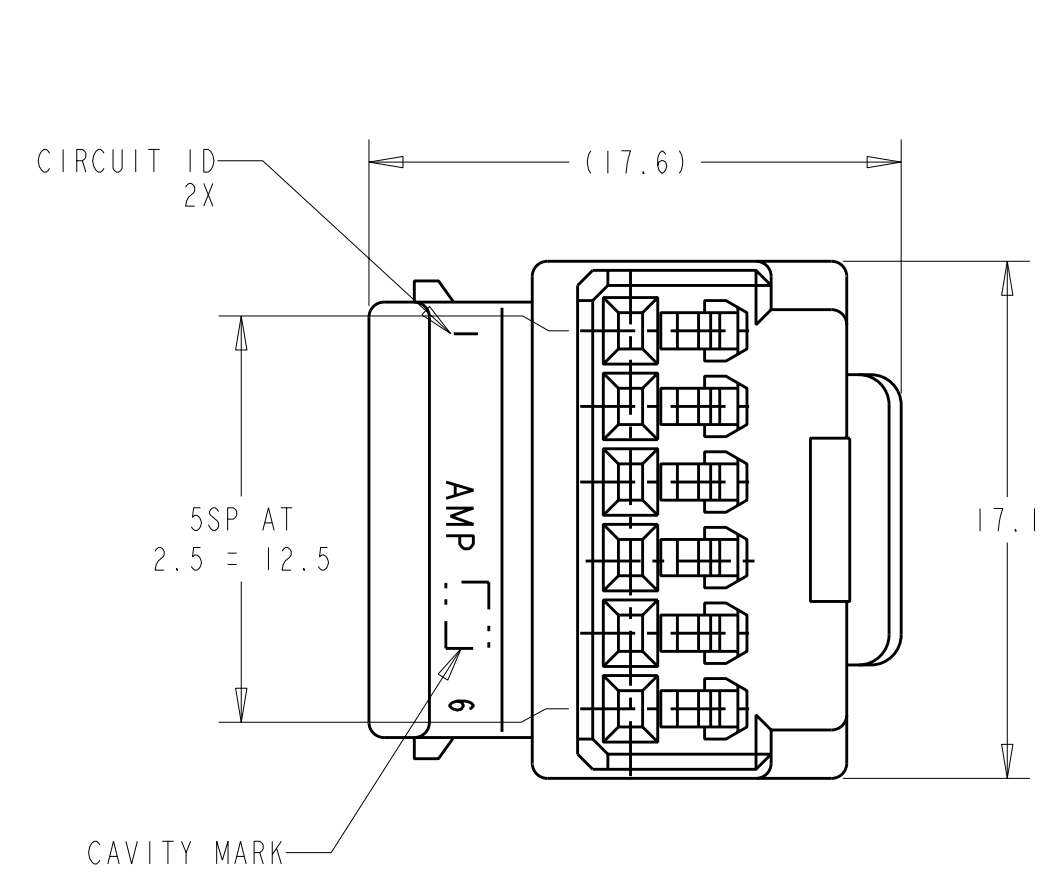
2

1

THIS DRAWING IS UNPUBLISHED. RELEASED FOR PUBLICATION 20
 © COPYRIGHT 20 BY TYCO ELECTRONICS CORPORATION. ALL RIGHTS RESERVED.

LOC	DIST	REVISIONS			
P	LTR	DESCRIPTION	DATE	DWN	APVD
FX	00	E	REVISED PER ECO-09-023572	23OCT2009	DD SA

- 1. MUST BE HELD BETWEEN **-Z-** AND 2mm FROM **-Z-**
- 2. THE MATING CAP ASSEMBLY PART NUMBER IS 638102.
- 3. APPLIED RECEPTACLE CONTACT IS 173681.



NATURAL	638100-1
COLOR	PART NUMBER

THIS DRAWING IS A CONTROLLED DOCUMENT FOR TYCO ELECTRONICS CORPORATION. IT IS SUBJECT TO CHANGE AND THE CONTROLLING ENGINEERING ORGANIZATION SHOULD BE CONTACTED FOR THE LATEST REVISION.		DWN P. COLLINS 04 JUN 97	Tyco Electronics Harrisburg, PA 17105-3608
DIMENSIONS: mm		CHK D. STILLIE 04 JUN 97	
TOLERANCES UNLESS OTHERWISE SPECIFIED:		APVD S. KROEGER 04 JUN 97	NAME PLUG HOUSING, 6 POSITION, .040 SERIES, MULTI-LOCK I/O CONNECTOR
0 PLC ±0.25		PRODUCT SPEC -	SIZE A2
1 PLC ±0.15		APPLICATION SPEC -	CAGE CODE 00779
2 PLC ±0.10		WEIGHT -	DRAWING NO. C-638100
3 PLC ±		CUSTOMER DRAWING	RESTRICTED TO -
4 PLC ±		SCALE 4:1	SHEET 1 OF 1
ANGLES ±°			REV E
FINISH -			

638100