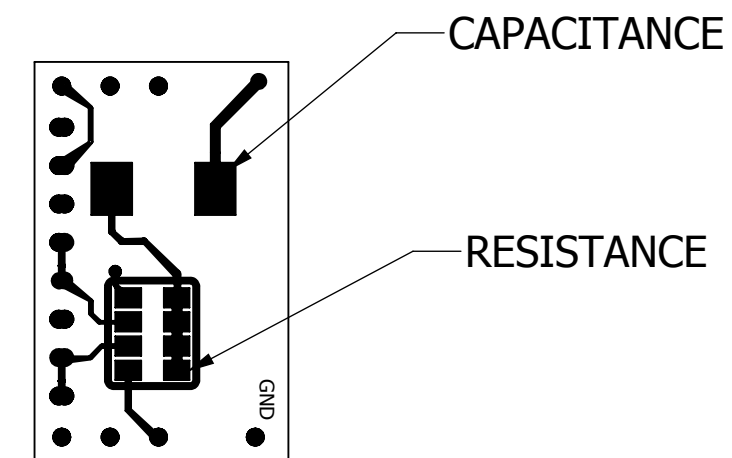
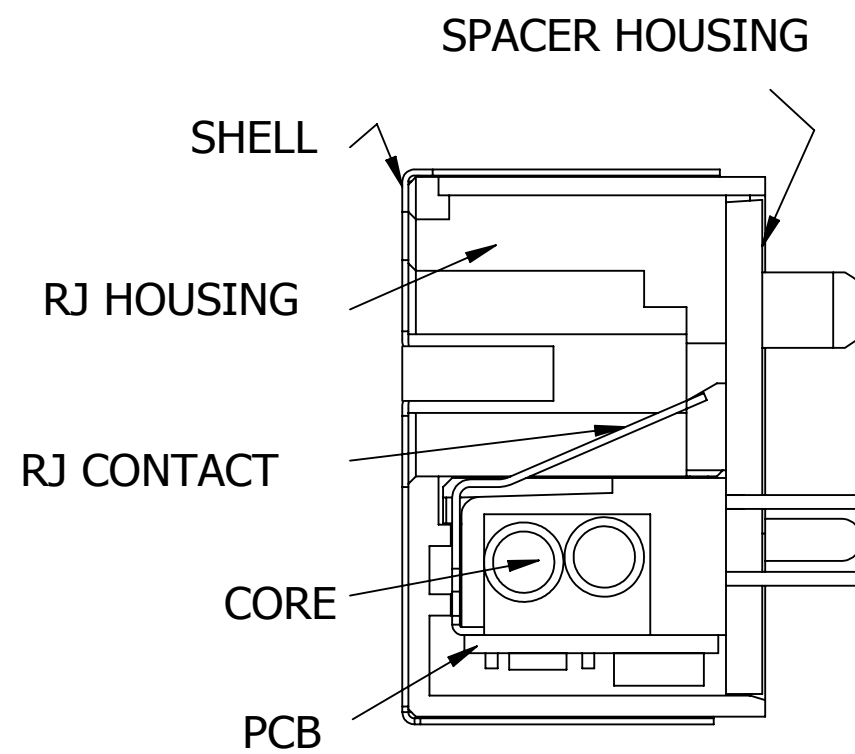
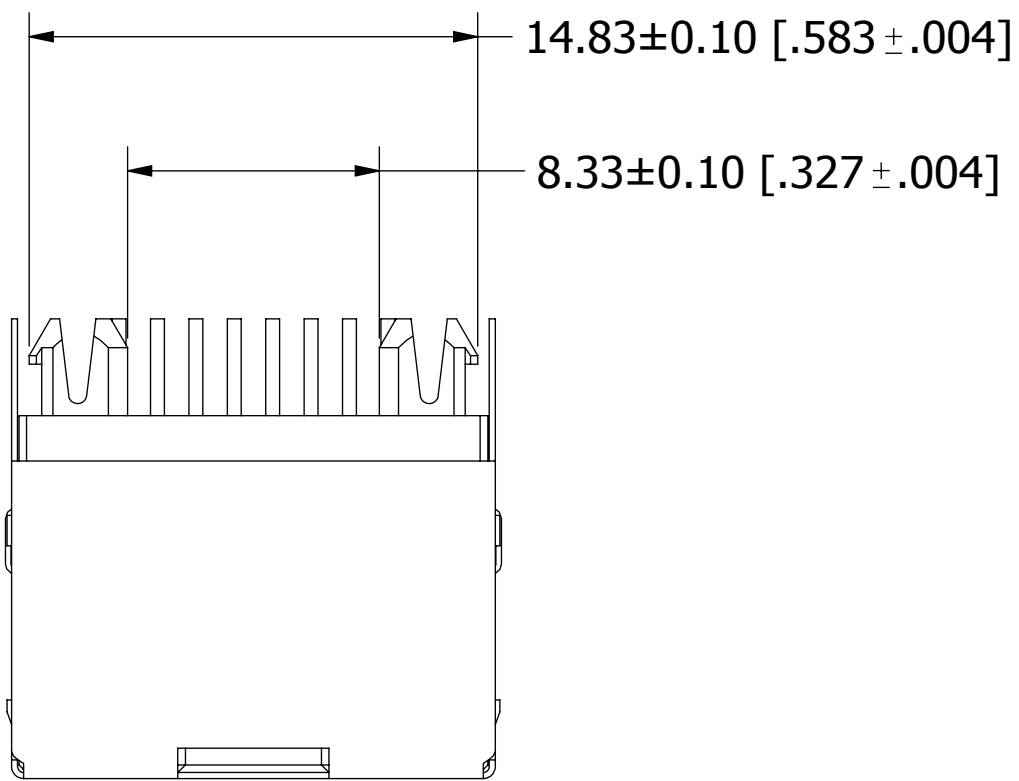
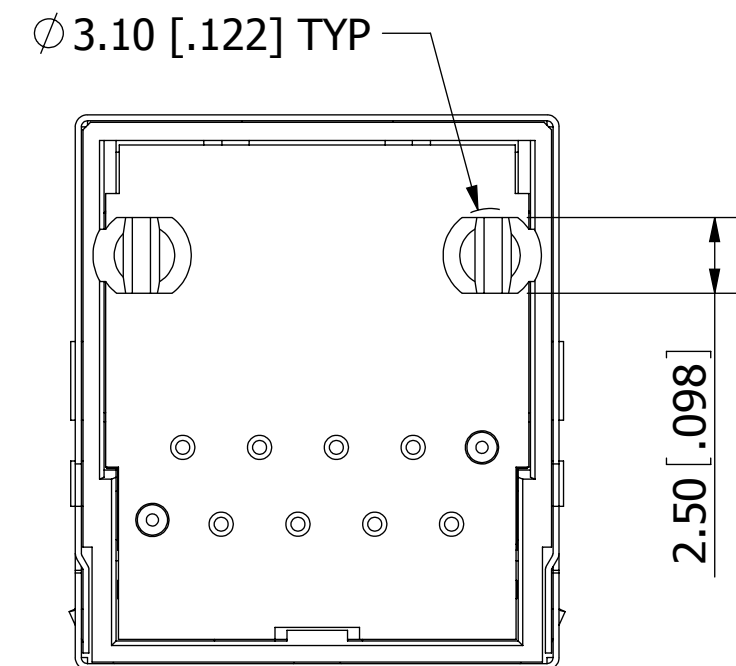
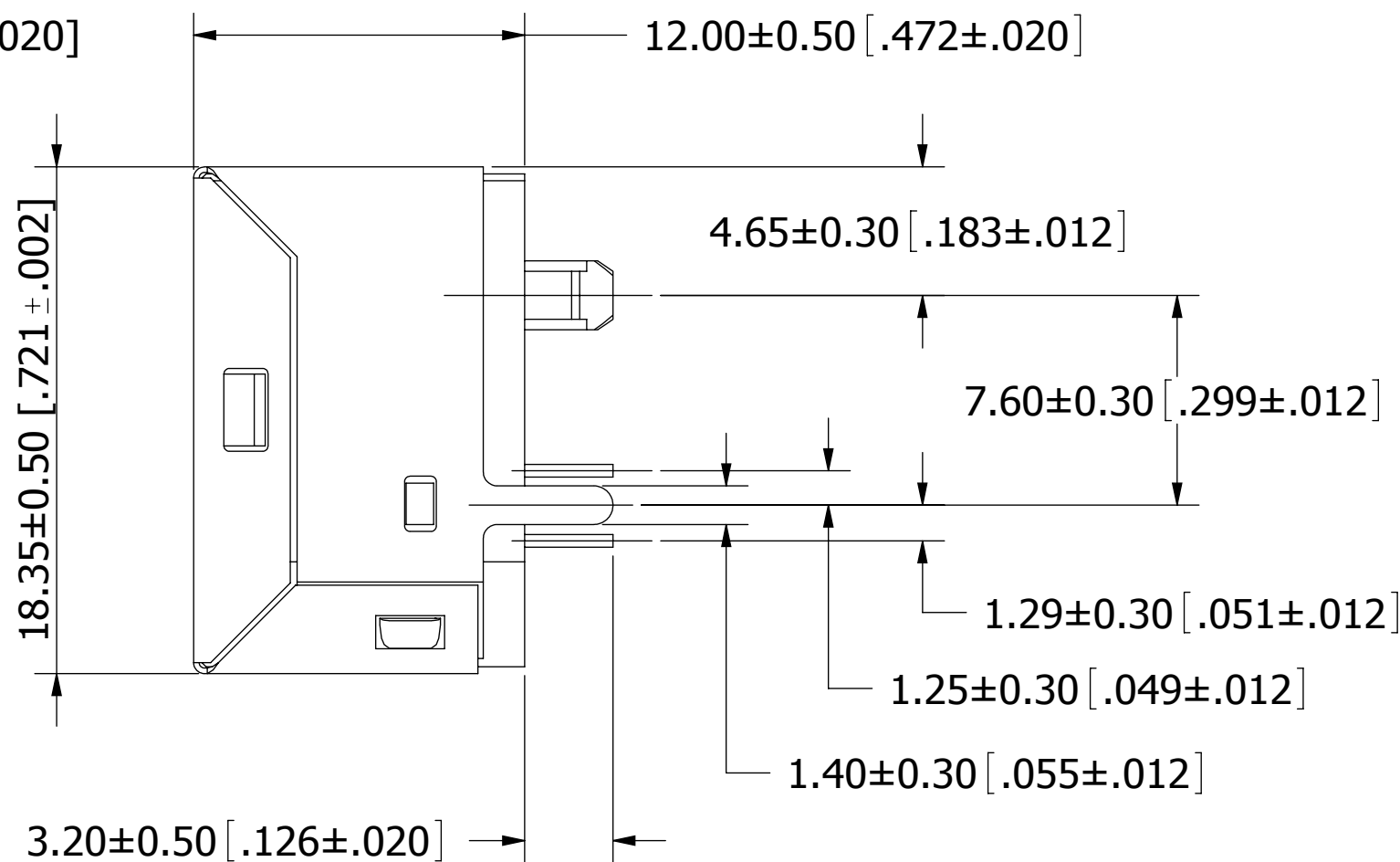
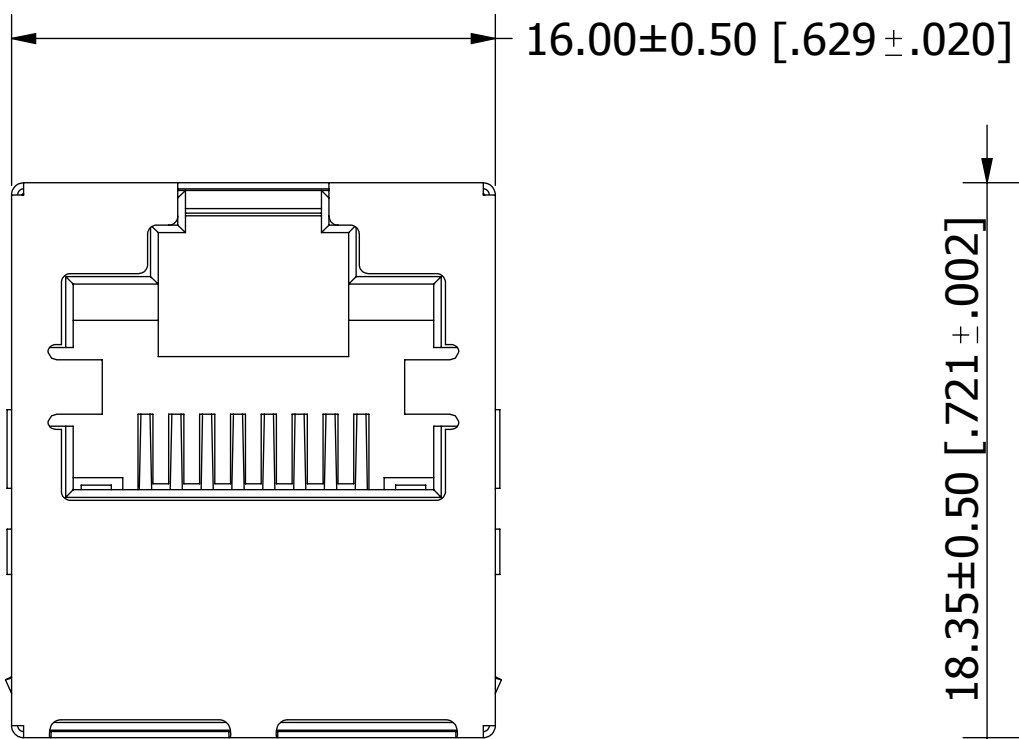


| REVISIONS |         |  |            |    |
|-----------|---------|--|------------|----|
| REV.      | ECO. NO | DESCRIPTION  | DATE       | BY |
| A         | 2406    | INITIAL RELEASE  | 08/02/2011 | LH |
| B         | 2604    | UPDATE FRONT & RIGHT VIEWS DIM. TOLERANCES AND SCHEMATIC TD- 2 (WAS RD- 2) | 05/31/2012 | LH |

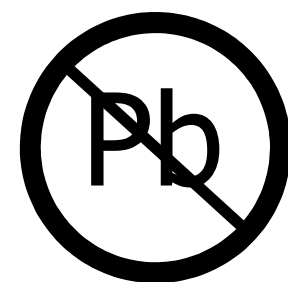


**PCB LAYOUT**



**NOTES:**

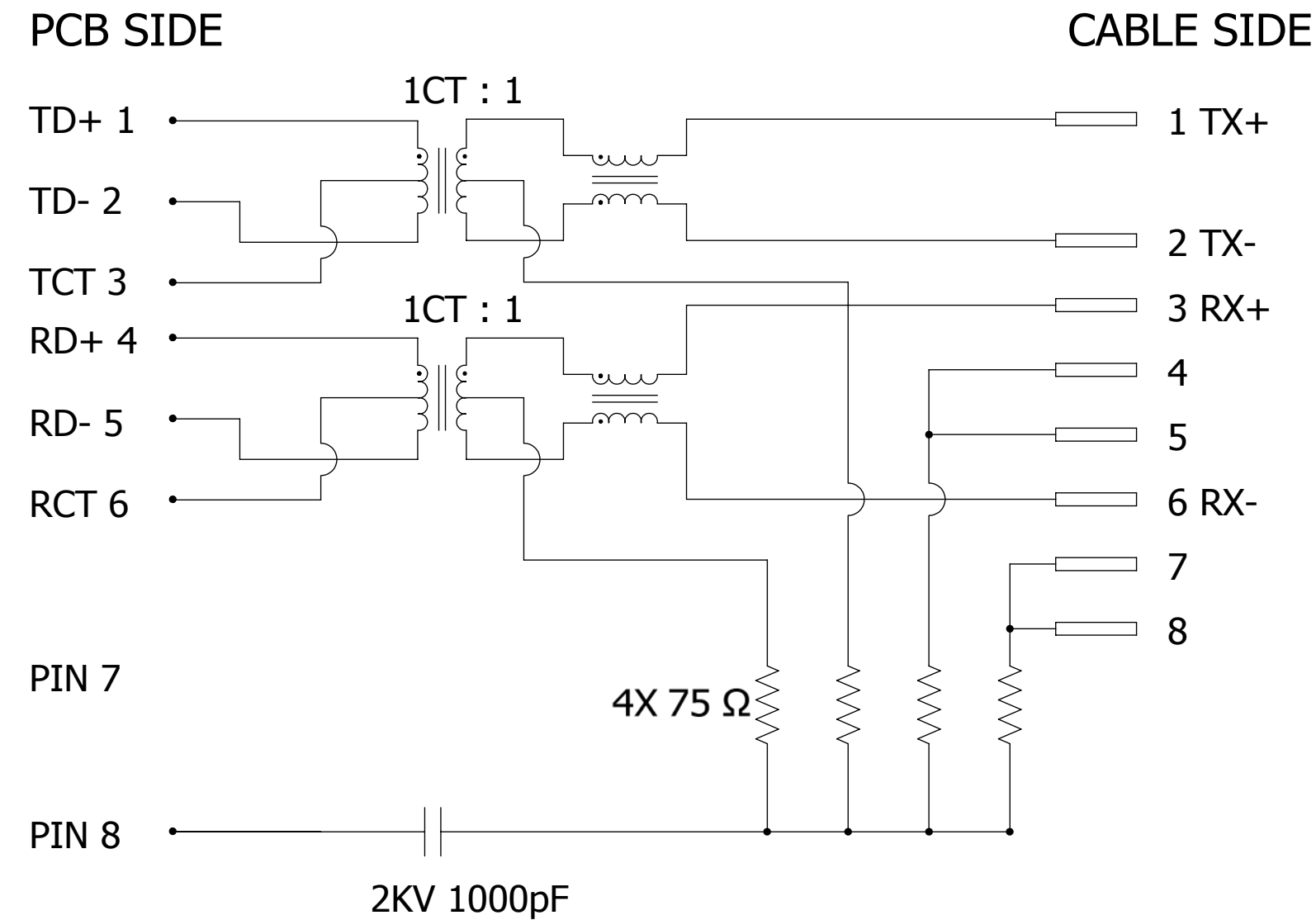
- MATERIAL:**  
 PLASTIC HOUSING:  
 RJ HOUSING: PBT, UL 94 V-0, BLACK  
 SPACER HOUSING: PA46, UL 94 V-0, BLACK  
 TRANSFORMER HOUSING: PHENOLIC, UL 94 V-0, BLACK  
 TERMINALS:  
 RJ CONTACTS: 0.25mm THICKNESS, PHOSPHOR BRONZE C5191H  
 RJ SOLDER PIN: Ø0.46mm, PHOSPHOR BRONZE C5191H  
 SHIELDS:  
 SHELL: 0.2mm THICKNESS, BRASS C2680H  
 PCB: FR-4 TWO LAYER PCB
- PLATING**  
 RJ CONTACT: .000050" MIN NICKEL UNDERPLATED, .000006" GOLD FLASH ON CONTACT SURFACE, .000050" MIN TIN ON TERMINATION.  
 RJ SOLDER PIN: .000030" MIN NICKEL UNDERPLATED, .000050" MIN TIN OVERALL  
 SHELL: .000030" MIN NICKEL OVERALL, PRE-SOLDERING ON GROUND LEGS
- RoHS COMPLIANCE PER EU DIRECTIVE 2002/95/EC**
- OPERATING TEMPERATURE RANGE: 0°C TO +70°C**



**RoHS COMPLIANT**

|  |  |              |      |  |
|--|--|--------------|------|--|
| UNLESS OTHERWISE SPECIFIED:<br>DIMENSIONS ARE IN MM[INCHES]  | DRAWN  | DATE         | NAME |  |
|  |  | 08/02/2011   | LH   |  |
| TOLERANCES:<br><br>ANGULAR:<br><br>DECIMALS:<br>X±.25 [.01]<br>.XX±.15 [.006]<br>.XXX±.100 [.0040] | THE INFORMATION HEREIN CONTAINS PROPRIETARY INFORMATION OF SULLINS ELECTRONICS AND IS NOT TO BE REPRODUCED, USED OR DISCLOSED TO OTHERS FOR ANY PURPOSE EXCEPT AS SPECIFICALLY AUTHORIZED IN WRITING BY AN OFFICER OF SULLINS ELECTRONICS. |              |      | TITLE                                    |
|  |  |              |      | LOW PROFILE VERTICAL RJ 45 10/100 BASE-T |
| PART NUMBER  |  |              |      | SMJ103-T88I-DS-11                        |
| SIZE   | CAGE CODE  | DWG. NO.     | REV  |  |
| C  | 54453  | 11824        | B    |  |
| SCALE: 4:1   |  | SHEET 1 OF 2 |      |  |

# SCHEMATIC:

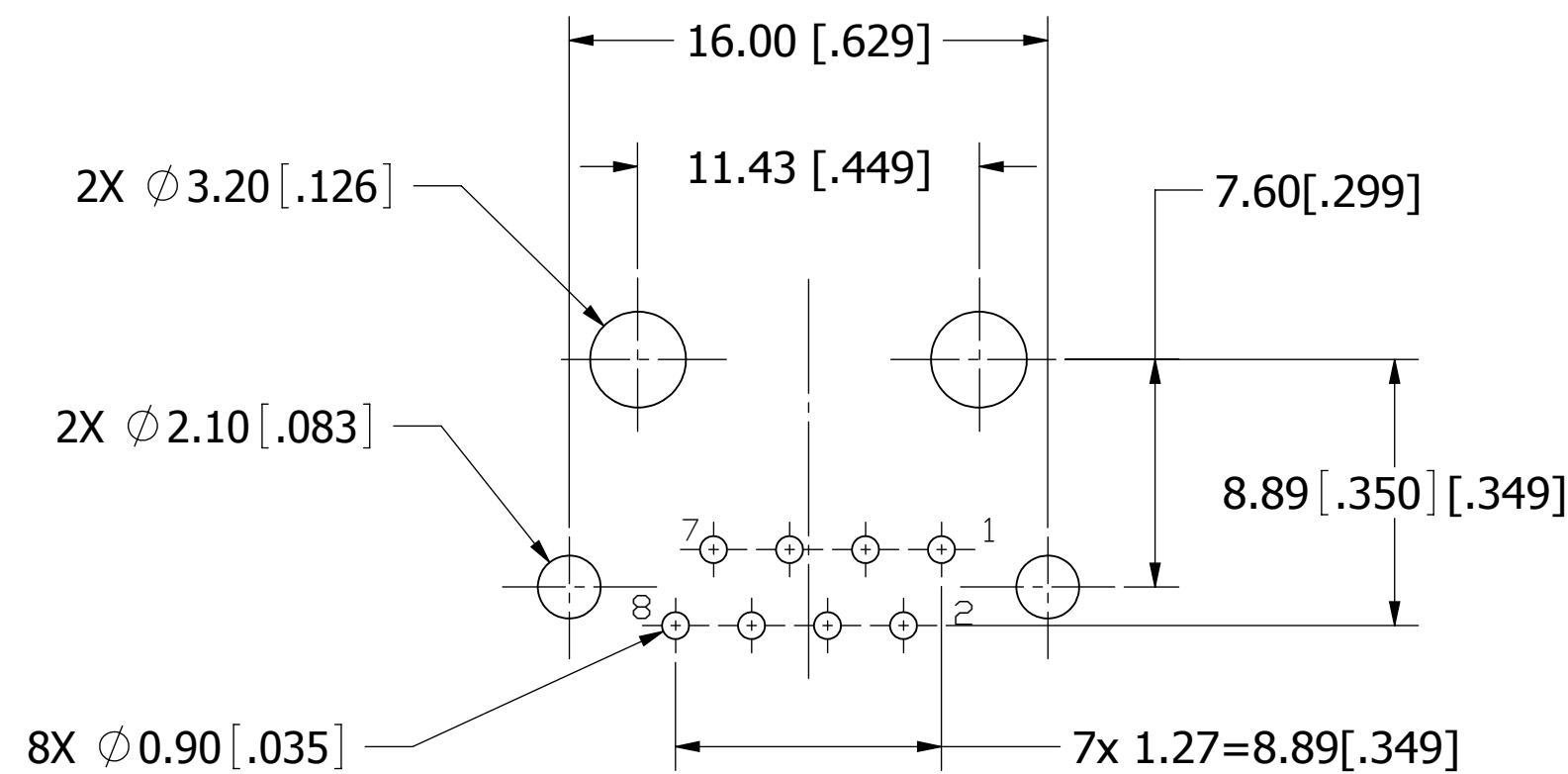


## ELECTRICAL PROPERTIES

1. TRANSMITTER & RECEIVER FILTER:

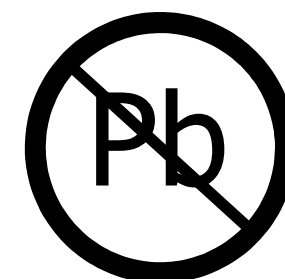
| INSERTION LOSS<br>(dB MAX) | RETURN LOSS AT 100 Ω<br>(dB MAX) |         |          |          |
|----------------------------|----------------------------------|---------|----------|----------|
|                            | 1~100MHz                         | 1~30MHz | 30~60MHz | 60~80MHz |
| -1.0                       | -18                              | -16     | -12      |          |

- 2. COMMON MODE REJECTION @ 1~100 MHz: -30dB MIN
- 3. CROSS TALK @ 1~100 MHz: -35dB MIN
- 4. INDUCTANCE @ 100KHz/ 0.1V, 8mA DC BIAS: 350uH MIN
- 5. HIPOT TEST: 1500Vrms, 60 SEC



## RECOMMENDED P.C.B LAYOUT

TOLERANCE: ±0.05 [.002]



RoHS COMPLIANT

|  |   |            |              |  |
|--|---|------------|--------------|--|
| UNLESS OTHERWISE SPECIFIED:<br>DIMENSIONS ARE IN MM[INCHES]  | DRAWN   | DATE       | NAME         |  |
|  |   | 08/02/2011 | LH           |  |
| TOLERANCES:<br><br>ANGULAR:<br><br>DECIMALS:<br>.X=±.25 [.01]<br>.XX=±.15 [.006]<br>.XXX=±.100 [.0040] | <small>THE INFORMATION HEREIN CONTAINS PROPRIETARY INFORMATION OF SULLINS ELECTRONICS AND IS NOT TO BE REPRODUCED, USED OR DISCLOSED TO OTHERS FOR ANY PURPOSE EXCEPT AS SPECIFICALLY AUTHORIZED IN WRITING BY AN OFFICER OF SULLINS ELECTRONICS.</small> |            |              | TITLE                                    |
|  |   |            |              | LOW PROFILE VERTICAL RJ 45 10/100 BASE-T |
| PART NUMBER  |   |            |              | SMJ103-T88I-DS-11                        |
| SIZE   | CAGE CODE   | DWG. NO.   | REV          |  |
| C  | 54453   | 11824      | B            |  |
| SCALE: 4:1   |   |            | SHEET 2 OF 2 |  |