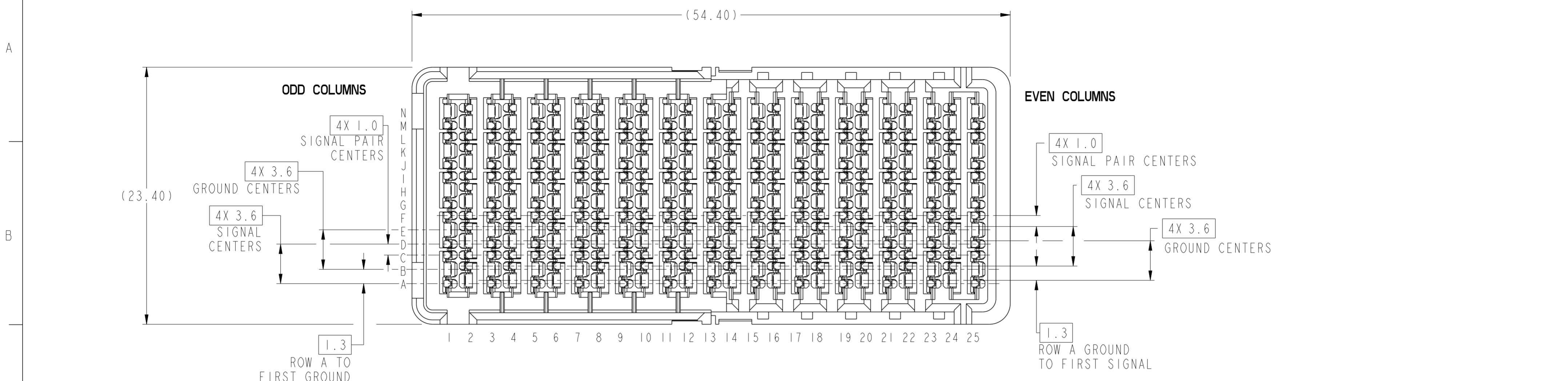
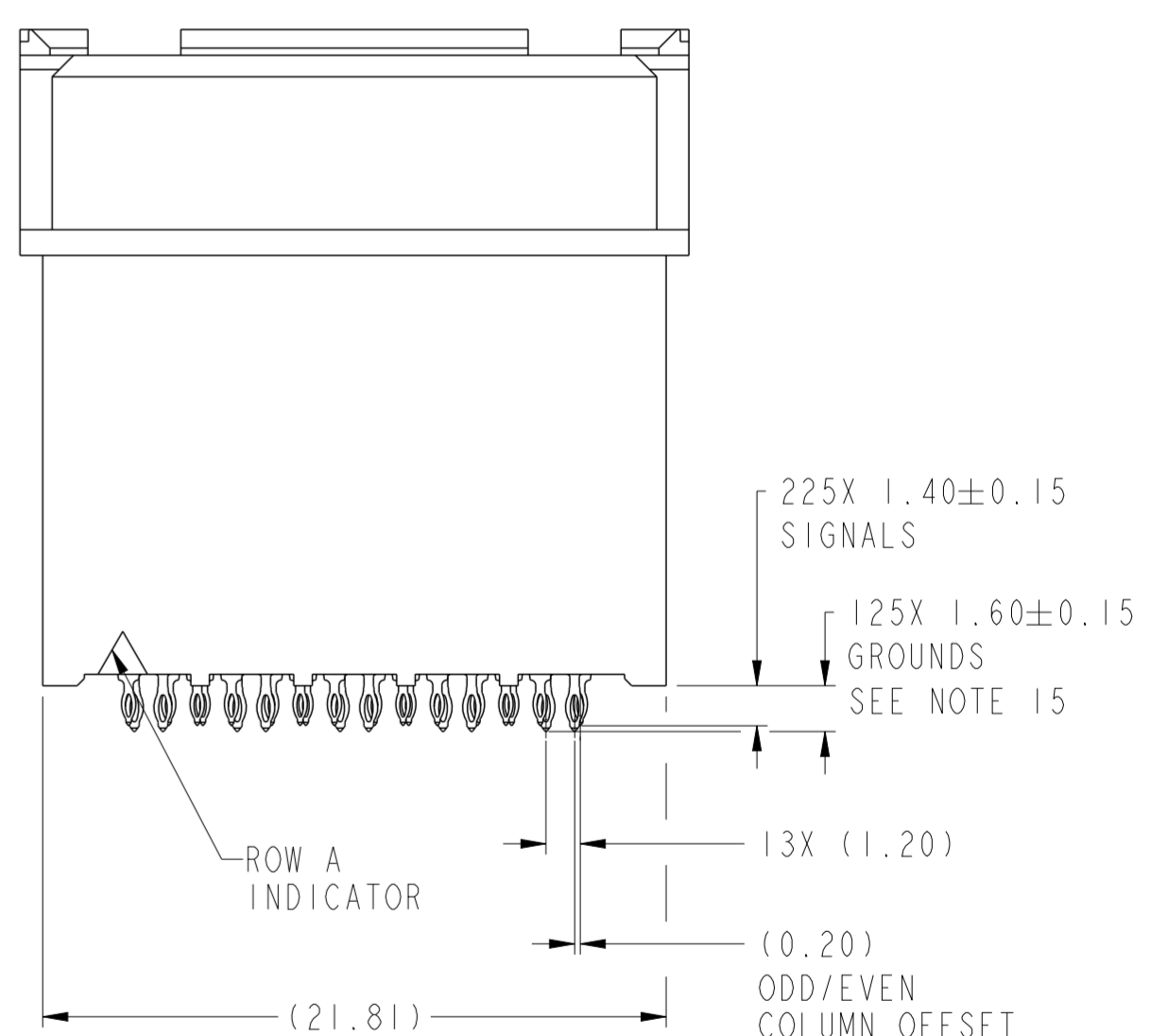
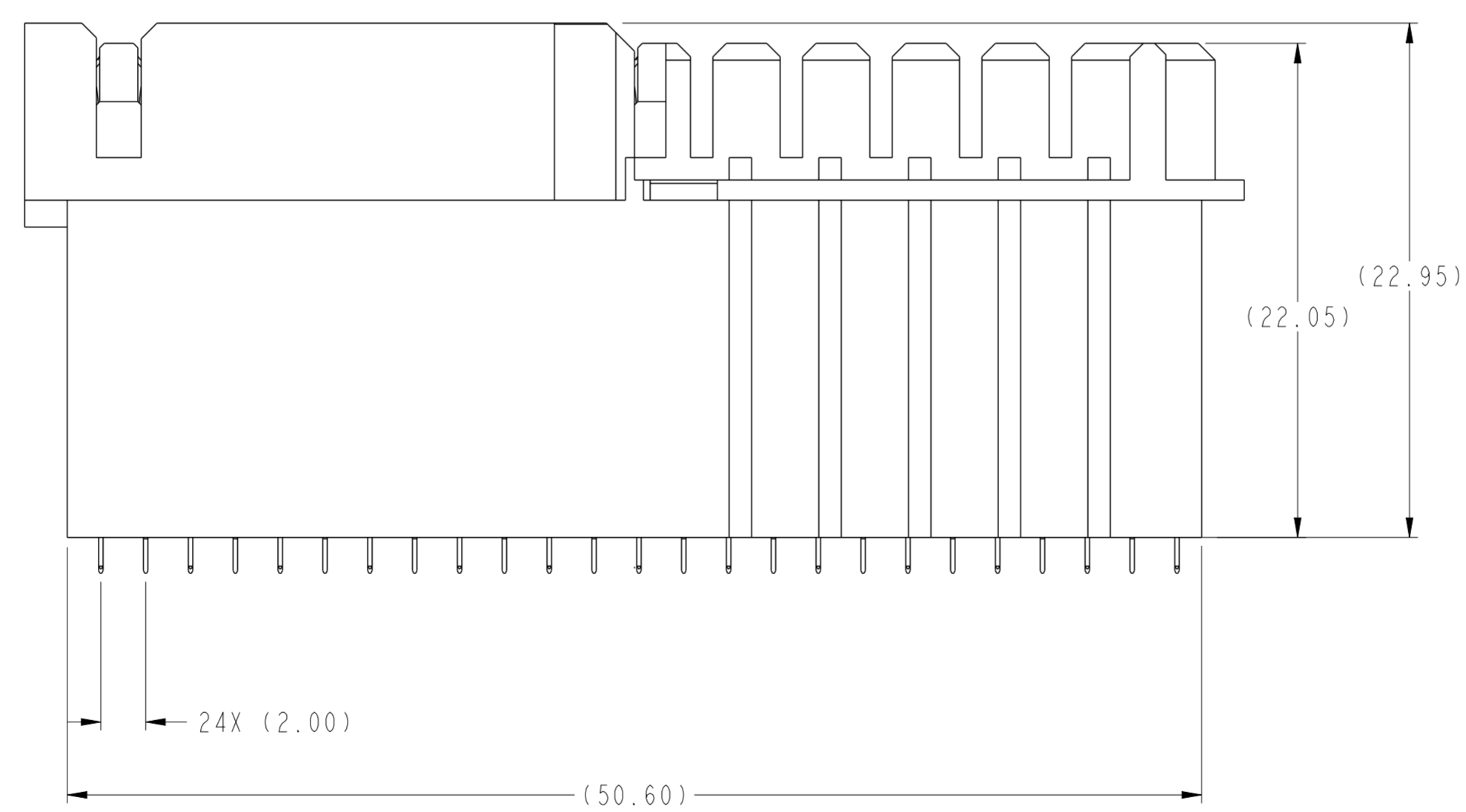
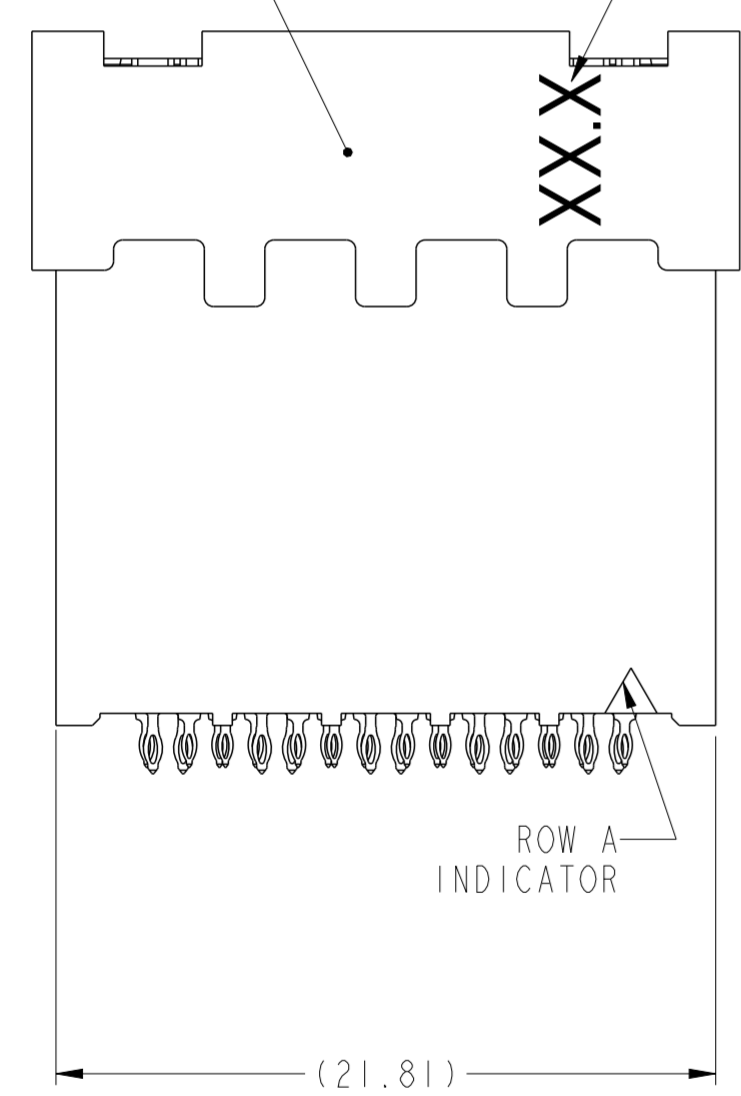


PRODUCT NUMBER SEE TABLE ON LAST SHEET



SEE NOTE 5 SEE NOTE 11



Amphenol FCI

© 2016 AFCI

spec ref	SEE NOTES	dr	Shu Chen	2014/08/14	projection	mm	size	A2	scale	4:1										
tolerance std	TOLERANCES UNLESS OTHERWISE SPECIFIED	eng	David Guo	2018/05/22		mm	ecn no	ELX-DG-30247-1	rel level	Released										
ASME Y14.5M		chr	Justin Chen	2018/05/24																
		appr	Heaven Cen	2018/05/29																
surface	<table border="1"> <tr> <td>linear</td> <td>0.X</td> <td>±0.3</td> </tr> <tr> <td></td> <td>0.XX</td> <td>±0.10</td> </tr> <tr> <td></td> <td>0.XXX</td> <td>±0.05</td> </tr> <tr> <td>angular</td> <td>0°</td> <td>±2°</td> </tr> </table>	linear	0.X	±0.3		0.XX	±0.10		0.XXX	±0.05	angular	0°	±2°			Amphenol FCI TITLE ExaMEZZ CONNECTOR ASSEMBLY HERMAPHRODITIC, 4 PAIR, 25 IMLA		product family ExaMEZZ	rel level Released	sheet 1 of 5
linear	0.X	±0.3																		
	0.XX	±0.10																		
	0.XXX	±0.05																		
angular	0°	±2°																		
		cat. no.	Product - Customer Drw		title no 10128494	rev B														

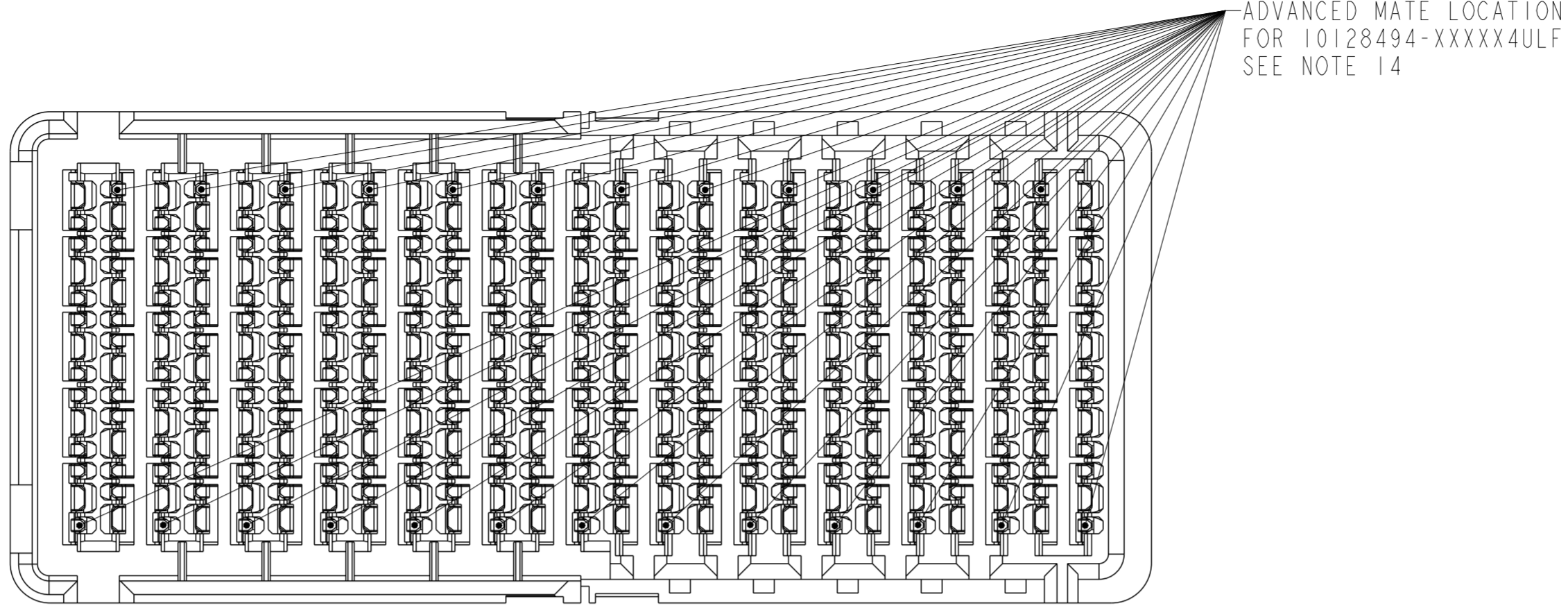
PDS: Rev :B

STATUS:Released

Printed: Jul 05, 2018

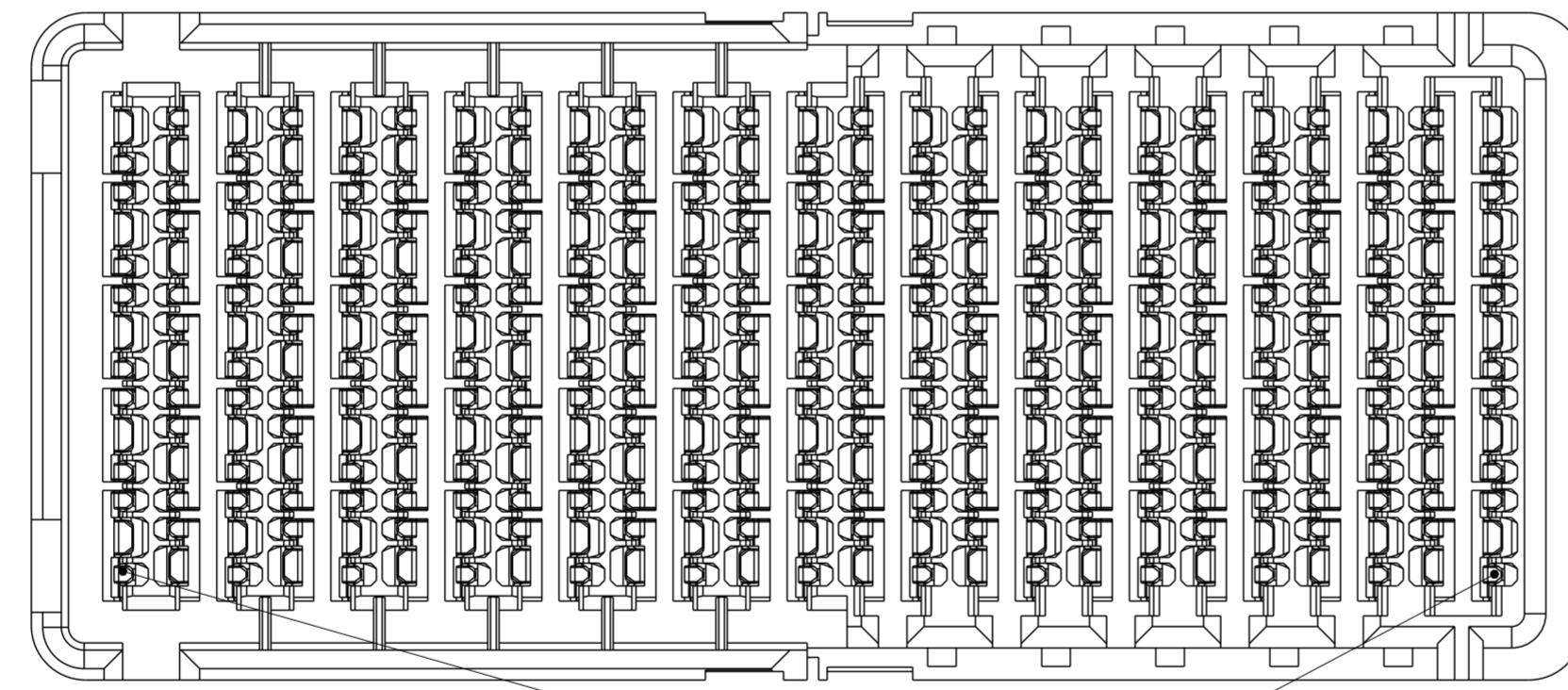
1 2 3 4 5 6 7 8

A B C D E F



ADVANCED MATE LOCATION
FOR 10128494-XXXXX4ULF
SEE NOTE 14

ADVANCED MATE LAYOUT
FOR 10128494-XXXXX4ULF



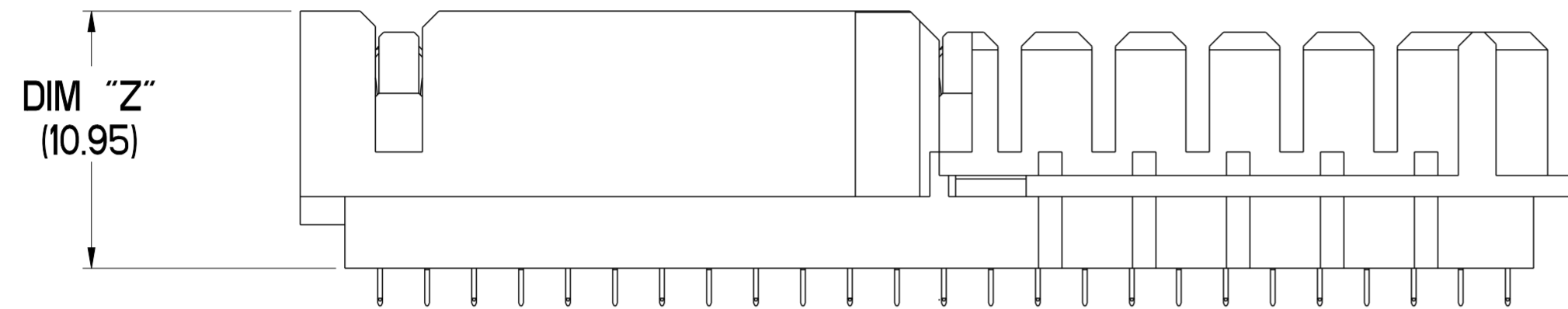
STANDARD SHORT DETECT LOCATION
FOR 10128494-XXXXX1ULF
SEE NOTE 13

STANDARD SHORT DETECT LAYOUT
FOR 10128494-XXXXX1ULF

Amphenol
FCi

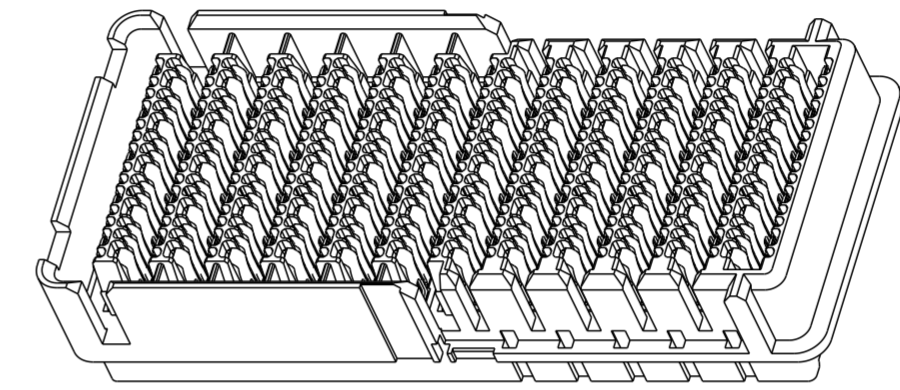
© 2016 APCI

spec ref	SEE NOTES	dr	Shu Chen	2014/08/14	projection	mm	size	A2	scale	4:1
tolerance std	TOLERANCES UNLESS OTHERWISE SPECIFIED	eng	David Guo	2018/05/22			ecn no	ELX-DG-30247-1		
ISO 406		chr	Justin Chen	2018/05/24			rel level	Released		
ISO 1101		appr	Heaven Cen	2018/05/29			product family	ExaMEZZ		
surface	linear	0.X	±0.3		title ExaMEZZ CONNECTOR ASSEMBLY HERMAPHRODITIC, 4 PAIR, 25 IMLA	dwg no 10128494	rev B	cat. no. - Product - Customer Drw sheet 2 of 5		
		0.XX	±0.10							
		0.XXX	±0.05							
	angular	0°	±2°							

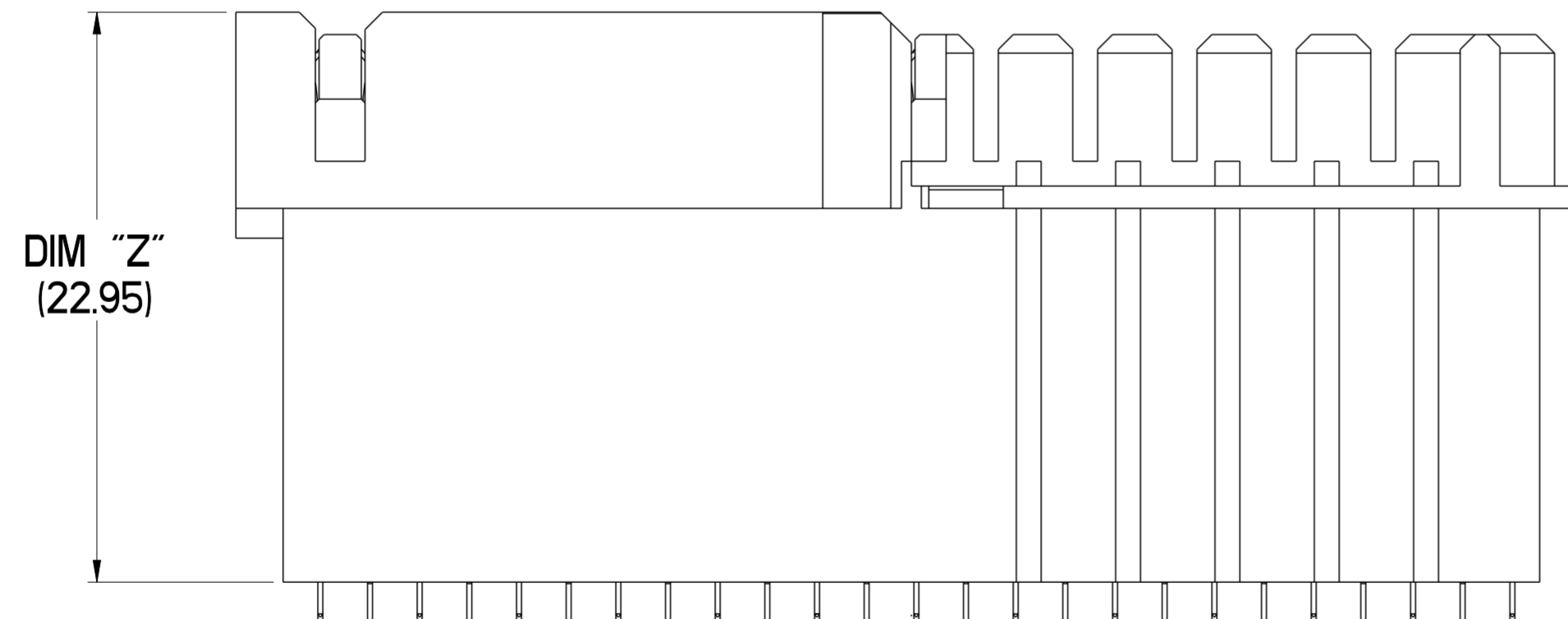


DIM "Z"
(10.95)

7.5mm HALF STACK HEIGHT
10128494-107500ULF SHOWN
SCALE 4:1

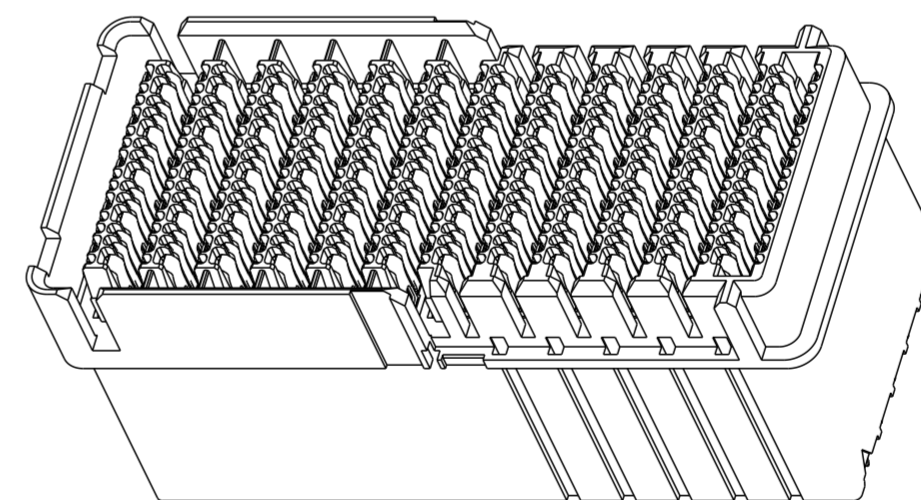


SCALE 2:1



DIM "Z"
(22.95)

19.5mm HALF STACK HEIGHT
10128494-119500ULF SHOWN
SCALE 4:1



SCALE 2:1

Amphenol
FCi

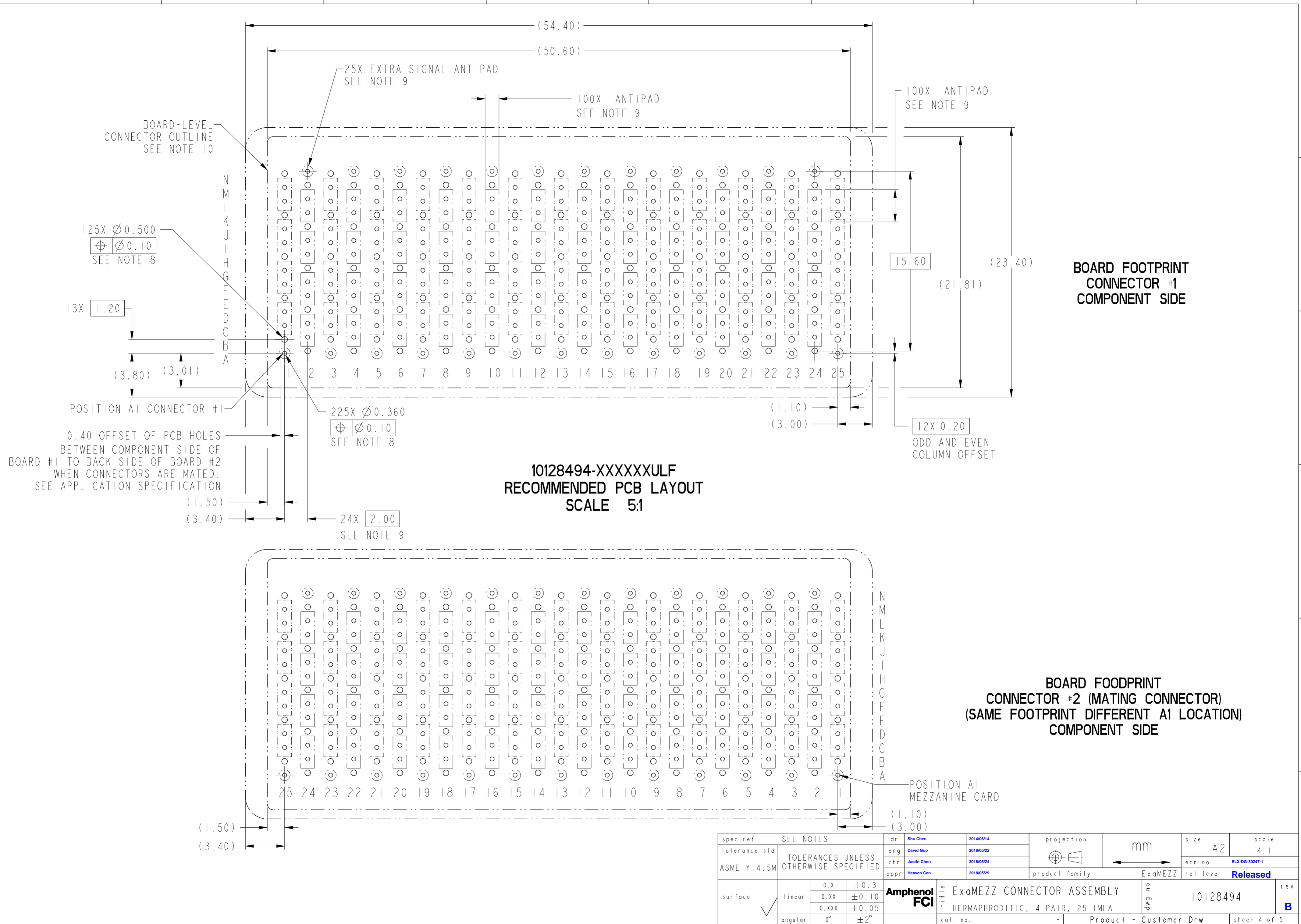
© 2016 APCI

spec ref	SEE NOTES	dr	Shu Chen	2014/08/14	projection	mm	size	A2	scale	2:1	
tolerance std	TOLERANCES UNLESS OTHERWISE SPECIFIED	eng	David Guo	2018/05/22			ecn no	ELX-DG-30247-1			
ISO 406		chr	Justin Chen	2018/05/24			rel level	Released			
ISO 1101		appr	Heaven Cen	2018/05/29	product family						
surface	linear	0.X	±0.3		title		ExaMEZZ CONNECTOR ASSEMBLY HERMAPHRODITIC, 4 PAIR, 25 IMLA	dwg no 10128494	rev B		
<input checked="" type="checkbox"/>		0.XX	±0.10		cat. no.	Product - Customer Drw				sheet 3 of 5	
		0.XXX	±0.05								
	angular	0°	±2°								

PDS: Rev :B

STATUS:Released

Printed: Jul 05, 2018



**10128494-XXXXXXULF
RECOMMENDED PCB LAYOUT
SCALE 5:1**

**BOARD FOOTPRINT
CONNECTOR #1
COMPONENT SIDE**

**BOARD FOOTPRINT
CONNECTOR #2 (MATING CONNECTOR)
(SAME FOOTPRINT DIFFERENT A1 LOCATION)
COMPONENT SIDE**

spec ref	SEE NOTES	dr	Shu Chen	2014/08/14	projection	mm	size	A2	scale	4:1									
tolerance std	TOLERANCES UNLESS OTHERWISE SPECIFIED	eng	David Guo	2018/05/22		mm	ecn no	ELX-DG-30247-1	rel level	Released									
ASME Y14.5M		chr	Justin Chen	2018/05/24															
		appr	Heaven Cen	2018/05/29															
surface	<table border="1"> <tr> <td>linear</td> <td>0.X</td> <td>±0.3</td> </tr> <tr> <td></td> <td>0.XX</td> <td>±0.10</td> </tr> <tr> <td></td> <td>0.XXX</td> <td>±0.05</td> </tr> <tr> <td>angular</td> <td>0°</td> <td>±2°</td> </tr> </table>	linear	0.X	±0.3		0.XX	±0.10		0.XXX	±0.05	angular	0°	±2°	product family	ExaMEZZ	product	ExaMEZZ	rel level	Released
linear	0.X	±0.3																	
	0.XX	±0.10																	
	0.XXX	±0.05																	
angular	0°	±2°																	
	<p>Amphenol FCI</p>	title	ExaMEZZ CONNECTOR ASSEMBLY		cat. no.	Product - Customer Drw	sheet 4 of 5												
		part no.	HERMAPHRODITIC, 4 PAIR, 25 IMLA		dwg no	10128494	rev	B											

- 1 - CONNECTOR MATERIALS:
HOUSING: HIGH TEMP THERMOPLASTIC, NATURAL, UL94-V0
IMLA PLASTIC: HIGH TEMP THERMOPLASTIC, BLACK, UL94-V0
CONTACT: COPPER ALLOY
- 2 - CONTACT PLATING:
SEPARABLE INTERFACE:
PERFORMANCE-BASED PLATING, QUALIFIED TO MEET THE
REQUIREMENTS OF FCI PRODUCT SPECIFICATION GS-12-1150
INCLUDING TELCORDIA GR-1217-CORE (NOVEMBER 1995)
CENTRAL OFFICE TEST SEQUENCE.

PRESS-FIT TAILS:
TIN OVER NICKEL (LEAD-FREE)
- 3 - PRODUCT SPECIFICATION: GS-12-1150
- 4 - APPLICATION SPECIFICATION: GS-20-0373
- 5 - PRODUCT MARKING (PART NUMBER & LOT CODE) ON THIS SURFACE.
- 6 - LEAD FREE PRODUCT MEETS THE EUROPEAN UNION DIRECTIVES &
OTHER COUNTRY REGULATIONS AS DESCRIBED IN GS-47-0004.
- 7 - PACKAGING MEETS GS-14-920 LEAD FREE LABELING
SPECIFICATION.
- 8 - REFER TO CUSTOMER DRAWING 10119933 FOR INFORMATION
ON PCB HOLE DIAMETERS AND PLATING OPTIONS
- 9 - REFER TO ROUTING GUIDE GS-20-0511 FOR RECOMMENDATIONS ON OPTIMIZATION OF FOOTPRINT
AND TRACE ROUTING LAYOUT
- 10 - CONNECTOR OUTLINE MAY BE SCREEN PRINTED ONTO CUSTOMER PCB TO BE USED AS A GUIDE
FOR MANUAL CONNECTOR PLACEMENT.
- 11 - PRODUCT STACK HEIGHT (EG. 19.5) LASER MARKED ON THIS SURFACE.
- 12 - THE HOUSING WILL WITHSTAND EXPOSURE TO 260 °C PEAK TEMPERATURE FOR 10-30 SECONDS
IN A CONVECTION, INFRA-RED, OR VAPOR PHASE REFLOW OVEN.
- 13 - THE SHORT DETECT CONNECTOR (WHEN MATED WITH A NON-SHORT DETECT
CONNECTOR) WILL PROVIDE CONTACTS THAT MATE 1.00mm AFTER THE REMAINDER
OF STANDARD LENGTH SIGNAL AND GROUND CONTACTS MATE. NEVER MATE A SHORT DETECT
CONNECTOR WITH ANOTHER SHORT DETECT CONNECTOR.
- 14 - THE ADVANCED MATE CONNECTOR WHEN MATED WITH AN ADVANCED MATE CONNECTOR, WILL PROVIDE
CONTACTS THAT MATE 0.75MM BEFORE THE REMAINDER OF THE SIGNAL AND GROUND CONTACTS MATE
- 15 - ALL GROUND CONTACTS WITHIN A COLUMN ARE COMMONED.

PRODUCT NUMBER	STACK HEIGHT EACH SIDE	DIM "Z"	SHORT DETECTS	ADVANCED MATE
10128494-107500ULF	7.5 mm	10.95	NO	NO
10128494-114400ULF	14.4 mm	17.85	NO	NO
10128494-119500ULF	19.5 mm	22.95	NO	NO
10128494-119501ULF	19.5 mm	22.95	YES	NO
10128494-119504ULF	19.5 mm	22.95	NO	YES-ALL COLUMNS

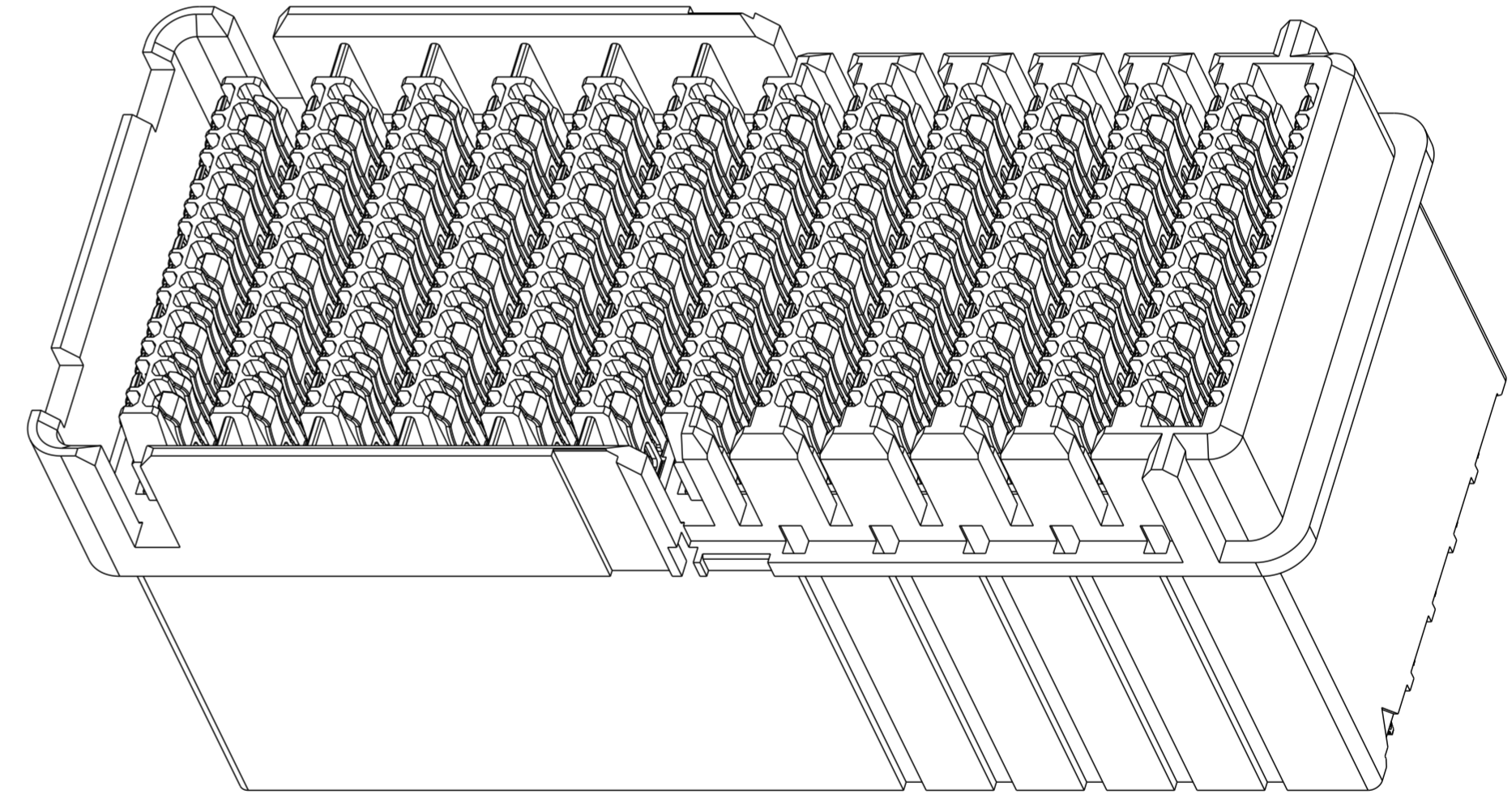
10128494-XXXXXXLF

PLATING
-I = STD PLATING

LEAD FREE
U = NO GUIDE PINS

EFFECTIVE CONNECTOR HEIGHT
PER MATING HALF 19.50 = 1950

SHORT DETECT LAYOUT
0 = NO SHORT DETECT AND NO ADVANCED MATE
1 = SHORT DETECT (STANDARD LOCATION
BOTTOM LEFT AND RIGHT SIDE)
4 = ADVANCED MATE SINGLE END ALL COLUMNS



spec ref	SEE NOTES	dr	Shu Chen	2014/08/14	projection	mm	size	A2	scale	4:1												
tolerance std	TOLERANCES UNLESS OTHERWISE SPECIFIED	eng	David Guo	2018/05/22			ecn no	ELX-DG-30247-1														
ASME Y14.5M		chr	Justin Chen	2018/05/24			rel level	Released														
surface	<table border="1"> <tr> <td>linear</td> <td>0.X</td> <td>±0.3</td> </tr> <tr> <td></td> <td>0.XX</td> <td>±0.10</td> </tr> <tr> <td></td> <td>0.XXX</td> <td>±0.05</td> </tr> <tr> <td>angular</td> <td>0°</td> <td>±2°</td> </tr> </table>	linear	0.X	±0.3		0.XX	±0.10		0.XXX	±0.05	angular	0°	±2°	appr	Heaven Cen	2018/05/29	product family	ExaMEZZ		rel level	Released	
linear	0.X	±0.3																				
	0.XX	±0.10																				
	0.XXX	±0.05																				
angular	0°	±2°																				
				title ExaMEZZ CONNECTOR ASSEMBLY HERMAPHRODITIC, 4 PAIR, 25 IMLA		cat. no. -	product - Customer Drw	sheet 5 of 5	rev B													