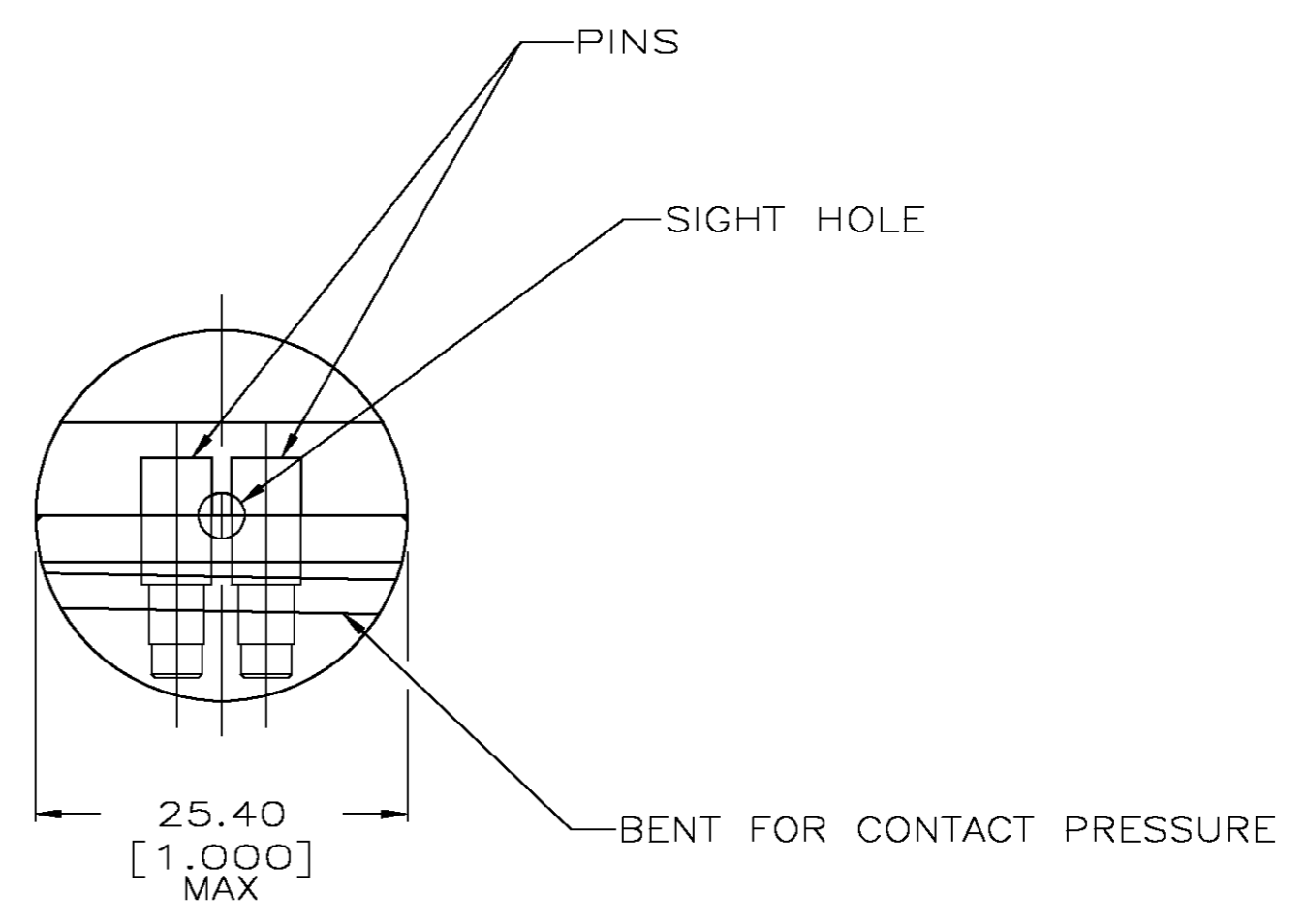
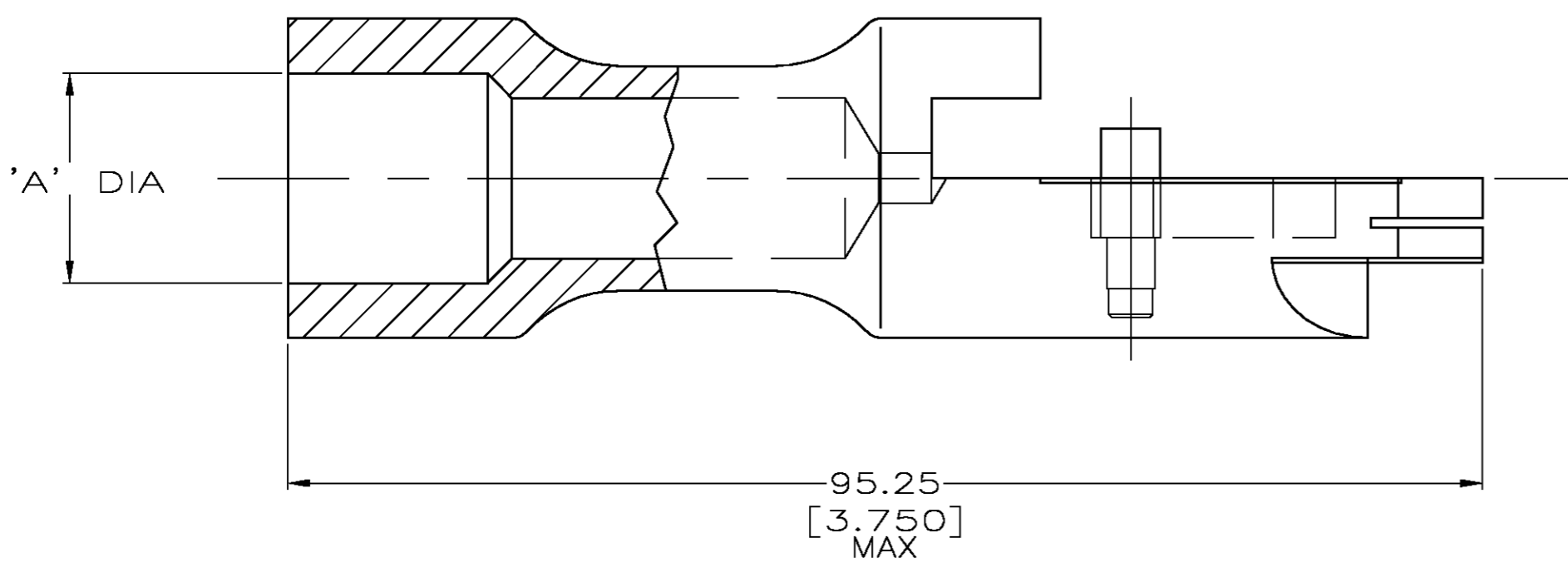
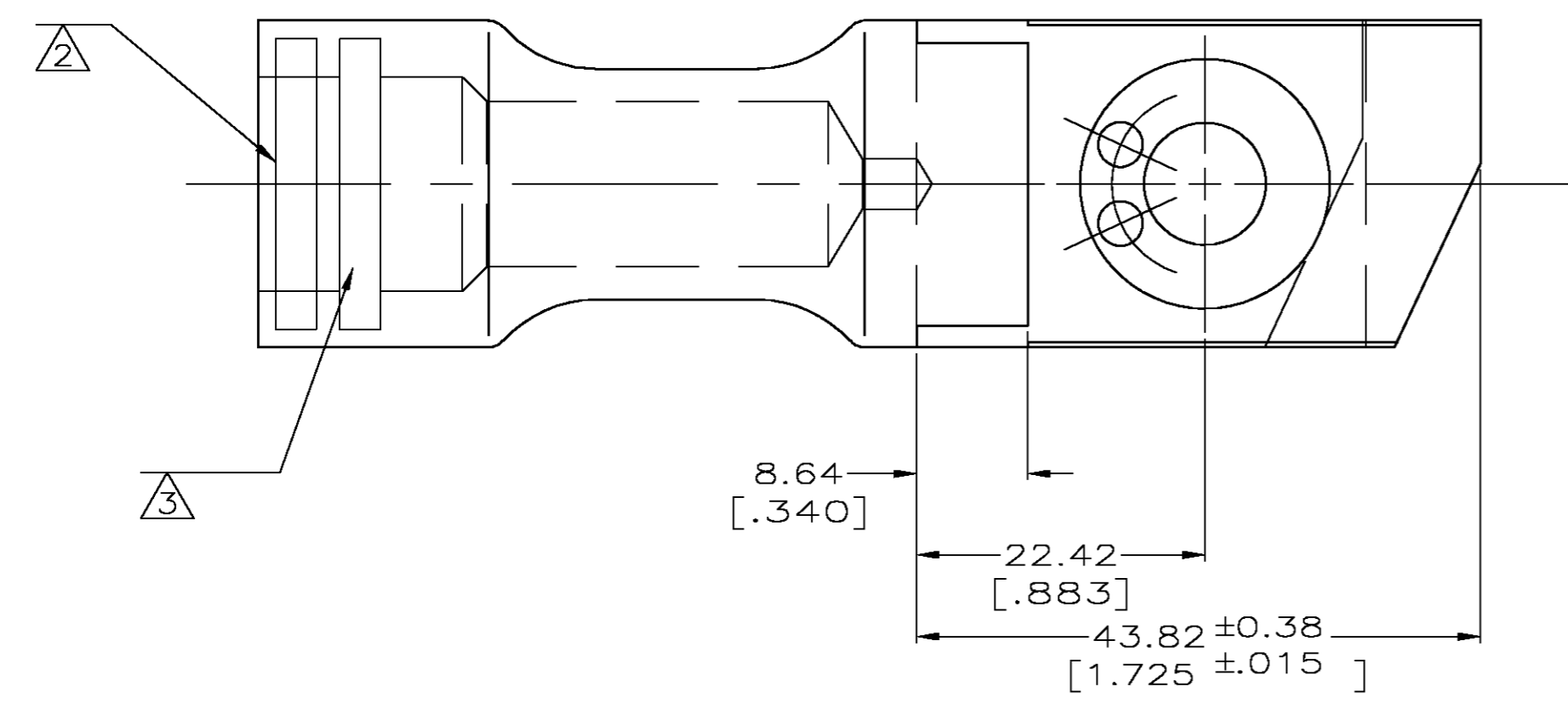


THIS DRAWING IS UNPUBLISHED. RELEASED FOR PUBLICATION  
 © COPYRIGHT BY TYCO ELECTRONICS CORPORATION. ALL RIGHTS RESERVED.

LOC		DIST		REVISIONS			
P	LTR	DESCRIPTION		DATE	DWN	APVD	
G	86	F		REV PER 0G3A-0604-04	29JUL04	JR	MS

- 1 SPECIAL WIRE SIZE 2/0.
- 2 STAMPING, SEE CHART
- 3 STAMPING, SEE CHART
- 4 FINISH: MIN SILVER PLATE PER QQ-S-365, SEE CHART FOR THK.
- 5 MATERIAL: BODY AND PINS, BRASS PER QQ-B-626
- 6 PRELIMINARY - NOT FOR PRODUCTION



OBSOLETE

W7077D80G15	3/0 A33	18.41 [.725]	0.0076 [.0003]	52596-9
W7077D80G14	2/0S A33	17.48 [.688]	0.0076 [.0003]	52596-8
W7077D80G10	3/0 A33	20.62 [.812]	0.0076 [.0003]	52596-6
-	AMP 3/0	18.27 [.719]	0.0025 [.0001]	52596-5
-	AMP 3/0	20.62 [.812]	0.0025 [.0001]	52596-1
3 STAMPING	2	'A'	FINISH 4	AMP PART NUMBER

THIS DRAWING IS A CONTROLLED DOCUMENT.		DWN	JR RUTH	22JUL99	 Tyco Electronics Corporation Harrisburg, Pa 17105-3608						
DIMENSIONS:		CHK	M SPICER	22JUL99							
TOLERANCES UNLESS OTHERWISE SPECIFIED:		APVD	M SPICER	22JUL99							
mm [INCHES]		PRODUCT SPEC	108-13014								
0 PLC ± - 1 PLC ± - 2 PLC ± 0.20[.008] 3 PLC ± - 4 PLC ± - ANGLES ± - FINISH		APPLICATION SPEC	-		NAME	TERMINAL ASSEMBLY, QUICK-DISCONNECT, AMPPOWER					
MATERIAL	- 5	WEIGHT	- lbs	SCALE	A2	CAGE CODE	00779	DRAWING NO	C=52596	RESTRICTED TO	-
CUSTOMER DRAWING		SCALE		2:1	SHEET		1	OF	1	REV	F