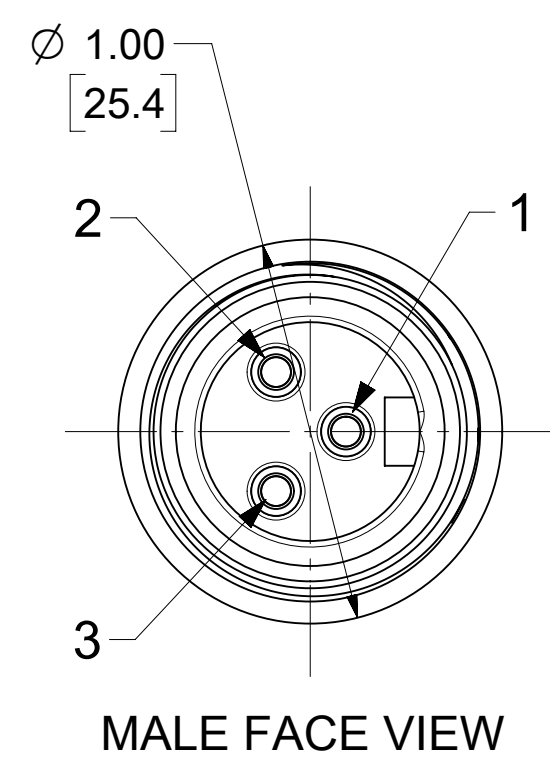
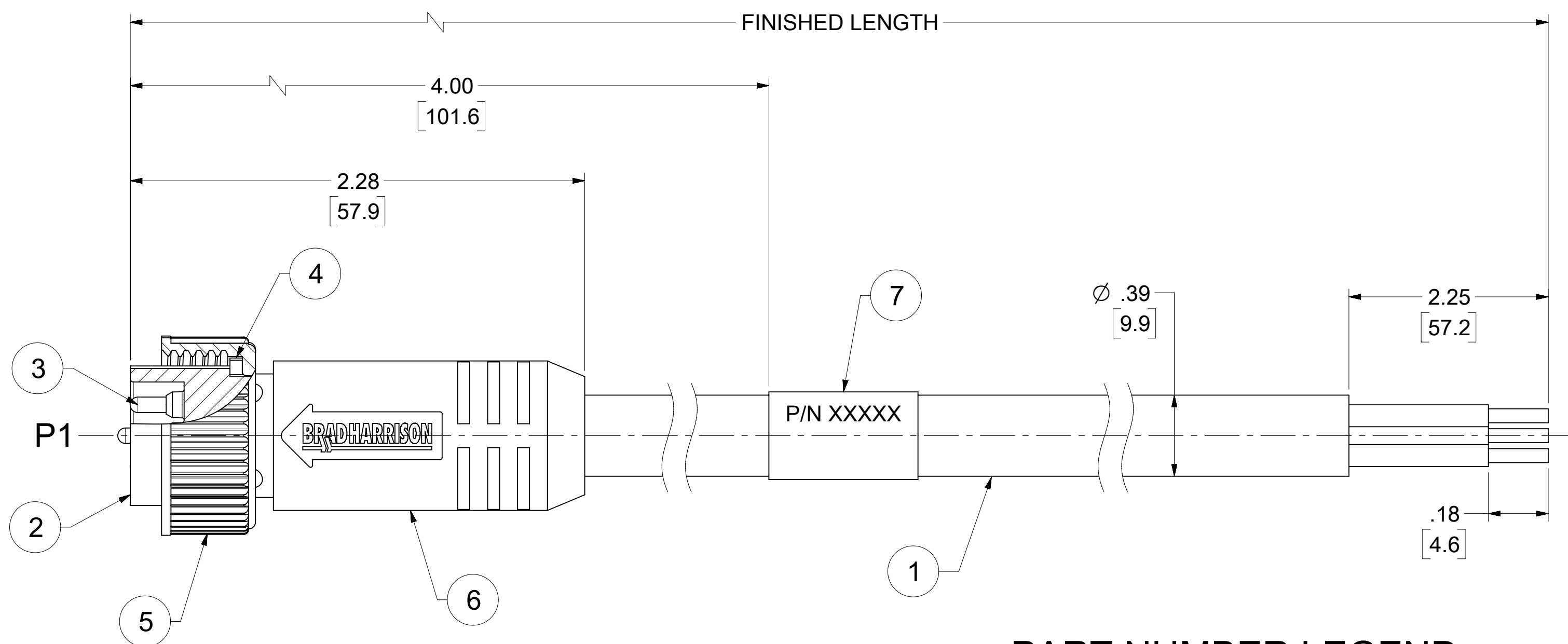
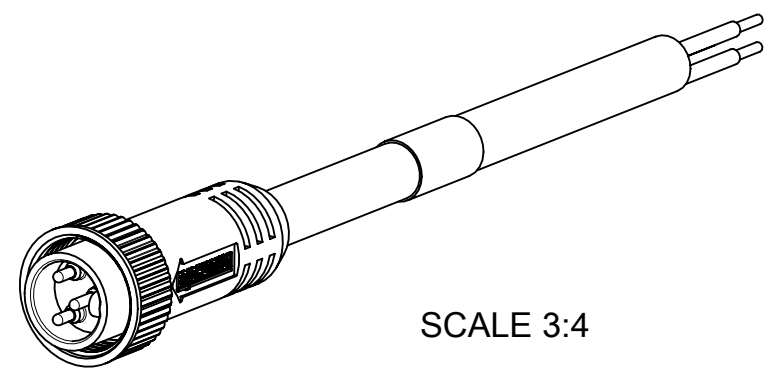


MATERIAL NO.	ENGINEERING NO.	FINISHED LENGTH
1300060529	103002A01F030	3 FT. (0.91 M)
1300060549	103002A01F200	20 FT. (6.10 M)
1300062597	103002A01F270	27 FT. (8.23 M)

CABLE LENGTH TOLERANCES
 <.3M [1FT]: +19mm-0 [+.75in-0]
 .3 - .9M [1 - 3FT]: +44.5mm-0 [+1.75in-0]
 .9 - 1.8M [3 - 6FT]: +55.6mm-0 [+2.19in-0]
 1.8 - 3.7M [6 - 12FT]: +88.9mm-0 [+3.50in-0]
 3.7 - 7.3M [12 - 24FT]: +165.1mm-0 [+6.50in-0]
 7.3-14.6M [24 - 48FT]: +317.5mm-0 [+12.50in-0]
 14.6 - 30.5M [48-100FT]: +622.3mm-0 [+24.50in-0]
 OVER 30M [100FT] +2% OF FINISHED LENGTH



- NOTES:**
- MATERIAL: AS NOTED
 - FINISH: AS NOTED
 - ELECTRICAL:
 VOLTAGE: 500V PER IEC60664
 600V PER UL2238
 CURRENT: 13A
 - TEMP RATING: -20°C TO +105°C
 - PROTECTION: IP67 (WHEN MATED)
 - CSA CERTIFIED FILE: LR6837
 - UL RECOGNIZED FILE: E152210
 - COUPLING THREAD: 7/8"-16 UN
 - ALL DIMS ARE FOR REFERENCE UNLESS TOLERANCED OR NOTED OTHERWISE

WIRING DIAGRAM

P1	Color
1	GREEN/YELLOW
2	BLACK
3	WHITE

PART NUMBER LEGEND

103002A01F030

FINISHED LENGTH
 F001 = 0.1 FT.
 F010 = 1.0 FT.
 F100 = 10 FT.

ITEM	DESCRIPTION	MATERIAL	FINISH
7	WRAP LABEL	VINYL	BLACK/YELLOW
6	OVERMOLD	TPE	YELLOW
5	COUPLING NUT	ZINC DIE-CAST	BLACK E-COAT
4	FRICTION RING	NYLON	WHITE
3	PIN CONTACT	Cu ALLOY	GOLD OVER NICKEL
2	MALE INSERT	TPE	YELLOW
1	#16-3 CABLE,STOOW/ST	PVC JACKET	YELLOW

FUNCTIONAL SYMBOLS	THIS DRAWING CONTAINS INFORMATION THAT IS PROPRIETARY TO MOLEX ELECTRONIC TECHNOLOGIES, LLC AND SHOULD NOT BE USED WITHOUT WRITTEN PERMISSION		CURRENT REV DESC: UPDATED ITEM #2.6 WERE PVC 7 WAS PLASTIC FILM, AND MATERIAL P/N TABLE. ADDED CSA, UL, IEC VOLT, TEMP RATING, IP RATING, TOL. CHART	
	DIMENSION UNITS	SCALE	EC NO: 718076	
	INCH/MM	1:1	DRWN: VHANDI	2021/09/19
DIVISIONAL SYMBOLS	GENERAL TOLERANCES (UNLESS SPECIFIED)		CHK'D: RSTONE	
	4 PLACES	±	APPR: BWOODMAN	2022/08/22
	3 PLACES	±	INITIAL REVISION:	
DRAFT WHERE APPLICABLE MUST REMAIN WITHIN DIMENSIONS		THIRD ANGLE PROJECTION	DRAWING	SERIES
			C-SIZE	130006
DOCUMENT STATUS		P1	RELEASE DATE	2022/08/22 20:40:17
DOCUMENT NUMBER		CUSTOMER		SHEET NUMBER
SD-130006-003		GENERAL MARKET		1 OF 1



MINI-CHANGE CORDSET, A SIZE
 3 POLE, MALE, STRAIGHT, SINGLE KEY, 16 AWG

PRODUCT CUSTOMER DRAWING

DOCUMENT NUMBER: SD-130006-003
 DOC TYPE: PSD
 DOC PART: 001
 REVISION: D