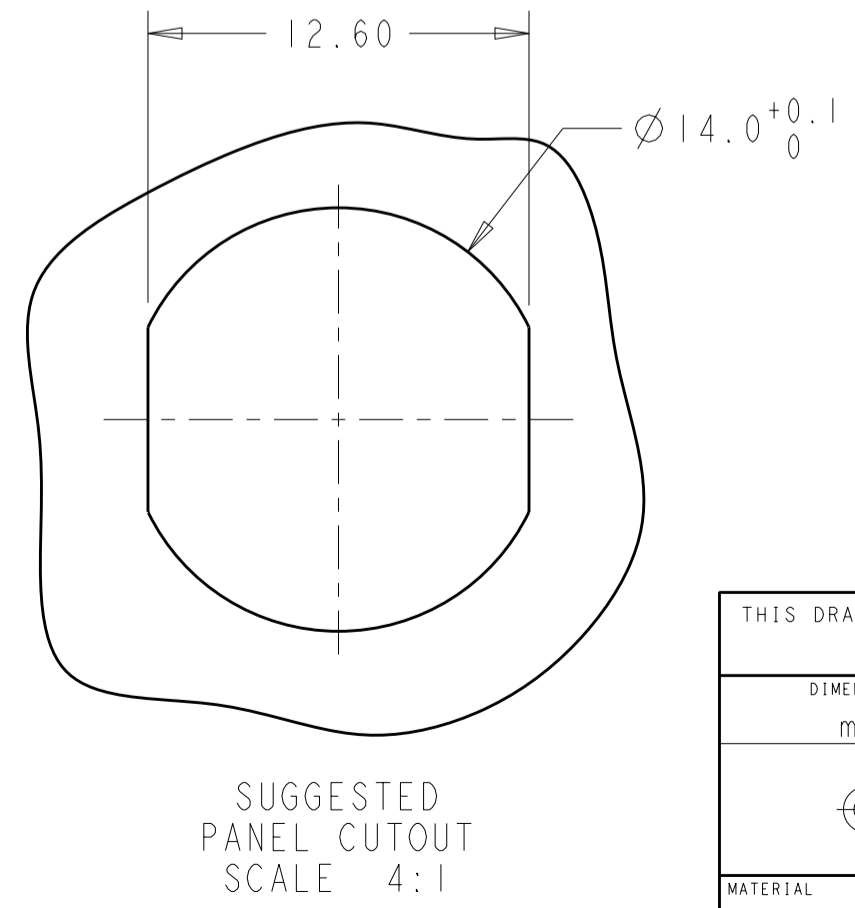
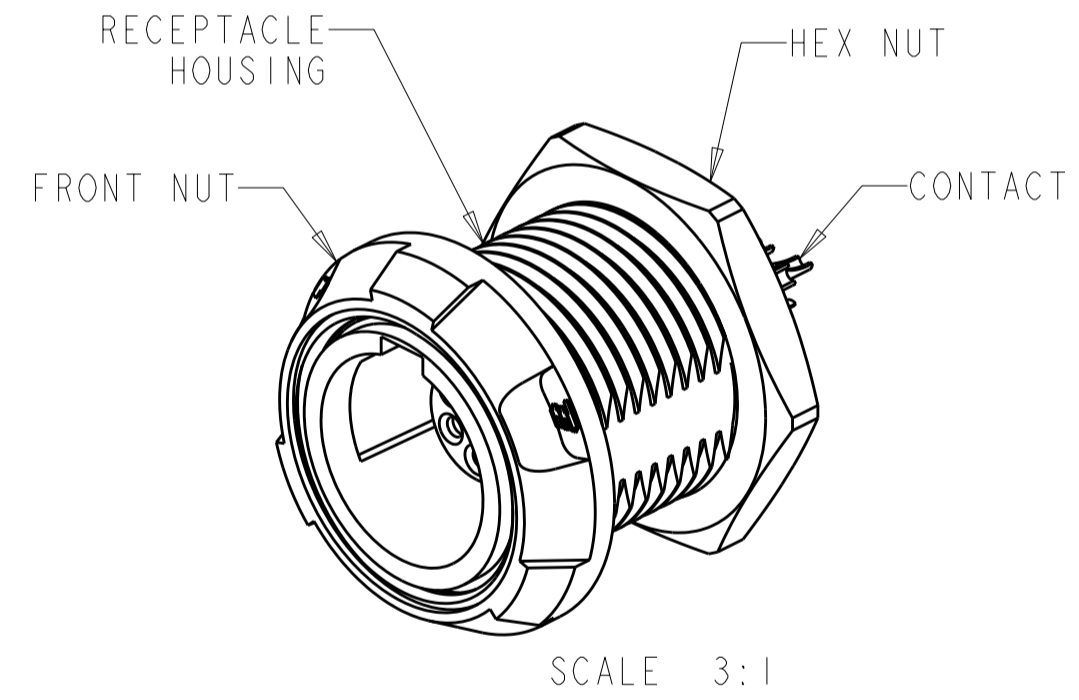
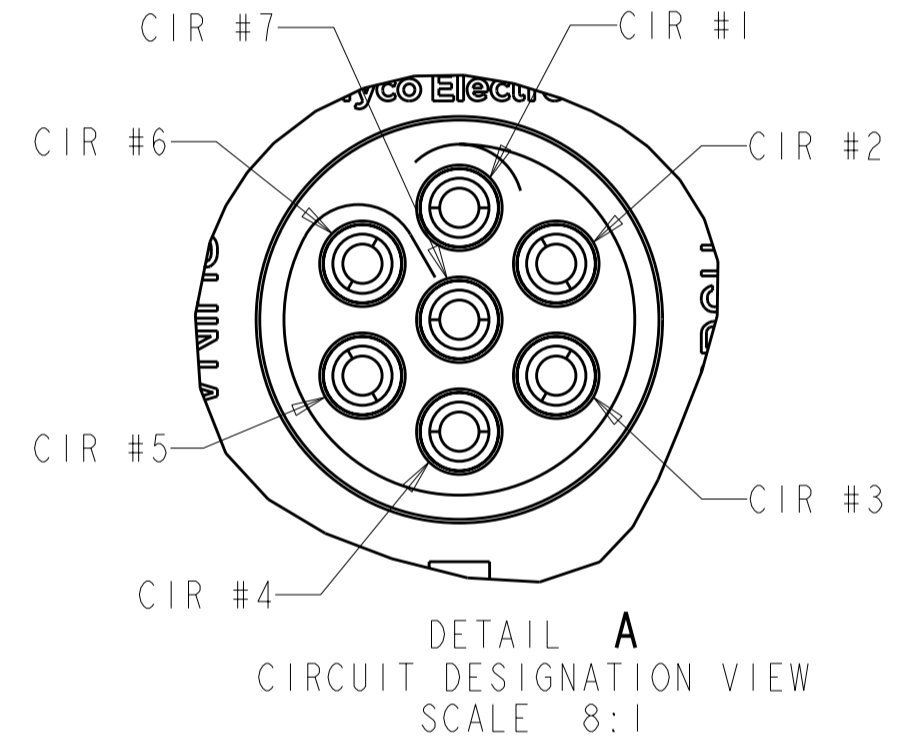
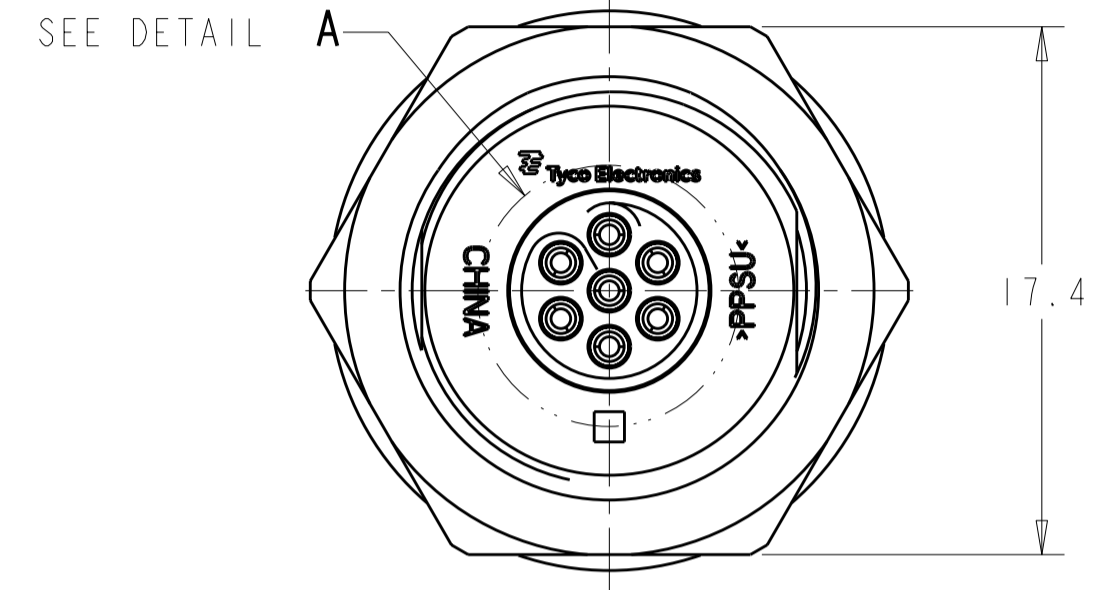
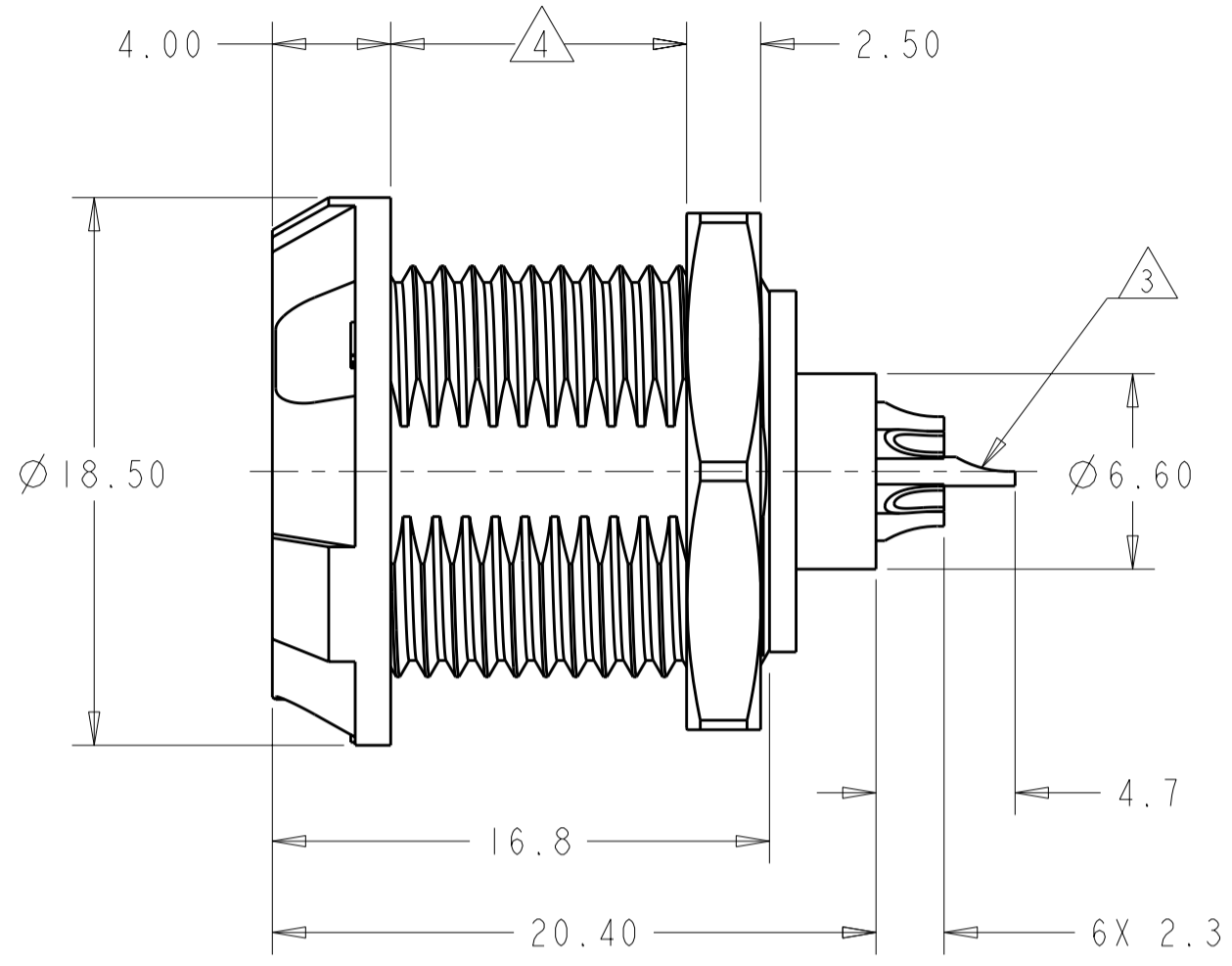


THIS DRAWING IS UNPUBLISHED. RELEASED FOR PUBLICATION 20  
 © COPYRIGHT 20 BY - ALL RIGHTS RESERVED.

LOC	DIST	REVISIONS					
AD	00	P	LTR	DESCRIPTION	DATE	DWN	APVD
		B3		REVISED PER ECO-11-005027	12MAR2011	RK	HMR

- 1 MATERIAL:  
RECEPTACLE HOUSING, UL 94V-0 RATED THERMOPLASTIC, COLOR:SEE TABLE  
CONTACT, PHOSPHOR BRONZE  
FRONT NUT, UL 94V-0 RATED THERMOPLASTIC, COLOR:SEE TABLE  
HEX NUT, BRASS
- 2 FINISH:  
CONTACT, 0.75µm MIN. GOLD OVER NICKEL  
HEX NUT, NICKEL
- 3 SOLDER TERMINATION CONTACT, 26 AWG WIRE MAX.
- 4 10.0 MAXIMUM PANEL THICKNESS
- 5. INSTALLS FROM FRONT OR REAR OF PANEL
- 6. INGRESS PROTECTION: IP50 (MATED)
- 7 PRELIMINARY PART NUMBER.



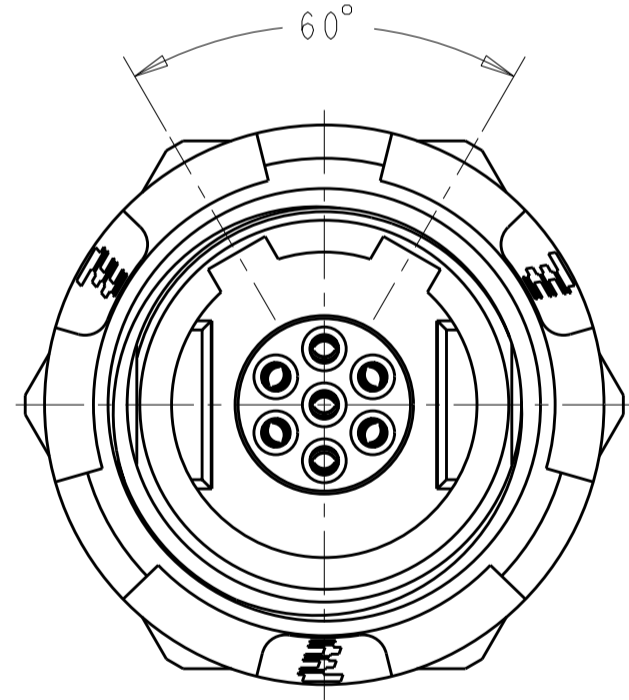
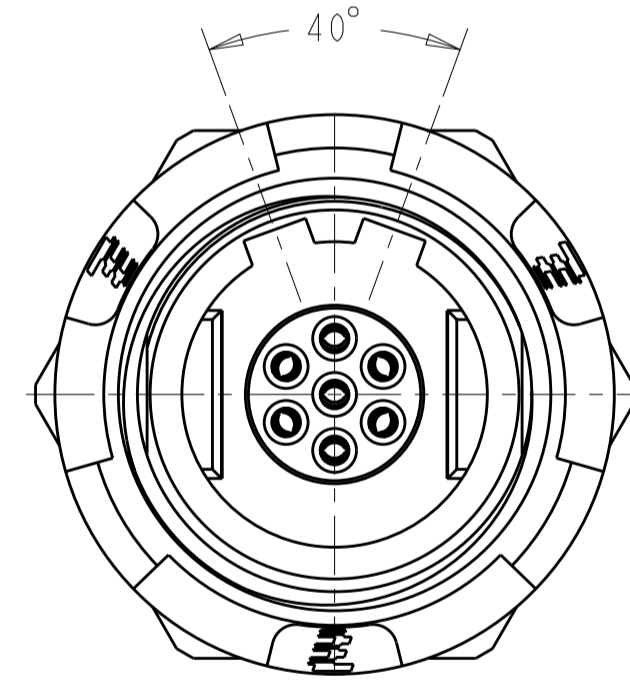
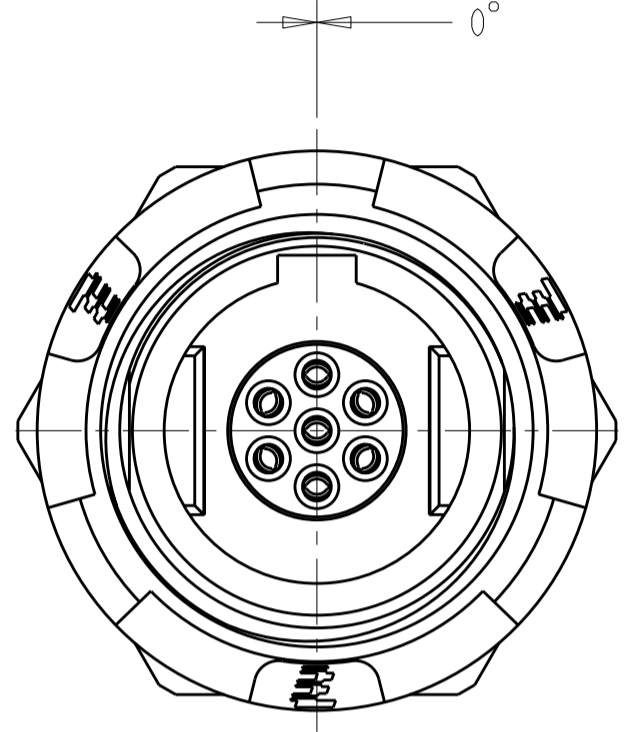
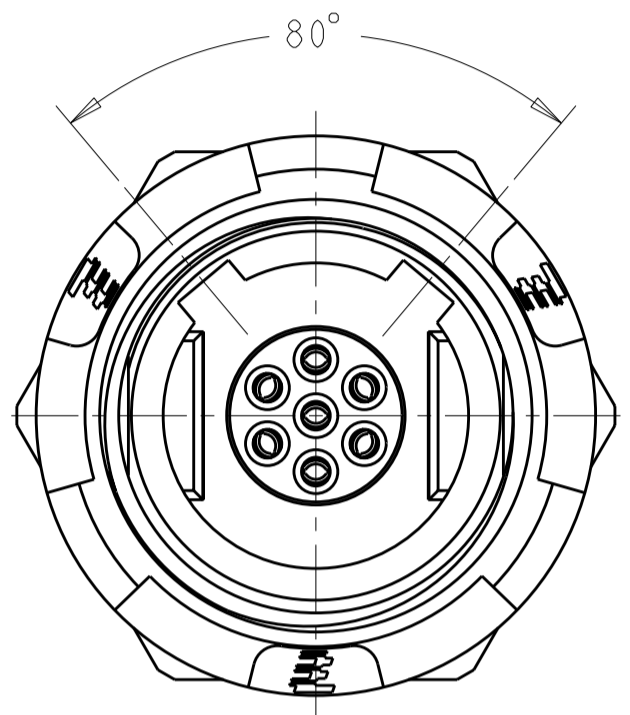
THIS DRAWING IS A CONTROLLED DOCUMENT.		DWN R.L. KOLLER 21 JUN 2005	<b>STE</b> TE Connectivity	
		CHK L. BREKOSKY 28 JUN 2005		
DIMENSIONS: mm		TOLERANCES UNLESS OTHERWISE SPECIFIED:		NAME RECEPTACLE ASSEMBLY PANEL MOUNT 7 POSITION
0 PLC ±		1 PLC ±0.2		SIZE A2
2 PLC ±0.08		3 PLC ±		CAGE CODE 00779
4 PLC ±		ANGLES ±1°		DRAWING NO. 1877068
MATERIAL 1		FINISH 2		RESTRICTED TO -
CUSTOMER DRAWING		SCALE 5:1		SHEET 1 OF 2 REV B3

THIS DRAWING IS UNPUBLISHED. RELEASED FOR PUBLICATION 20  
 © COPYRIGHT 20 BY - ALL RIGHTS RESERVED.

LOC	DIST	REVISIONS			
P	LTR	DESCRIPTION	DATE	DWN	APVD
AD	00	SEE SHEET 1			

KEYING	FRONT NUT COLOR	HOUSING COLOR	PART NUMBER
40°	BLUE	BLACK	4-1877068-2
	BLUE	GRAY	4-1877068-1
40°	GREEN	BLACK	4-1877068-0
	GREEN	GRAY	3-1877068-9
40°	YELLOW	BLACK	3-1877068-8
	YELLOW	GRAY	3-1877068-7
40°	WHITE	BLACK	3-1877068-6
	WHITE	GRAY	3-1877068-5
40°	RED	BLACK	3-1877068-4
	RED	GRAY	3-1877068-3
40°	BLACK	BLACK	3-1877068-2
	BLACK	GRAY	3-1877068-1
40°	GRAY	BLACK	3-1877068-0
	GRAY	GRAY	2-1877068-9
80°	BLACK	GRAY	2-1877068-8
	GRAY	BLACK	2-1877068-7
0°	BLACK	GRAY	2-1877068-6
	GRAY	BLACK	2-1877068-5
80°	BLUE	BLACK	2-1877068-4
	BLUE	GRAY	2-1877068-3
0°	BLUE	BLACK	2-1877068-2
	BLUE	GRAY	2-1877068-1
80°	GREEN	BLACK	2-1877068-0
	GREEN	GRAY	1-1877068-9
0°	GREEN	BLACK	1-1877068-8
	GREEN	GRAY	1-1877068-7
80°	YELLOW	BLACK	1-1877068-6
	YELLOW	GRAY	1-1877068-5
0°	YELLOW	BLACK	1-1877068-4
	YELLOW	GRAY	1-1877068-3
80°	WHITE	BLACK	1-1877068-2
	WHITE	GRAY	1-1877068-1
0°	WHITE	BLACK	1-1877068-0
	WHITE	GRAY	1877068-9
80°	RED	BLACK	1877068-8
	RED	GRAY	1877068-7
0°	RED	BLACK	1877068-6
	RED	GRAY	1877068-5
80°	BLACK	BLACK	1877068-4
	GRAY	GRAY	1877068-3
0°	BLACK	BLACK	1877068-2
	GRAY	GRAY	1877068-1

60°	BLUE	BLACK	5-1877068-6	7
	BLUE	GRAY	5-1877068-5	7
60°	GREEN	BLACK	5-1877068-4	7
	GREEN	GRAY	5-1877068-3	7
60°	YELLOW	BLACK	5-1877068-2	7
	YELLOW	GRAY	5-1877068-1	7
60°	WHITE	BLACK	5-1877068-0	7
	WHITE	GRAY	4-1877068-9	7
60°	RED	BLACK	4-1877068-8	7
	RED	GRAY	4-1877068-7	7
60°	BLACK	BLACK	4-1877068-6	7
	BLACK	GRAY	4-1877068-5	7
60°	GRAY	BLACK	4-1877068-4	7
	GRAY	GRAY	4-1877068-3	7



THIS DRAWING IS A CONTROLLED DOCUMENT.		DWN R.L. KOLLER 21 JUN 2005	TE Connectivity	
		CHK L. BREKOSKY 28 JUN 2005		
DIMENSIONS:	TOLERANCES UNLESS OTHERWISE SPECIFIED:	APVD -	NAME RECEPTACLE ASSEMBLY PANEL MOUNT 7 POSITION	
mm	0 PLC ± 1 PLC ±0.2 2 PLC ±0.08 3 PLC ± 4 PLC ±	PRODUCT SPEC 108-2249	SIZE A2	CAGE CODE 00779
MATERIAL	ANGLES ±1° FINISH	APPLICATION SPEC 114-13184	DRAWING NO C-1877068	RESTRICTED TO -
		WEIGHT -	SCALE 5:1 SHEET 2 OF 2 REV B.3	
CUSTOMER DRAWING				