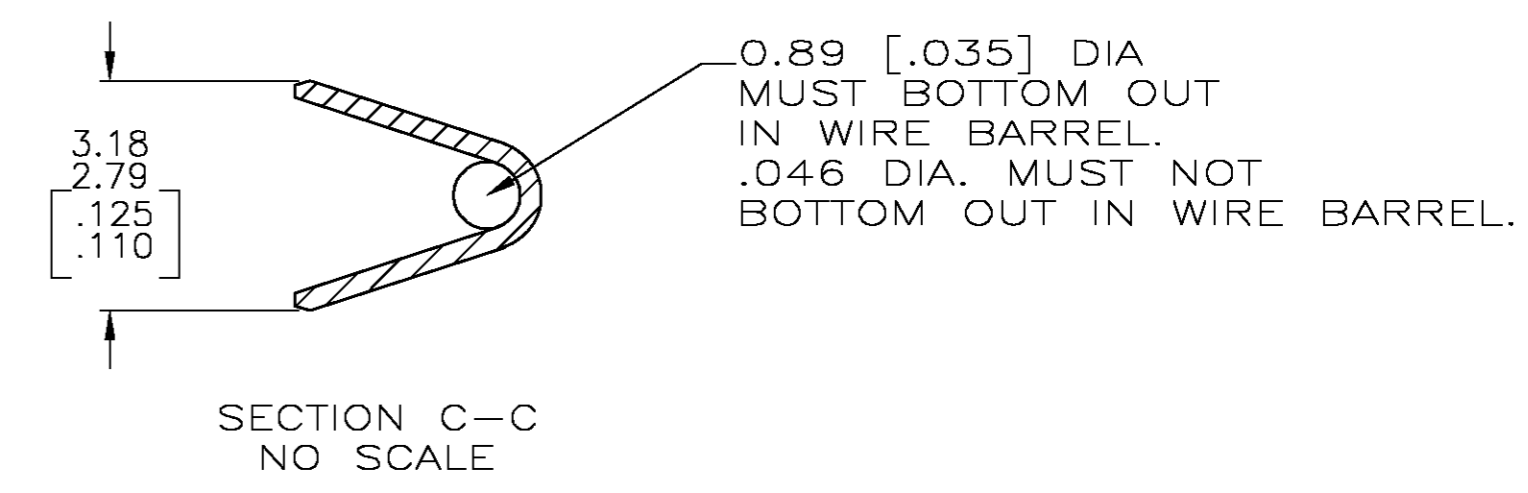
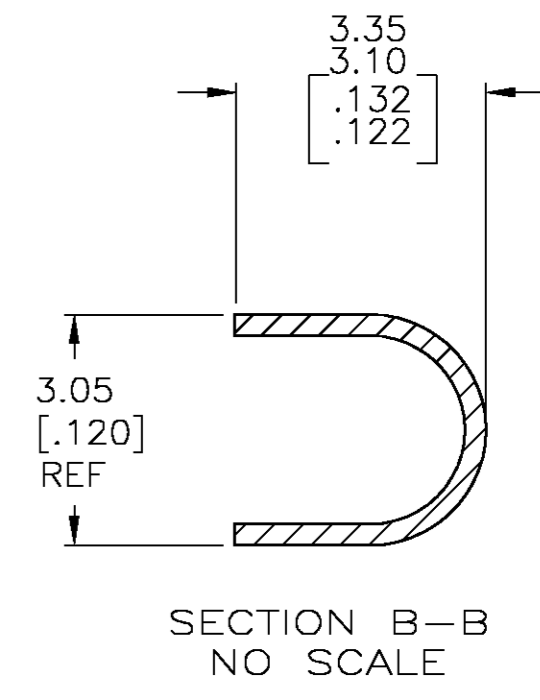
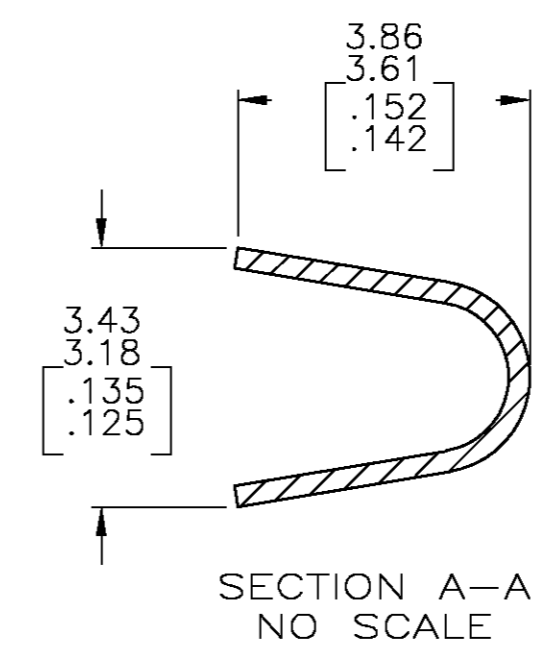
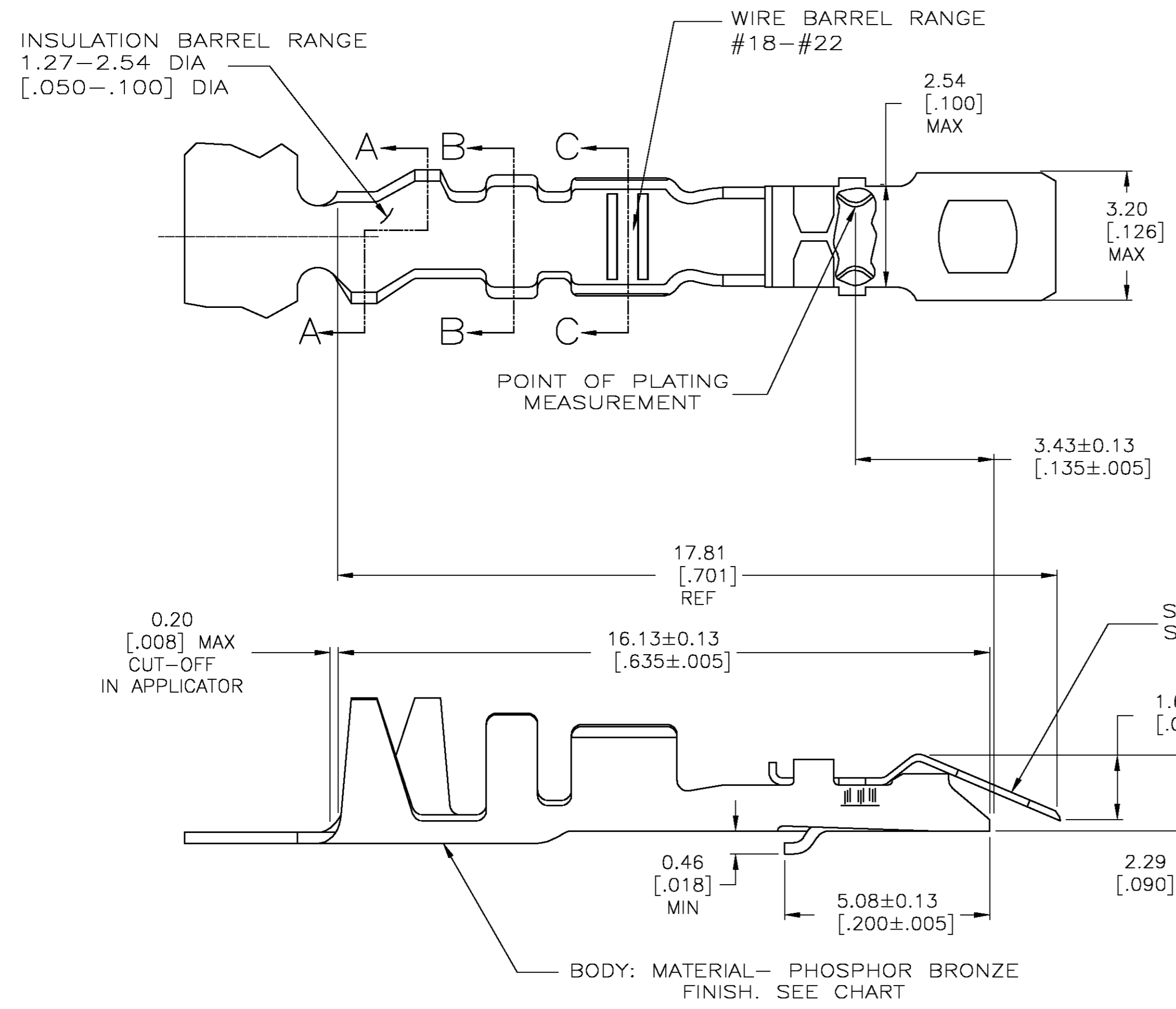


THIS DRAWING IS UNPUBLISHED. RELEASED FOR PUBLICATION  
 © COPYRIGHT BY TYCO ELECTRONICS CORPORATION. ALL RIGHTS RESERVED.

LOC		DIST		REVISIONS			
P	LTR	DESCRIPTION	DATE	DWN	APVD		
AD	00	A	EC 0G3C 0223 05	2APR05	BSV	DLS	

1. PLATED WITH .000100 TIN-LEAD OVER .000030 NICKEL-ENTIRE CONTACT
2. FOR WIRE INSULATION GREATER THAN .100 DIA. THE INSULATION STRIP LENGTH SHOULD BE .370-THIS PLACES THE INSULATION OUTSIDE THE BARREL.
3. PLATED WITH .000100 TIN OVER .000030 NICKEL-ENTIRE CONTACT



	-	5-147082-1
	-	147082-1
BODY FINISH	PART NO. (LOOSE PIECE)	PART NO. (STRIP)

THIS DRAWING IS A CONTROLLED DOCUMENT.		DWN B. HAYMAKER 22JUN98	Tyco Electronics Corporation Harrisburg, Pa 17105-3608	
DIMENSIONS: mm [INCHES]		CHK B. SPINK 22JUN98	NAME	
TOLERANCES UNLESS OTHERWISE SPECIFIED:		APVD -	PRODUCT SPEC	
0 PLC ± -		APPLICATION SPEC	CONTACT LOCKING CLIP .031 X .062 POST	
1 PLC ± -			SIZE	CAGE CODE
2 PLC ± -			A2	00779
3 PLC ± 0.20 [.008]			DRAWING NO	
4 PLC ± -			C=147082	
ANGLES ± -			RESTRICTED TO	
FINISH		WEIGHT	-	
AS NOTED		SEE CHART	SCALE 10:1 SHEET 1 OF 1 REV A	
CUSTOMER DRAWING				