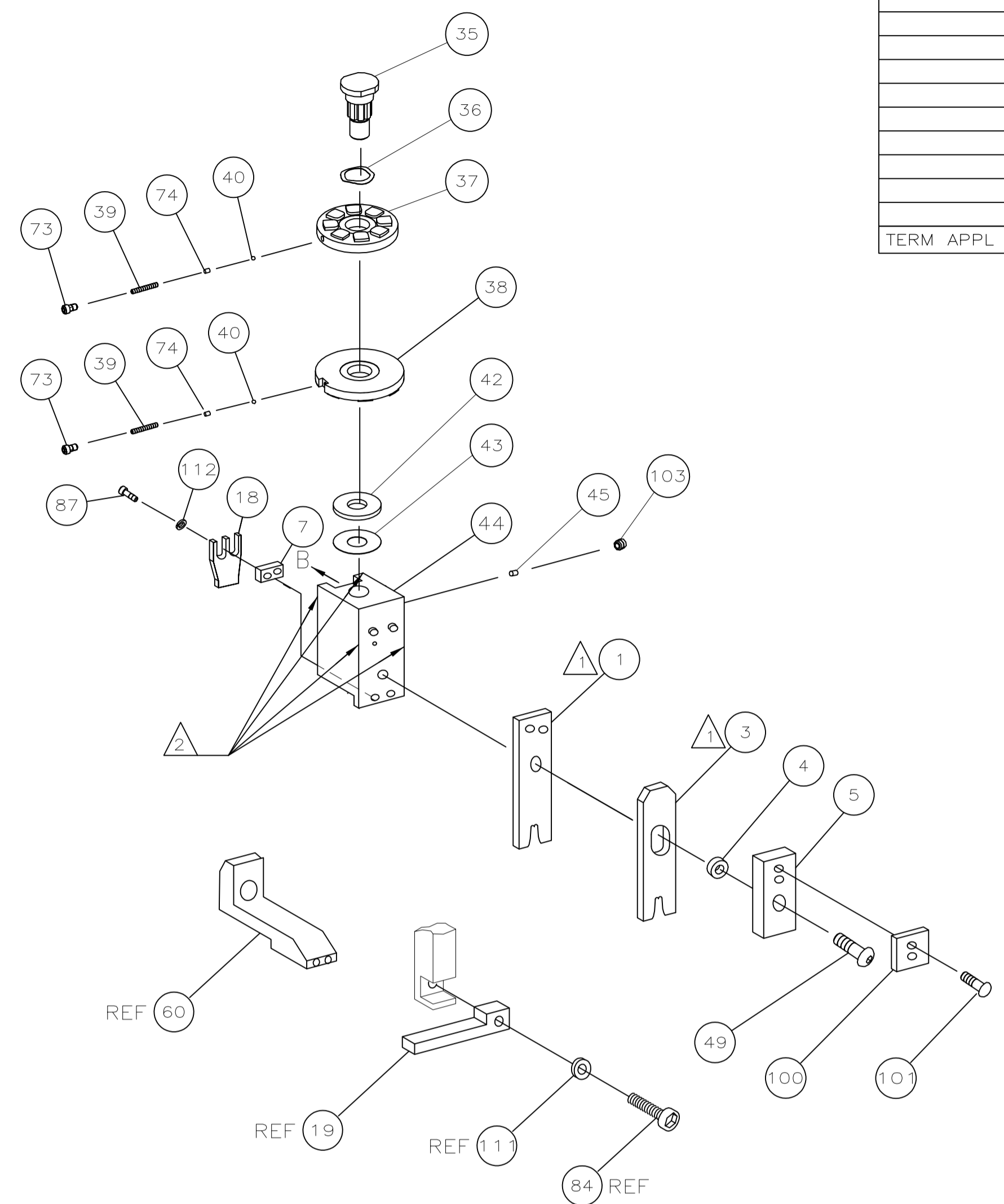
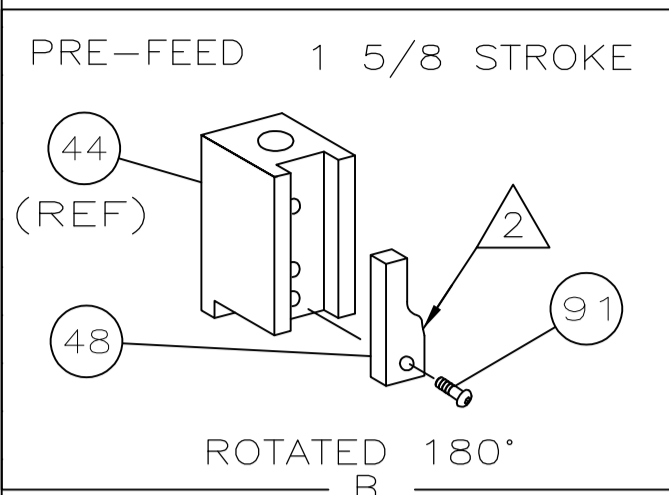


TERMINAL NAME:		CRIMPING DATA			
MTE MODU CONTACT		VISIBLE PAD LTR	CRIMP HEIGHT	WIRE SIZE	
103997	104505	A	.030 ±.002	26	
		B	NOT	USED	
		C	.036 ±.002	22	
		D	.032 ±.002	24	
		CRIMP SIZE	TYPE	RANGE	
		WIRE	.042	F	26-22
		INSUL	.055	O	∅.054 MAX
FEED	APPL INST	SET UP GAGE	LAYOUT		
.200	-	-	L627		
TERM APPL SPEC 114-25038		WIRE STRIP LENGTH -			

REVISONS		DATE	BY	APPV
LOC A	DIST 66			
F LTR	DESCRIPTION			
C	ECR-08-016404	7-2008	MY	TE

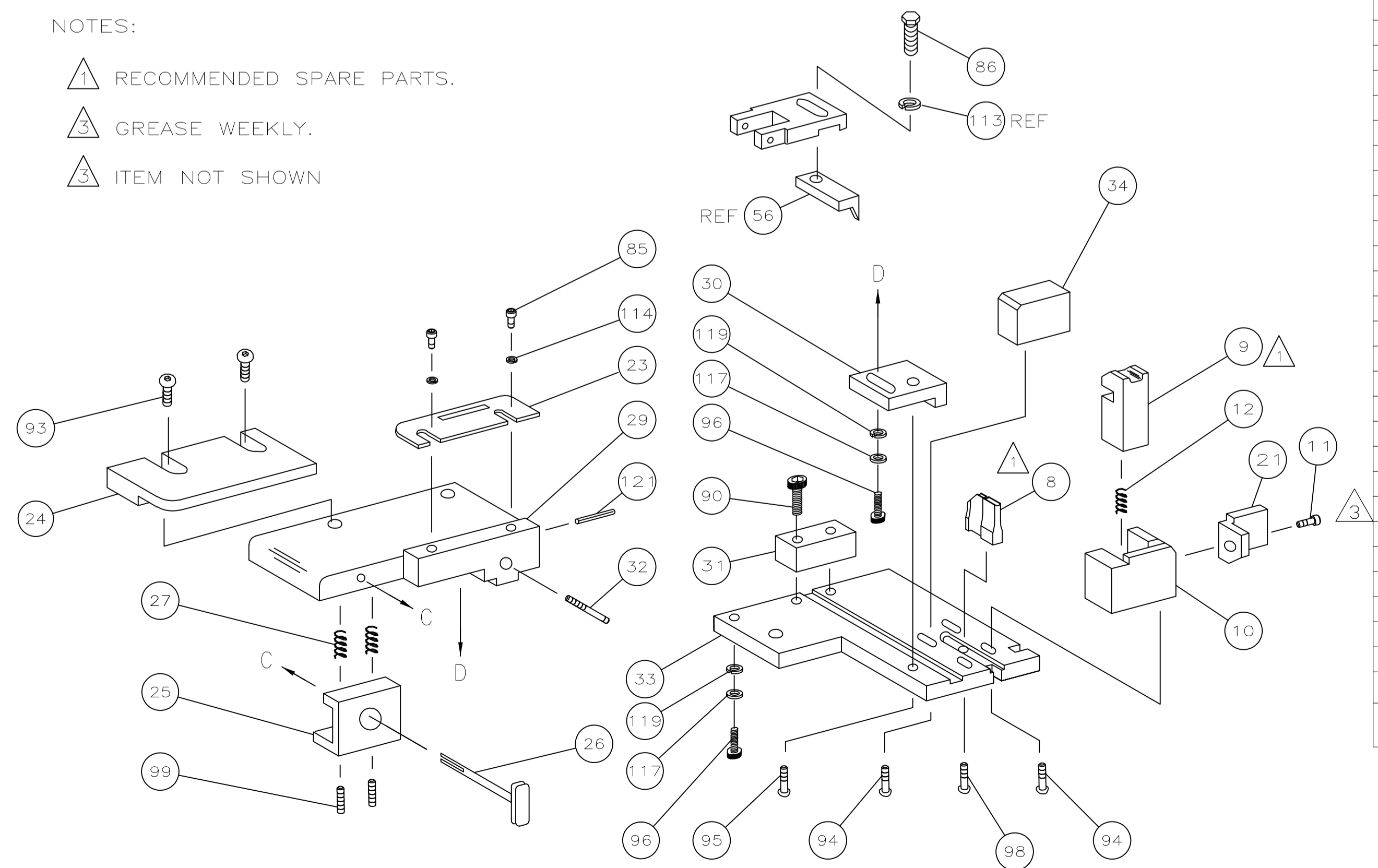


QTY	PART NO	DESCRIPTION	ITEM NO
			129
			128
			127
			126
			125
			124
			123
			122
1	4-21028-0	PIN,SLT SPR(.093∅x.75)ST GUIDE PL	121
			120
2	21899-2	WASHER,FLAT(NO.10) S.G. ADJ. BLOCK	119
			118
2	21024-5	WASHER,LOCK(NO.10)ADJ BLOCK	117
			116
			115
2	21024-2	WASHER,LOCK(NO.4)FRONT STRIP GUIDE	114
REF	21024-4	WASHER,LOCK(NO.8)FEED FINGER	113
2	21024-4	WASHER,LOCK(NO.8)TERM HOLDER	112
REF	21024-4	WASHER,LOCK(NO.8)STRIPPER	111
			110
			109
			108
			107
			106
			105
			104
1	21009-2	SCR,SKT SET(1/4-20x.25LOC-WEL)RAM	103
1	690701-2	PLATE, ID	102
4	21017-2	SCR,DRIVE(#2x.19)ID PLATE	101
1	819347-1	PLATE, ID	100
2	5-21006-6	SCR,SET(10-32x.75)DRAG	99
1	22733-8	SCR,BHC(8-32x.38LOC-WEL)ANVIL	98
			97
2	3-21000-8	SCR,SKT CAP(10-32x.88)MOUNTING	96
1	2-22733-1	SCR,BHC(10-32x.50)SG ADJ BLOCK	95
4	22733-9	SCR,BHC(8-32x.50)SHEAR-TERM SUP	94
2	2-21002-2	SCR,BHC(8-32x.50)R STRIP GUIDE	93
			92
1	1-21002-7	SCR,BHC(6-32x.50)CAM	91
2	2-21000-7	SCR,SKT CAP(8-32x.50)SCR BLOCK	90
			89
			88
2	2-21000-7	SCR,SKT CAP(8-32x.50)HOLDER	87
REF	2-22603-0	SCR,HEX HEAD(8-32x.31)FEED FINGER	86
2	1-21000-3	SCR,SKT CAP(4-40x.25)F STRIP GUIDE	85
REF	2-21002-1	SCR,BHC(8-32x.38)STRIPPER	84
			83
			82
			81
			80
			79
			78
2	463310-7	BLADE, STRIPPING (#24)	77
			76
			75
2	690603-1	SPRING, ASSIST	74
2	23030-1	SCR,SKT CAP(6-32x.25)CP DISC	73
			72
			71
QTY	PART NO	DESCRIPTION	ITEM NO
PARTS LIST			

SIM TO 567239-2

QTY	PART NO	DESCRIPTION	ITEM NO
			70
			69
			68
			67
			66
			65
			64
			63
			62
			61
REF	469484-2	STOP, WIRE	60
			59
			58
			57
REF	694433-8	PAWL, FEED	56
			55
			54
			53
			52
			51
			50
1	7-21002-9	BOLT, CRIMPER(5/16-24x1.00)	49
1	690602-6	CAM, PRE FEED 1.62 STROKE	48
			47
			46
1	690191-1	PLUG, NYLON	45
1	455673-1	RAM	44
1	690125-1	WASHER, LAMINATED	43
1	690124-1	WASHER, RAM	42
			41
2	23241-6	BALL, STEEL	40
2	690170-1	SPRING, COMPRESSION	39
1	690142-4	DISC, INSULATION	38
1	3-690692-2	DISC, WIRE	37
1	22480-5	WASHER, SPRING	36
1	690212-1	POST, RAM	35
1	690786-1	SUPPORT, TERMINAL	34
1	462544-1	PLATE, BASE SPECIAL	33
1	690432-3	SCREW, ADJUSTMENT	32
1	462543-1	BLOCK, SCREW SPECIAL	31
1	455689-1	BLOCK, STRIP GUIDE ADJ	30
1	455671-1	PLATE, STRIP GUIDE	29
			28
2	1-22284-0	SPRING, DRAG	27
1	690546-1	LEVER, DRAG RELEASE	26
1	240792-1	DRAG, STOCK	25
1	8-690504-3	GUIDE, STRIP (REAR)	24
1	690438-1	GUIDE, STRIP (FRONT)	23
			22
			21
1	463756-1	GUIDE, SCRAP	20
			19
REF	462615-1	STRIPPER	18
1	1-690518-1	HOLDER, TERMINAL	17
			16
			15
			14
			13
1	3-22280-3	SPRING, SHEAR	12
1	690461-2	STOP, SHEAR (FRONT)	11
1	462548-1	HOLDER, SHEAR (FRONT)SPECIAL	10
1	462547-1	SHEAR, FLOAT (FRONT)SPECIAL	9
1	4-690512-9	ANVIL	8
1	1-240641-8	SPACER,DEPRESSOR (REAR)	7
			6
1	462838-1	DEPRESSOR, SHEAR (FRONT)SPECIAL	5
1	1-238011-7	SPACER, TUBULAR	4
1	2-683454-4	CRIMPER, INSULATION	3
			2
			1
1	456401-3	CRIMPER, WIRE	1
QTY	PART NO	DESCRIPTION	ITEM NO
PARTS LIST			

- NOTES:
- 1 RECOMMENDED SPARE PARTS.
  - 3 GREASE WEEKLY.
  - 3 ITEM NOT SHOWN



THIS DRAWING IS A CONTROLLED DOCUMENT.

DIMENSIONS: INCHES	TOLERANCES UNLESS OTHERWISE SPECIFIED:	0 PLC ± .005	1 PLC ± .002	2 PLC ± .001	3 PLC ± .0005	4 PLC ± .0002	ANGLES ± .01
MATERIAL	FINISH	WEIGHT	SCALE	SHEET	1 OF 1	REV	C

APPROVED: B. WOLFE  
 NAME: MTE MODU CONTACT  
 SIZE: A1  
 CUSTOMER DRAWING