

Series **D XX S 24B 6 XX 22 LF**

Number of contacts
09 , 15 , 25 , 37

Contacts
S : Socket

Plating
6 - 500 Mating / Unmating Mini

Packaging specification
Tape and Reel For connector with cap
See Note RoHS

Termination

Code	Type	Foot Print/Pitch	Length of termination	PCB thickness
24B	Straight version	6 / 2.84mm	2.90	2.4

NOTE RoHS INFORMATION

- The "LF" product meet european union Directives and other country regulations asdescribed in GS-22-008.
- The housing will whistand exposure to 260^o peak temperature for 30 seconds in a convection , infra-red or vapor reflow oven. See application notes/procedures if are available.
- Termination plating spec:1.27 μ Nickel mini,2.5 to 7.5 μ Sn(pure mate)
- Shell plating : Nickel bright
- Accessories : Sn pure bright
- Packaging spec ; See GS-14-920

Mounting Options

RL	Insert M3
RV	Female Screw UNC 4-40
RX	Insert UNC 4-40

Product Specification

see : GS-12-372

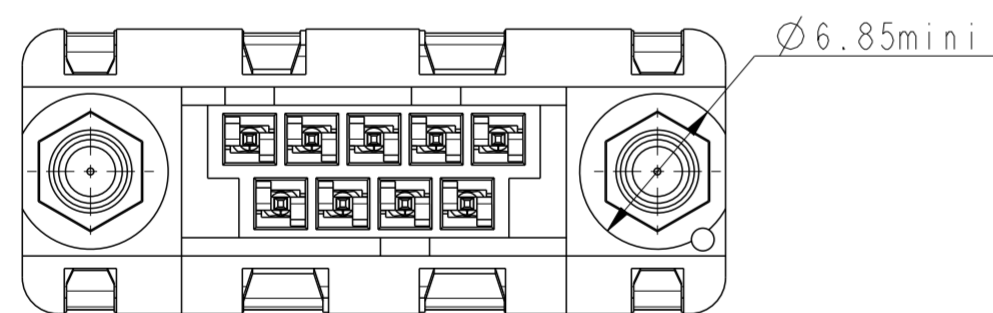
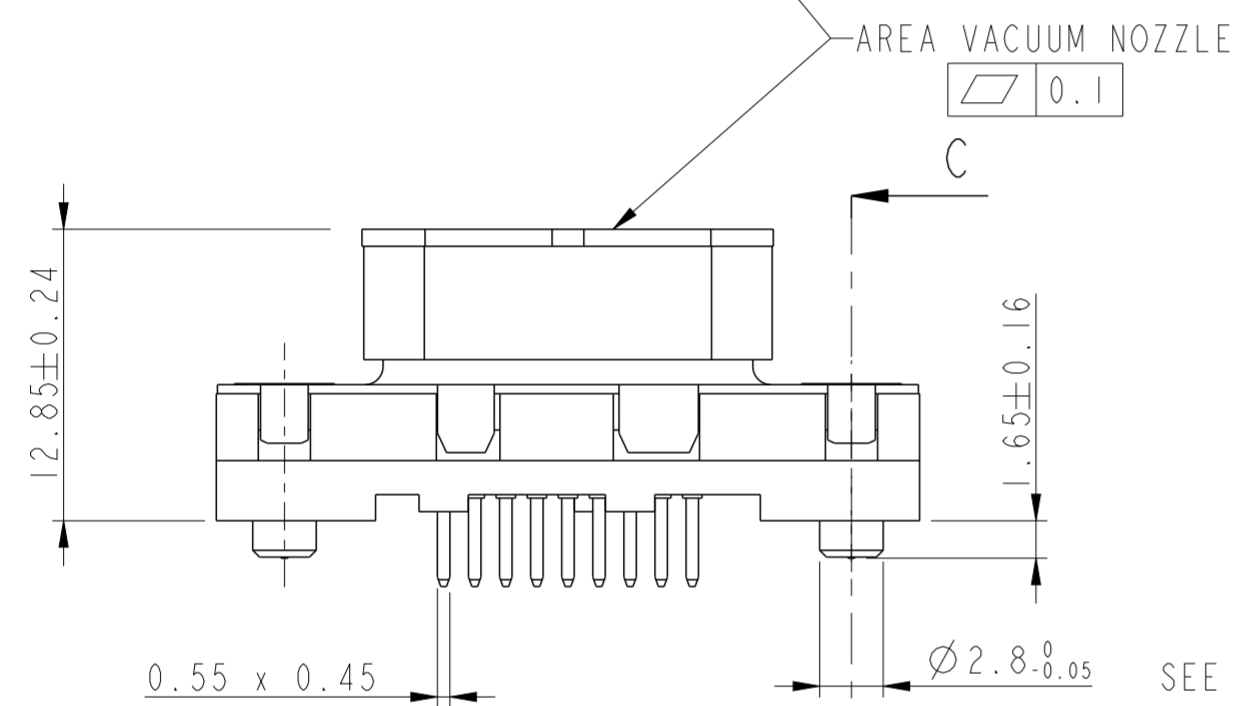
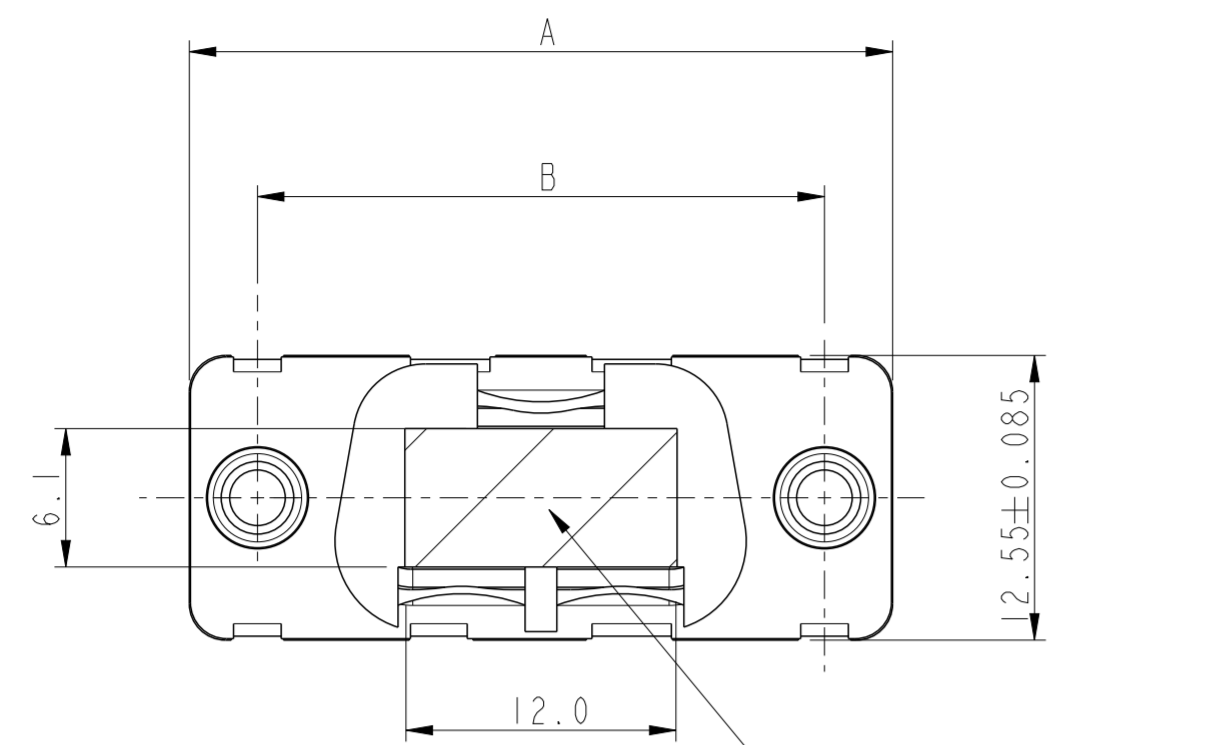
Packaging Specification

See GS-14-1052

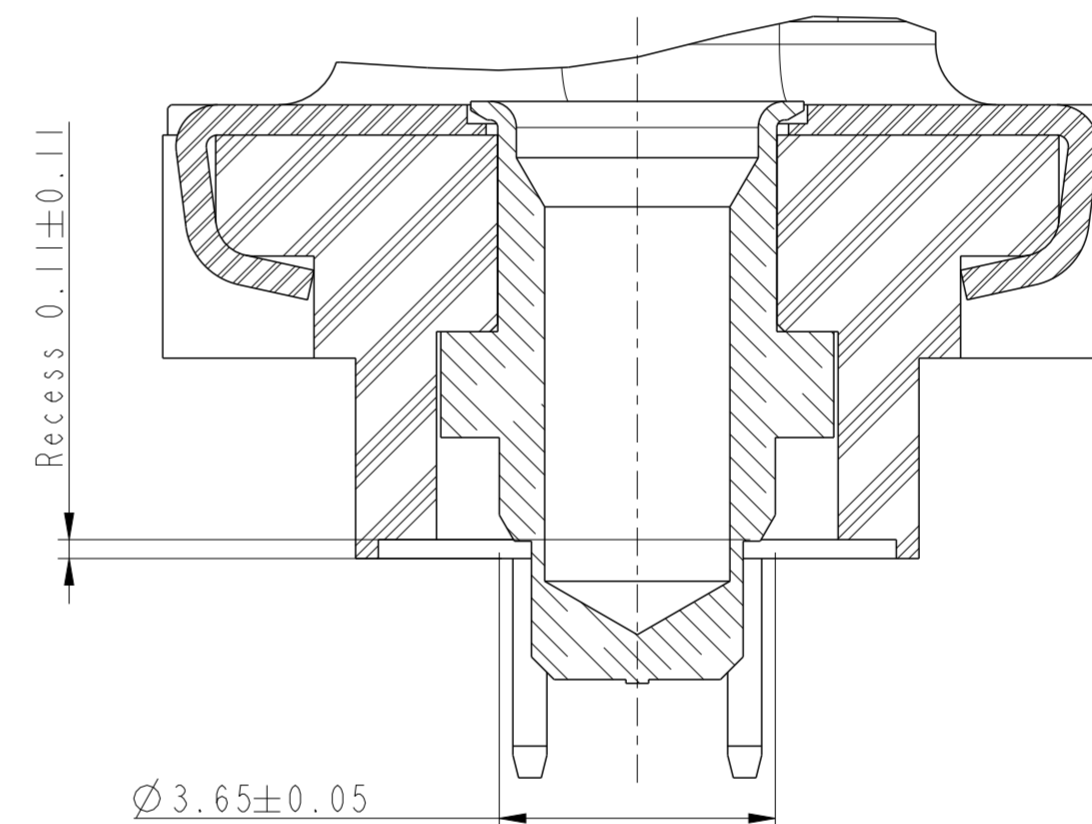
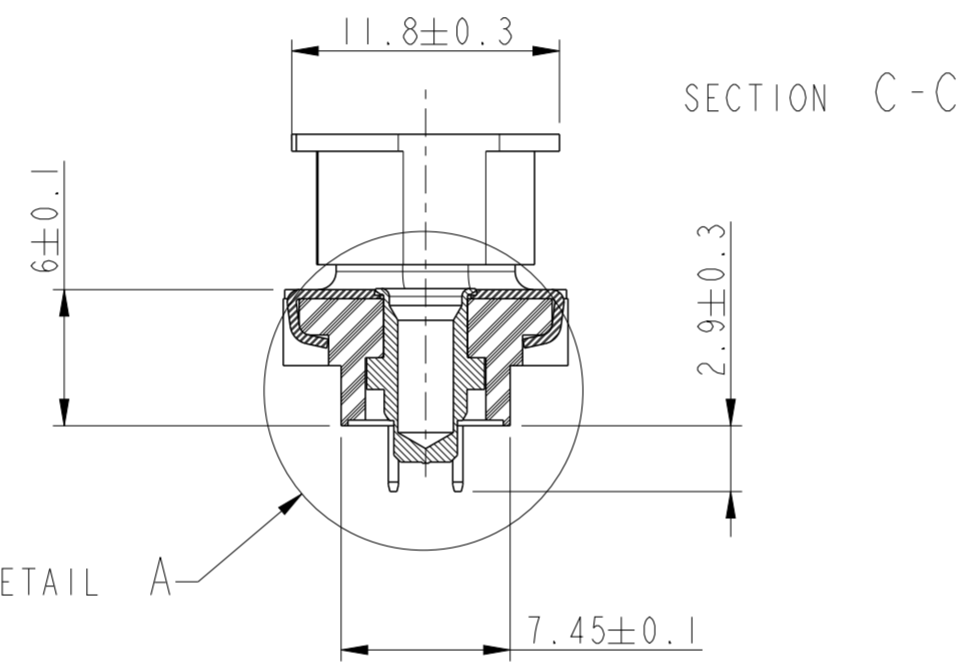
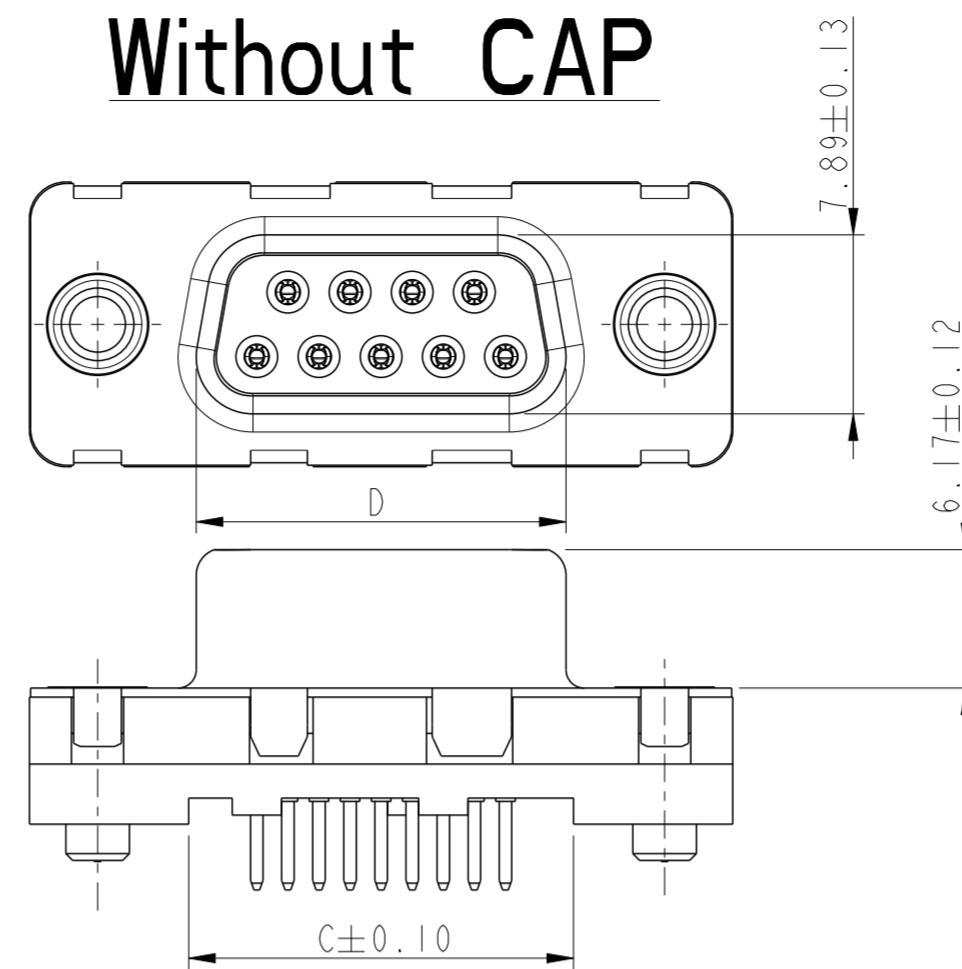
rev	ecn no	dr	YY/MM/DD
I	CREATED	HLE	22/08/06
A	LS06-0223	PCR	2006/12/21
B	LS08-0112	HLE	2008-04-21
C	LS08-0116	HLE	2008-04-24
D	110-0197	NG	2010-10-14
-	-	-	-
-	-	-	-

www.fciconnect.com		surface - <input checked="" type="checkbox"/> ISO 1302	tolerance std ISO 406 ISO 1101	projection	mm
TOLERANCES UNLESS OTHERWISE SPECIFIED					
Dr	P. CRON	22/08/06	ANGULAR	0.X ± 0.3	size A3
Eng	H. LEGALLIC	22/08/06	LINEAR	0.XX ± 0.1	Scale 2:1
Chr	NIRMAL G	2010-10-14	0 $^{\circ}$ $\pm 2^{\circ}$	0.XXX ± 0.05	ECN 110-0197
Appr	SUDHIR V	2010-10-14	Product family	-	Spec ref -
		SUB DELTA D PIP FEMALE H=2.9		dwg no C01-8646-0888	Rev. D
		straight for tape and reel packaging		CUSTOMER	sheet 1 of 2
		catalog no SEE TABLE			

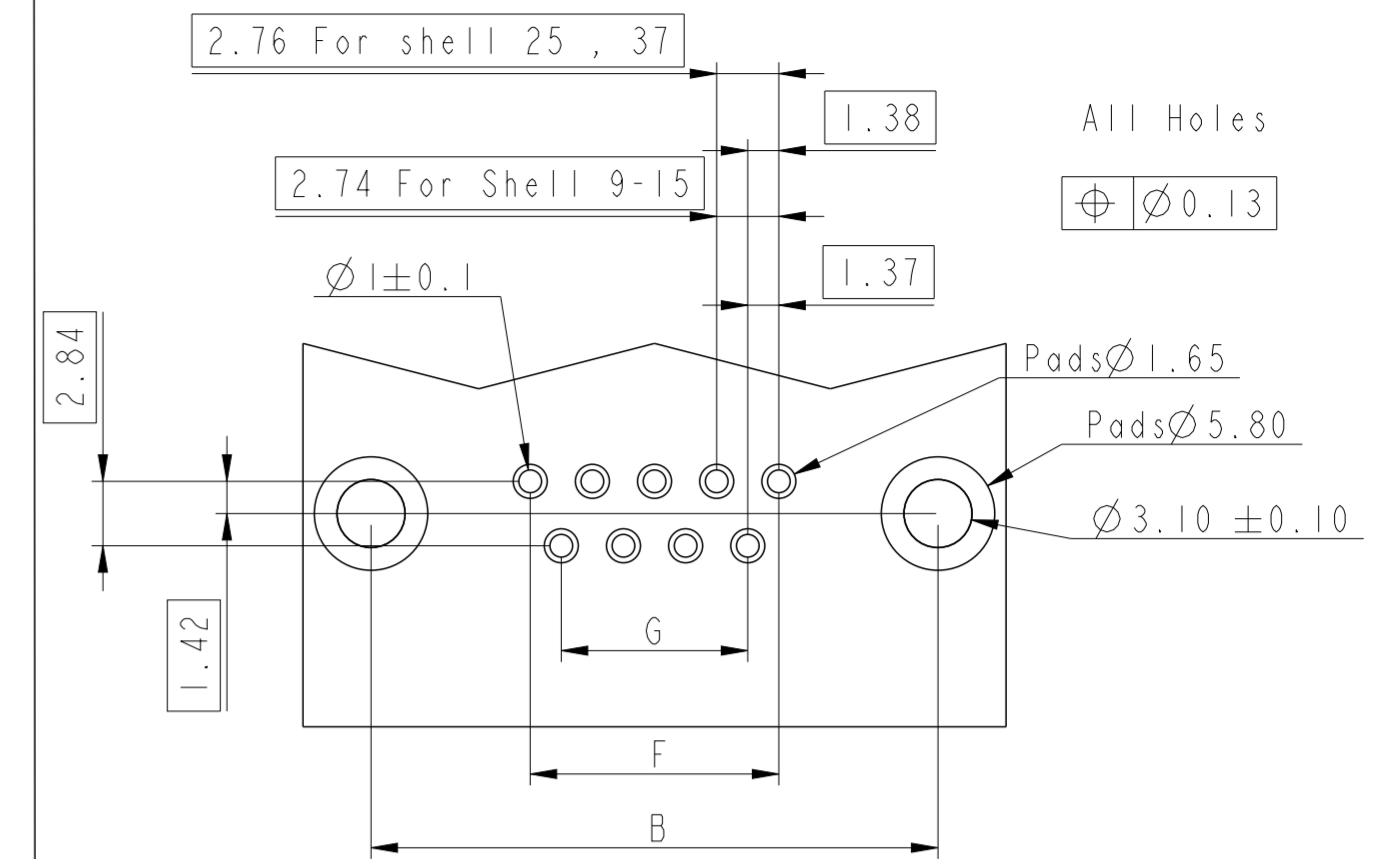
With CAP



Without CAP



PCB Card Drilling dimensions and Pads recommended (after plating - Thickness : 240 μm)

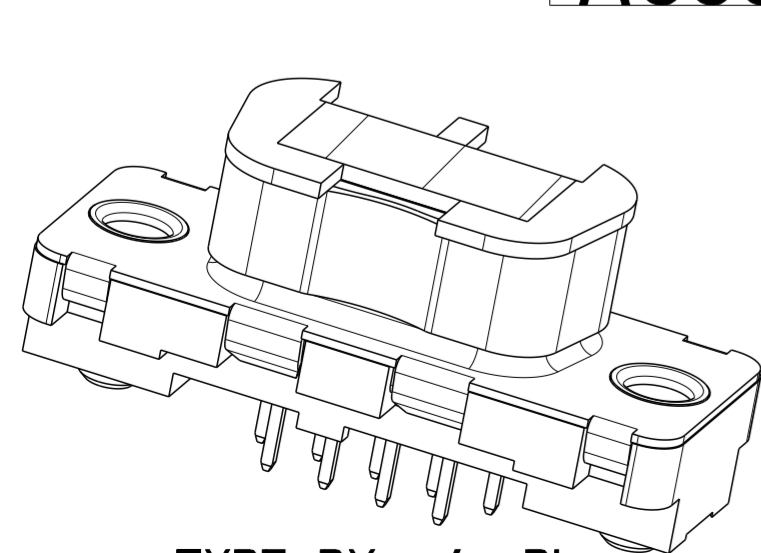


TRUE POSITIONING : $\oplus \varnothing 0.36$

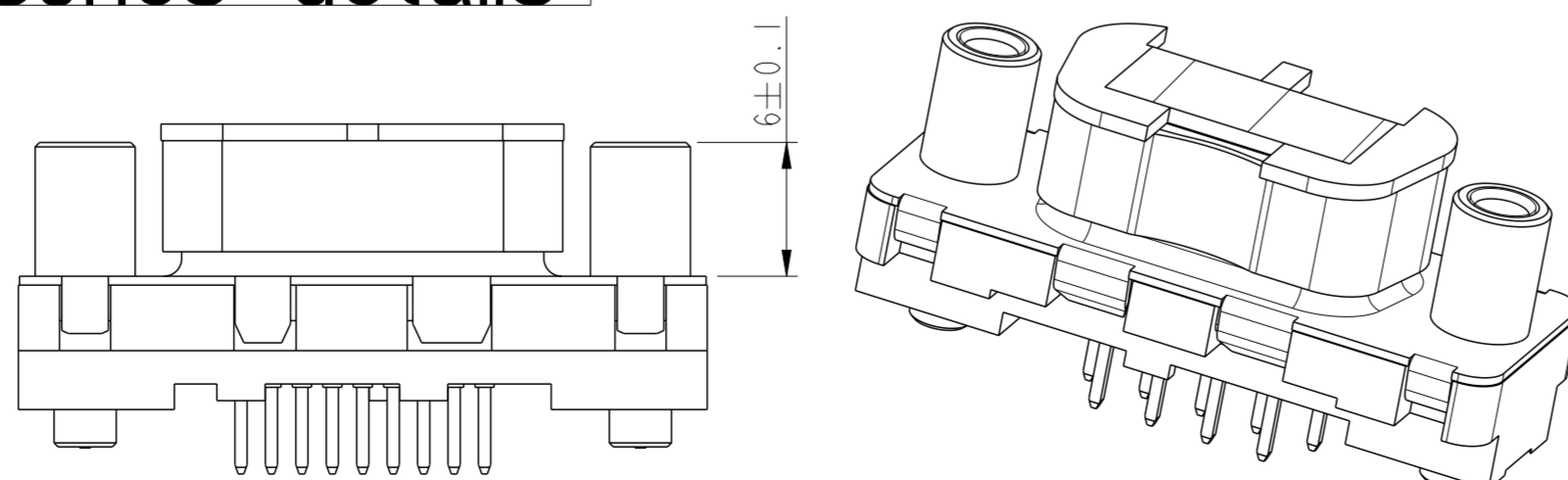
DETAIL A
SCALE 10:1

SHELL	P/N LEAD FREE	A ±0.38	B ±0.10	C ±0.10	D +0.25 0	F	G
09	D09S04B6xx22LF	30.81	24.99	16.96	16.21	10.96	8.22
15	D15S04B6xx22LF	39.14	33.32	25.18	24.54	19.18	16.44
25	D25S04B6xx22LF	53.03	47.04	39.12	38.25	33.12	30.36
37	D37S04B6xx22LF	69.32	63.50	55.68	54.71	49.68	46.92

Accessories details



TYPE RX / RL



TYPE RV

www.fciconnect.com		surface	tolerance std	projection	mm
		ISO 1302	ISO 406 ISO 1101	$\oplus \ominus$	mm
TOLERANCES UNLESS OTHERWISE SPECIFIED					
Dr	P. CRON	22/08/06	ANGULAR	0.x	±0.3
Eng	H. LEGALLIC	22/08/06	LINEAR	0.xx	±0.1
Chr	NIRMAL G	2010-10-14	0° ±2°	0.xxx	±0.05
Appr	SUDHIR V	2010-10-14	Product family	-	Spec ref
TITLE		SUB DELTA D PIP FEMALE H=2.00		Rev.	
straight for tape and reel packaging		C01-8646-0888		D	
catalog no		SEE TABLE		CUSTOMER sheet 2 of 2	