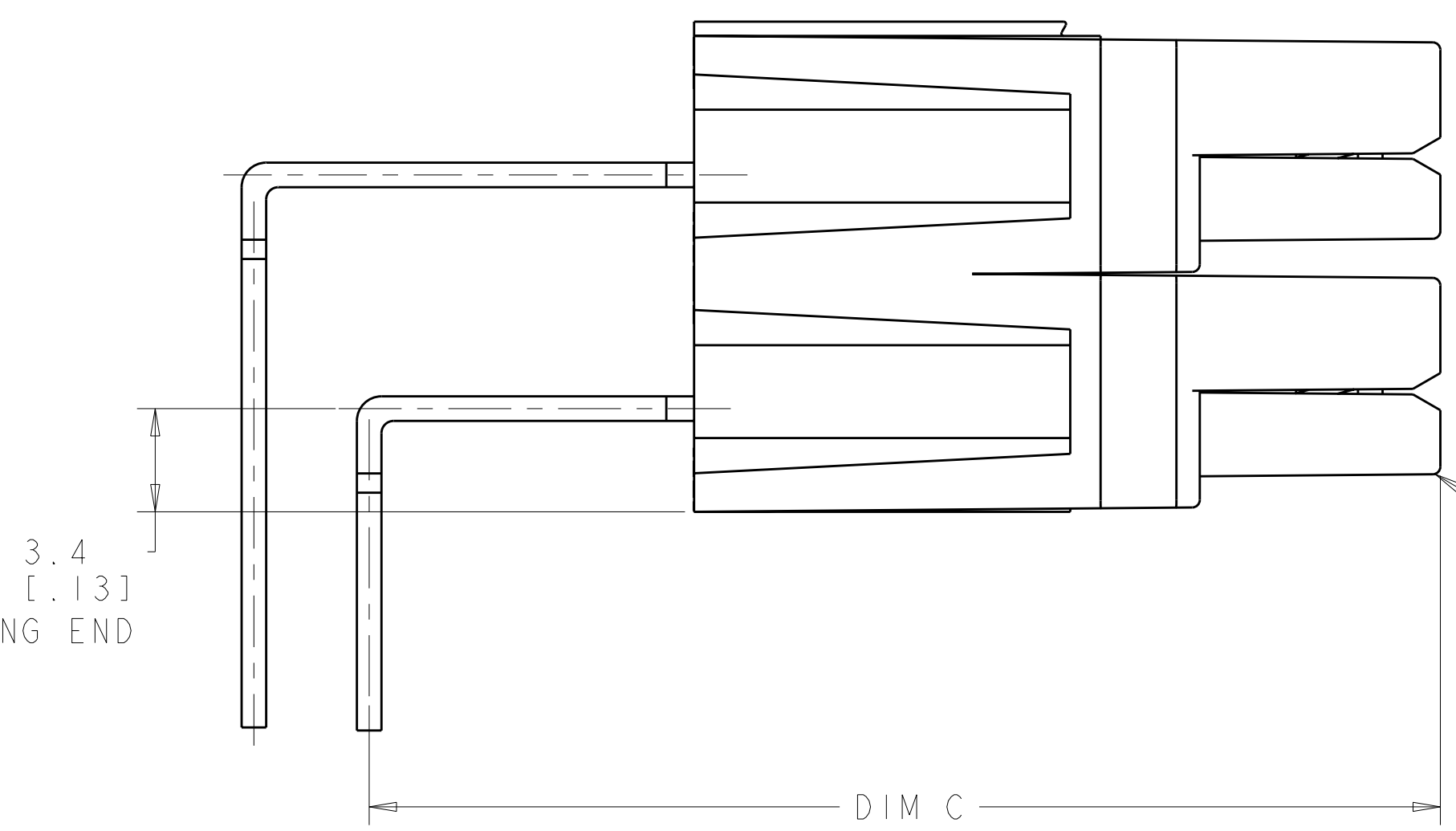
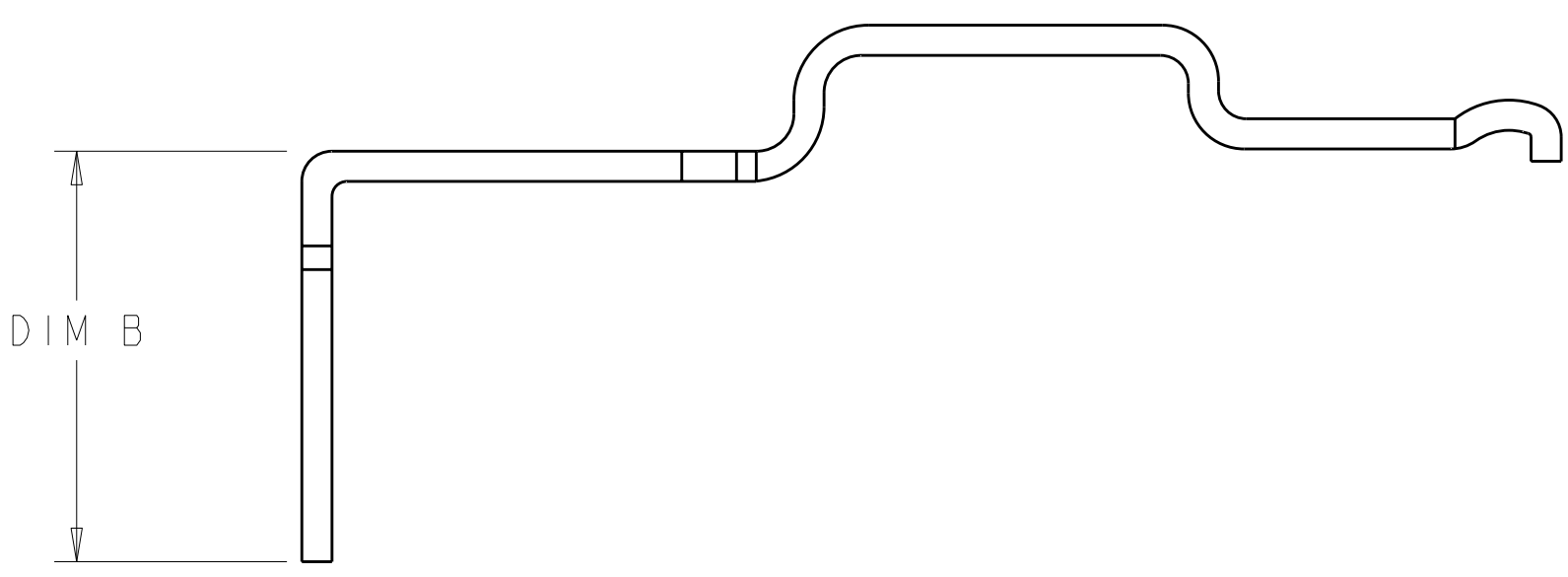
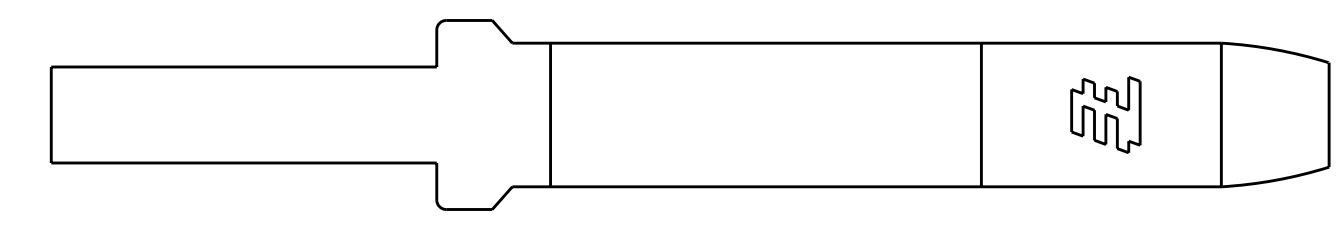
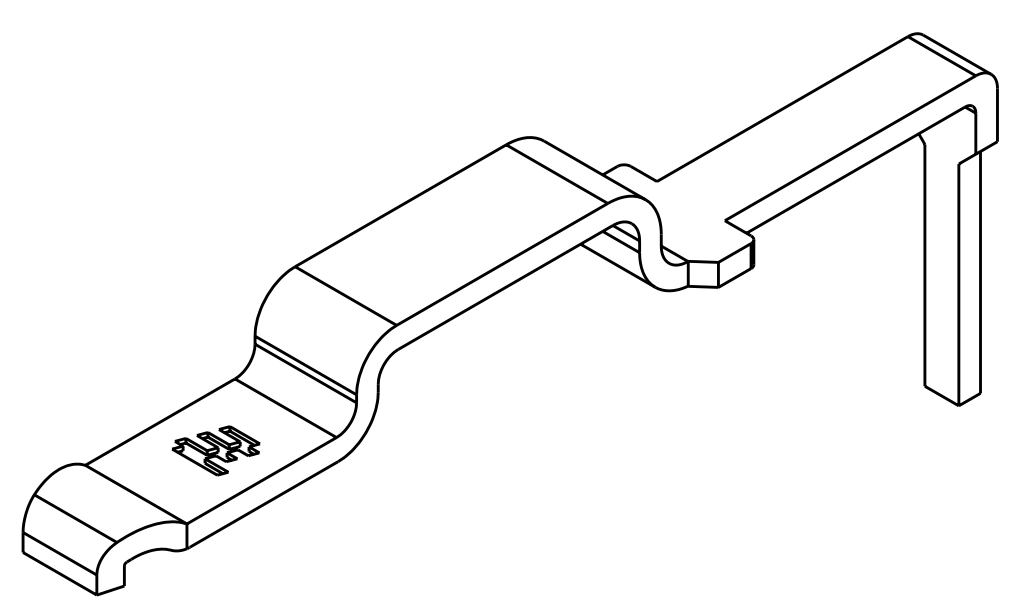
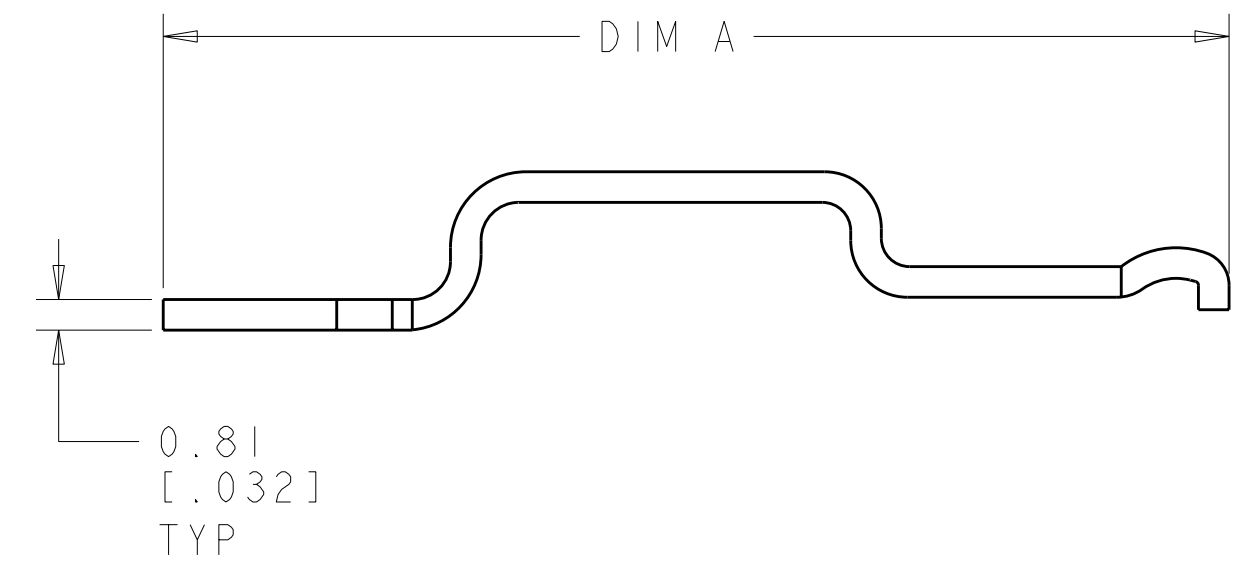
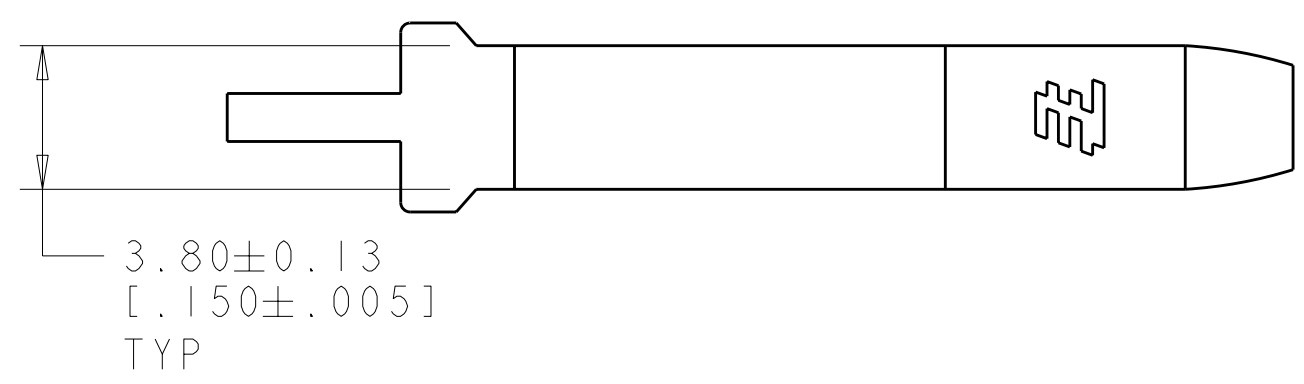
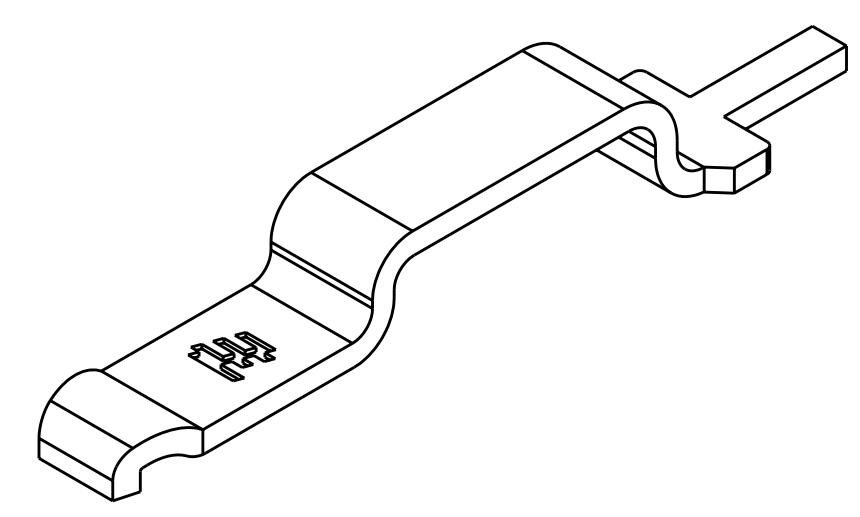
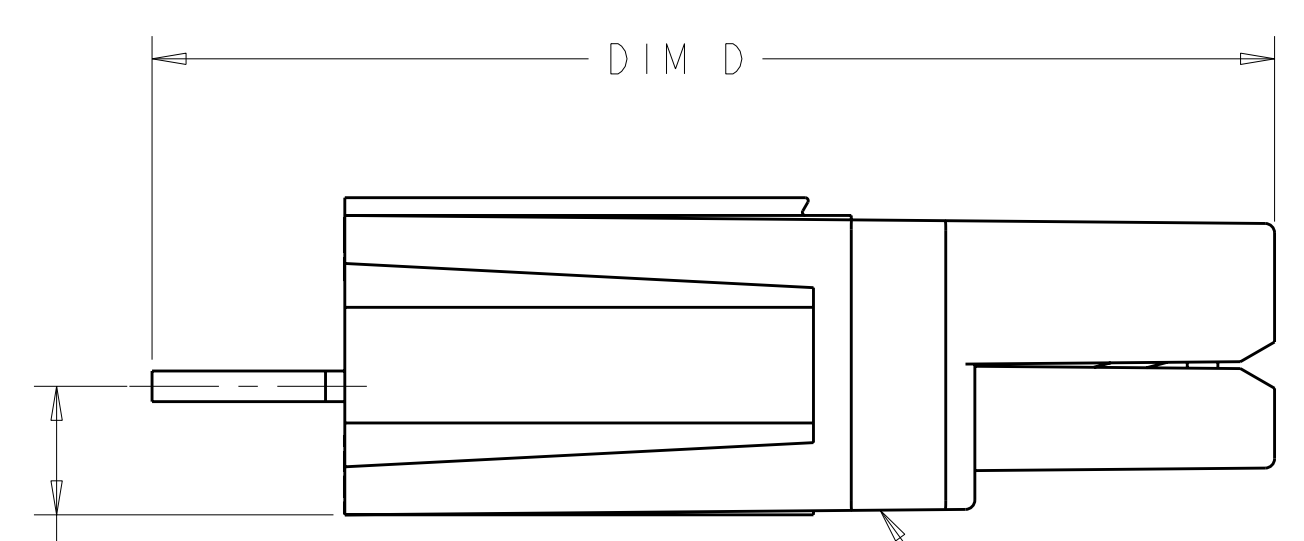
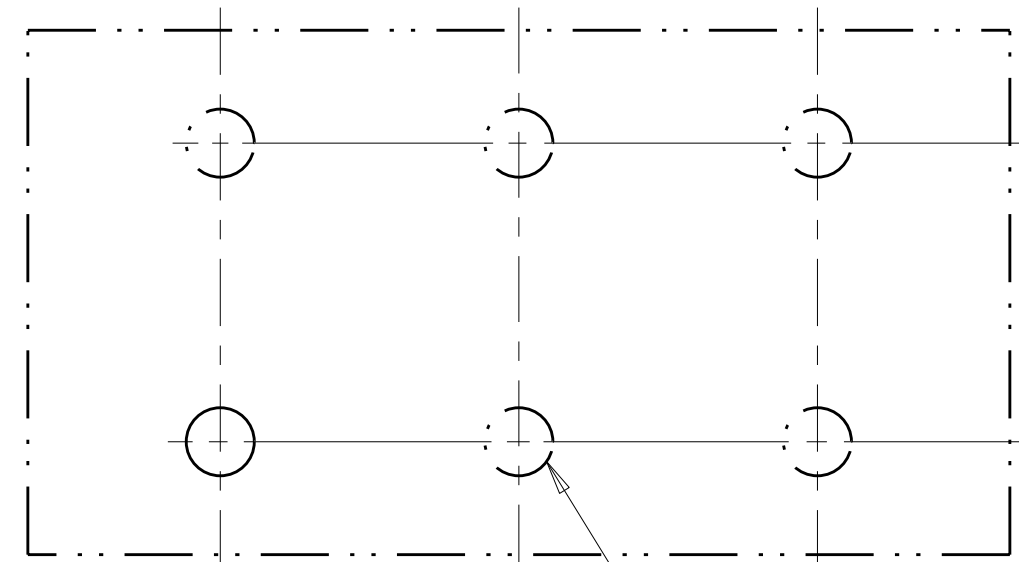


| LOC | DIST | REV | DATE | BY | APPD |
|-----|------|-----|-----------|----|------|
| CM | 00 | A | 27SEP2011 | KH | DY |



HOUSINGS 1445957, STACKED VERTICALLY (NOT INCLUDED)



TO BE DETERMINED BY CUSTOMER PER APPLICATION

EXPAND AS NECESSARY PER APPLICATION

7.90 [0.311]

RECOMMENDED BOARD LAYOUT

| | | | | | |
|----------------|---------------|---------------|---------------|---------------|-------------|
| 437.32 [0.678] | 0.00 [0.000] | 38.60 [1.520] | 17.80 [0.701] | 36.80 [1.449] | 1-1744128-2 |
| 380.24 [0.589] | 0.00 [0.000] | 34.50 [1.358] | 10.20 [0.402] | 33.00 [1.299] | 1-1744128-1 |
| 395.93 [0.614] | 56.40 [2.220] | 56.40 [2.220] | 0.00 [0.000] | 54.90 [2.161] | 1744128-3 |
| 347.26 [0.538] | 44.70 [1.760] | 44.70 [1.760] | 0.00 [0.000] | 43.20 [1.701] | 1744128-2 |
| 285.50 [0.443] | 29.70 [1.169] | 29.70 [1.169] | 0.00 [0.000] | 28.20 [1.110] | 1744128-1 |
| SURFACE AREA | DIM D | DIM C | DIM B | DIM A | PART NUMBER |



THIS DRAWING IS A CONTROLLED DOCUMENT.

DIMENSIONS: mm [INCHES]
 TOLERANCES UNLESS OTHERWISE SPECIFIED:
 9 PLC ±0.51 [0.020]
 2 PLC ±0.13 [0.005]
 5 PLC ±0.13 [0.005]
 4 PLC ±0.13 [0.005]
 ANGLES ±0°

MATERIAL: COPPER
 FINISH: BRIGHT TIN

DWN: R. WHITAKER 29JUL2008
 CHK: D. BOSSI 29JUL2008
 APVD: D. BOSSI 29JUL2008

NAME: PCB CONTACT, 25 AMP, POWER SERIES
 SIZE: A100779
 CAGE CODE: C=1744128
 DRAWING NO: 1744128-2

CUSTOMER DRAWING
 SCALE: 5:1
 SHEET: 1 OF 1
 REV: A